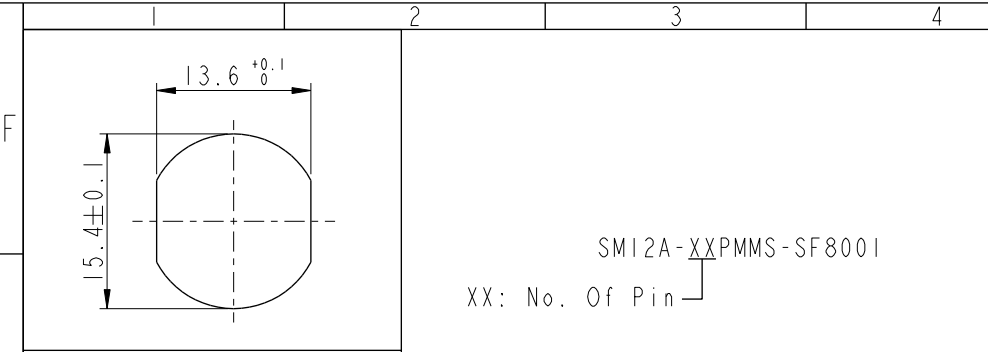


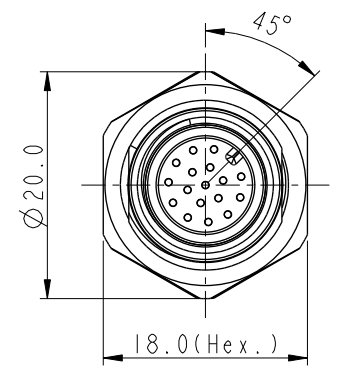
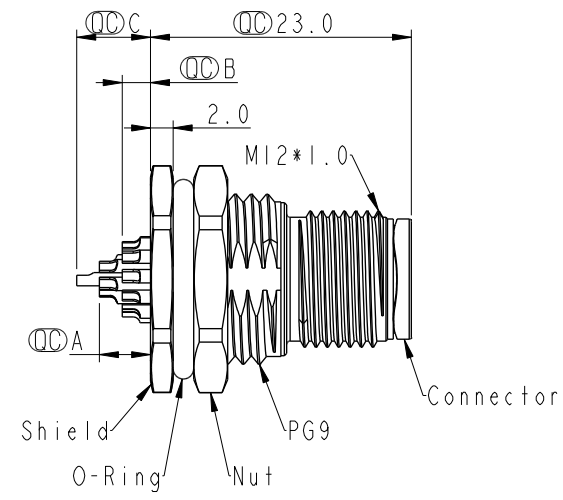
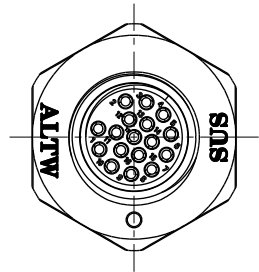
THIS DOCUMENT IS SUBJECT TO CHANGE WITHOUT NOTICE. IT IS CONFIDENTIAL AND A PROPERTY OF AMPHENOL LTW. DISCLOSURE TO THIRD PARTY HAS TO BE AUTHORIZED BY AMPHENOL LTW.

| | | | | |
|------|---------|------------|-----------|-----------------|
| REV. | ECN NO. | DATE | SIGN | DESCRIPTION |
| A | | 2021-08-13 | Allen Pan | Rev.01 To Rev.A |
| | | | | |



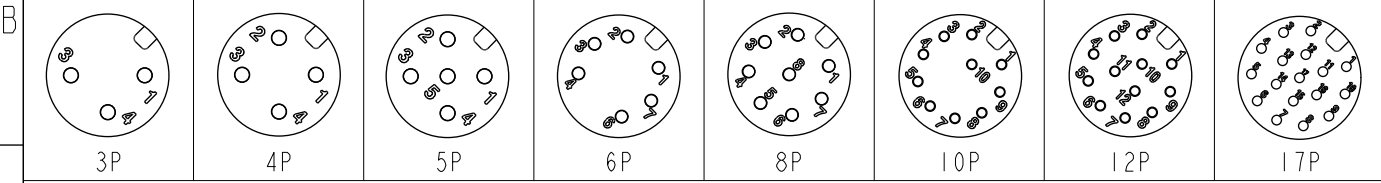
Recommended Panel Cut-Out

SM12A-XXPMMS-SF8001
XX: No. Of Pin



| | | | |
|---------------------|---------|-----|-----|
| SM12A-03PMMS-SF8001 | | 2.5 | |
| SM12A-04PMMS-SF8001 | | 2.5 | |
| SM12A-05PMMS-SF8001 | | 2.5 | |
| SM12A-06PMMS-SF8001 | | 2.5 | |
| SM12A-08PMMS-SF8001 | | 2.5 | |
| SM12A-10PMMS-SF8001 | 4.5 | 2.5 | |
| SM12A-12PMMS-SF8001 | 4.5 | 2.5 | |
| SM12A-17PMMS-SF8001 | 4.5 | 2.5 | 6.5 |
| Item No. | A | B | C |
| | Pin伸出長度 | | |

- Note:
- * RoHS Compliant
 - * \varnothing Important dimension
 - * Waterproof rate: IPX8, unmated 1m/24h
IPX9K, unmated
 - * Connector
Housing: Thermoplastic, Black
Pin: Copper alloy, Gold plated
 - * Shield: Metal
 - * Nut: Metal
 - * O-Ring: Rubber, Black
 - * For panel thickness max: 4.5mm
 - * Nut is packed separately in pe bag



UNIT: mm

TOLERANCE
.X ±0.25
.XX ±0.1
.XXX ±0.05
ANGLES ±1°

TITLE
N SEN, M12 A-STAINLESS, SCREW RECEPTACLE, M, M, SOLDER

SCALE 3:2 SIZE A4 SHEET 1 OF 1

REV. A WC-REV. A.1 \varnothing : Inspection item

Amphenol LTW
安費諾亮泰企業股份有限公司

| | | |
|---------------------|-------------|------------|
| ITEM NO. | DRAWN BY | DATE |
| | Allen Pan | 2021-08-13 |
| DWG NO. | CHECKED BY | DATE |
| SM12A-XXPMMS-SF8001 | Sam Ho | 2021-08-13 |
| CUSTOMER | APPROVED BY | DATE |
| ALTW | Fred Lee | 2021-08-13 |

X-ON Electronics

Largest Supplier of Electrical and Electronic Components

Click to view similar products for [Circular Metric Connectors](#) category:

Click to view products by [Amphenol](#) manufacturer:

Other Similar products are found below :

[600X518037X](#) [MA1EAF1200](#) [6STD15PCR99B70A](#) [8R4000A16M020](#) [8R4A00A18M020](#) [8R5000A16M005](#) [1200910008](#) [1200910011](#)
[1300140094](#) [130203-0054](#) [1300150099](#) [RF-12S1N8A90DU](#) [1-3637-600-5205](#) [1612618](#) [8R4006A16M010](#) [8R5006A18A120](#) [1604232](#)
[1R3006A20M005](#) [RF-12P1N8A80DU](#) [RF-12P1N8A90DU](#) [41-01016](#) [41-40011](#) [41-40017](#) [42-01015](#) [4-22279-4](#) [4-22281-1](#) [4-22284-9](#) [43-](#)
[00002](#) [43-01166](#) [41-40005](#) [41-40016](#) [43-00161](#) [43-01191](#) [XS3P-M421-2](#) [600X518050X](#) [SACC-DSI-FS-5P-PG9-L180 SC](#) [8R4006A16A120](#)
[8R4000A16M010](#) [RKC 50/16](#) [1R3004A20A1201](#) [6-22279-3](#) [N03FA03144](#) [1300140077](#) [XS8A-0441](#) [859RD04-103R004](#) [860RD04-113R004](#)
[860RD04-213R004](#) [860-X08-213R004](#) [1-213245-2](#) [2273142-2](#)