

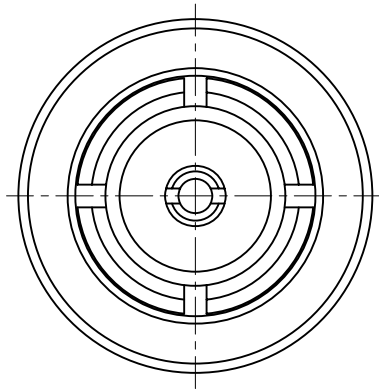
NOTES:

1. MATERIALS AND FINISHES
 BODY - BERYLLIUM COPPER, GOLD PLATING
 CONTACT - BERYLLIUM COPPER, GOLD PLATING
 INSULATOR - PTFE
2. ELECTRICAL:
 - A. IMPEDANCE: 50 OHM
 - B. FREQUENCY RANGE: DC -26.5 GHZ
 - C. VAWR(RETURN LOSS): 1.2(20.8 dB) MAX. DC-10 GHZ
 1.4(15.6 dB) MAX. 10-18 GHZ
 1.5(14 dB) MAX. 18-26.5 GHZ
 - D. DIELECTRIC WITHSTANDING VOLTAGE: 500 VRMS, MIN.
3. MECHANICAL:
 - A. DURABILITY: 100 CYCLES MIN.
 - B. ENGAGEMENT FORCE: 15 LBS.(67 N) MAX.
 - C. DISENGAGEMENT FORCE: 2 LBS.(9 N) MIN.
 - D. TEMPERATURE RANGE: - 65°C to +165°C
4. PACKAGE:
 - A. QUANTITY: SINGLE PACK
 - B. MARKING: AMPHENOL, SMP-FR-C06, DATE CODE
5. SEE AMPHENOL SPEC 349-50687 FOR CABLE ASSEMBLY INSTRUCTIONS.

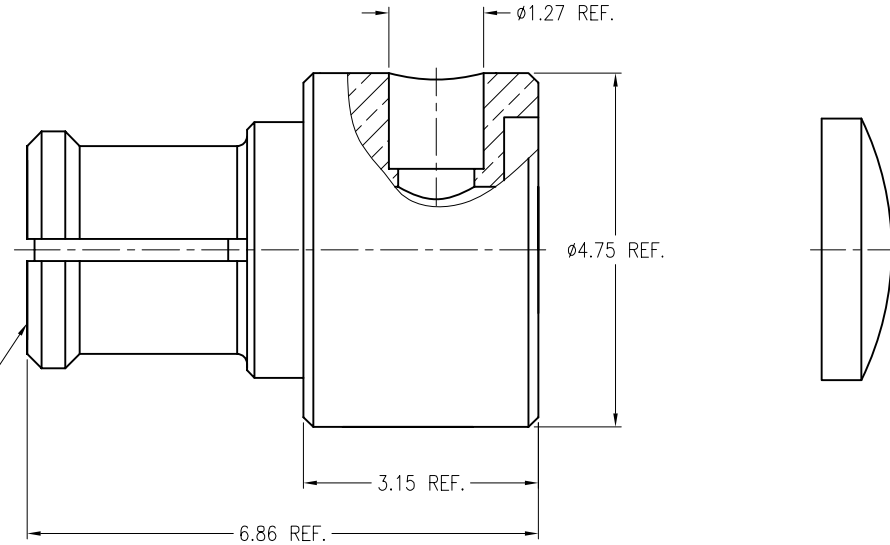
THIRD ANGLE PROJ.

REVISIONS

REV	DESCRIPTION	DATE	ECO	APPR
A	RELEASE TO MFG.	14-Mar-05	--	CW
B	REDRAWN TO UPDATE FORMAT/RD-DM09021901S1	23-Mar-09	47467	SH



INTERFACE PER MIL-STD-348 SERIES SMP



CUSTOMER OUTLINE DRAWING

ALL OTHER SHEETS ARE FOR INTERNAL USE ONLY

UNLESS OTHERWISE SPECIFIED, DIMENSIONS ARE IN METRIC AND TOLERANCES ARE:
 0.5 - 6mm ±0.1mm 6 - 30mm ±0.2mm 30 - 120mm ±0.3mm ANGLES ±1°

NOTICE - These drawings, specifications, or other data (1) are, and remain the property of Amphenol Corp. (2) must be returned upon request; and (3) are confidential and not to be disclosed to any person other than those to whom they are given by Amphenol Corp. The furnishing of these drawings, specifications, or other data by Amphenol Corp., or to any other person to anyone for any purpose is not to be regarded by implication or otherwise in any manner licensing, granting rights or permitting such holder or any other person to manufacture, use or sell any product, process or design, patented or otherwise, that may in any way be related to or disclosed by said drawings, specifications, or other data.

MATERIAL	DRAWN	DATE	TITLE			Amphenol RF Danbury CT USA, Tainan Taiwan, Shenzhen China www.amphenolrf.com
	S.XIE	14-Mar-05	SMP RIGHT ANGLE PLUG FOR .047 S.R. CABLE			
	ENGINEER	DATE				
	COASE.W	14-Mar-05				
REFERENCE GEN#ASSYF3_SMP EAR#322 & 1693 615X-1716	APPROVED	DATE	SCALE: 10/1	SHEET	2 OF 2	DRAWING NO.
	COASE.W	14-Mar-05	DWG SIZE	CODE ID	REV	ITEM NO.
	CAD FILE	F:\DWG\CNPD\SMP\FR\C06-BSZ	B	74868	B	SMP-FR-C06
FINISH						PART NO.
						SMP-FR-C06

X-ON Electronics

Largest Supplier of Electrical and Electronic Components

Click to view similar products for [RF Connectors / Coaxial Connectors](#) category:

Click to view products by [Amphenol](#) manufacturer:

Other Similar products are found below :

[8915-1511-000](#) [89674-0827](#) [6001-7071-019](#) [6002-7051-003](#) [6002-7551-202](#) [6059674-1](#) [619550-1](#) [630059-000](#) [M39030/3-01N](#) [M3933/25-36N](#) [6500-7071-046](#) [6769](#) [CX050L2AQ](#) [7002-1542-011](#) [7004-1512-000](#) [7009-1511-004](#) [7010-1511-000](#) [7029-1511-060](#) [7101-1541-010](#) [7101-1571-002](#) [7105-1521-002](#) [7145-1521-002](#) [7203-1571-003](#) [7209-1511-011](#) [7210-1511-015](#) [7210-1511-019](#) [73137-5015](#) [73216-2241](#) [7325-1512-000](#) [73404-2300](#) [7405-1521-005](#) [7405-1521-802](#) [7406-1521-005](#) [8527](#) [8547](#) [FS11V](#) [8808-1511-001](#) [9049-9513-000](#) [9074-9513-000](#) [9101-9573-002](#) [910A205F](#) [9130-9573-002](#) [PL11SC-026](#) [PL375-33](#) [PL40-5](#) [PL71-9](#) [PL74C-221](#) [PL75MC-217](#) [PL803-7](#) [980-8666-005](#)