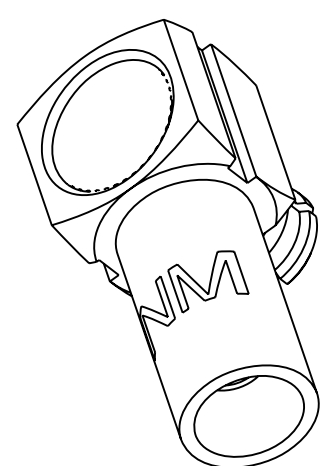
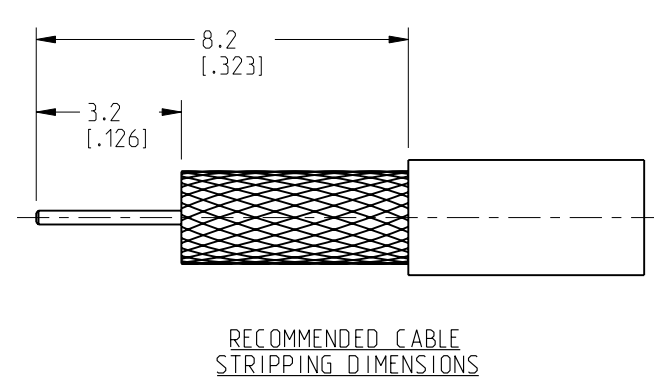
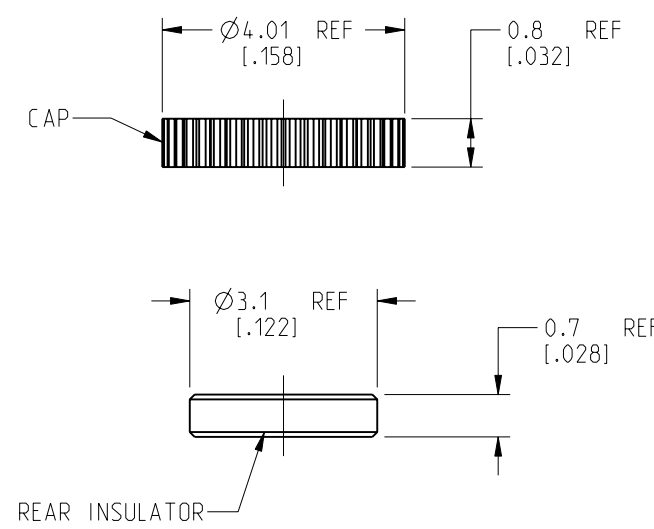


NOTES:

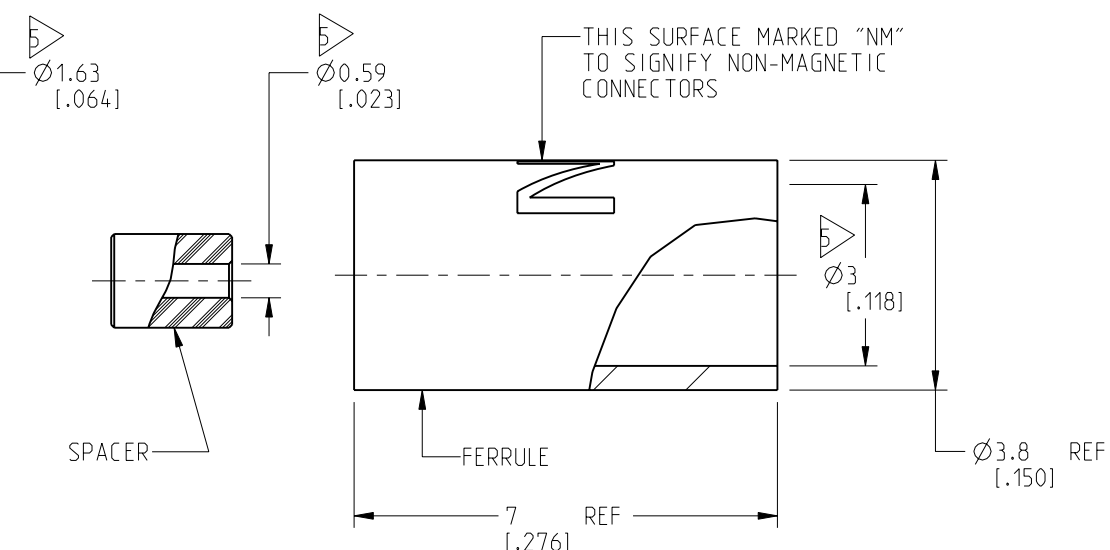
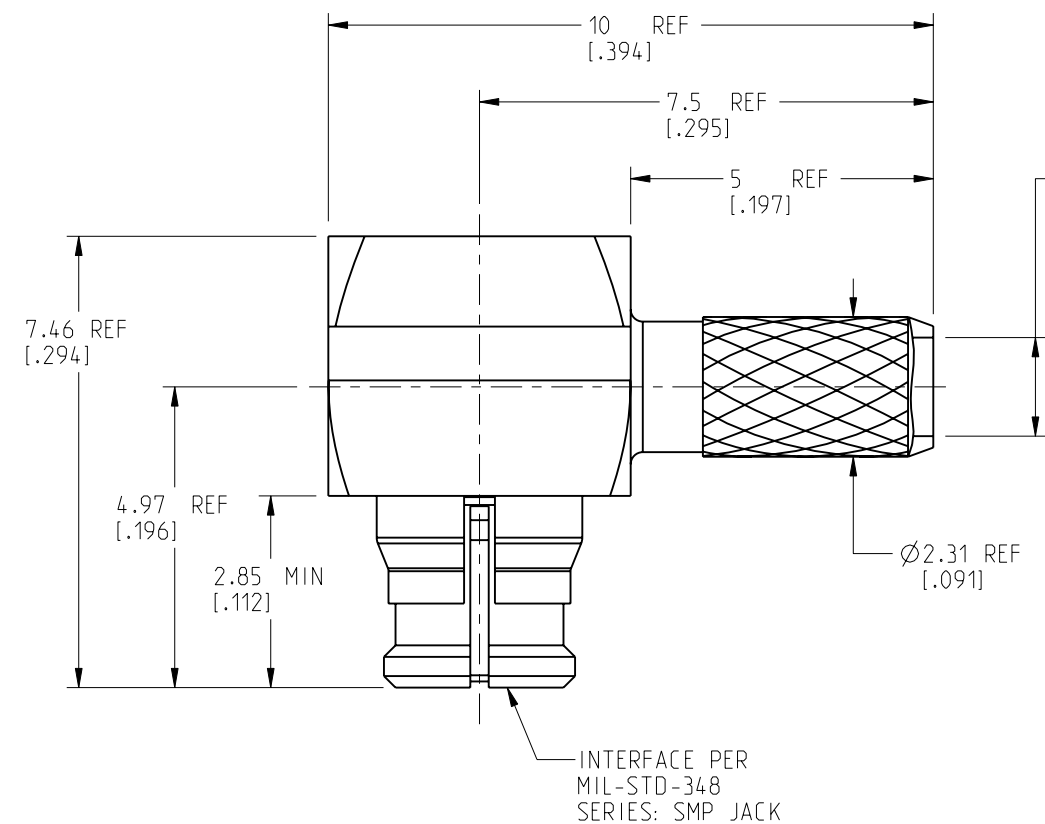
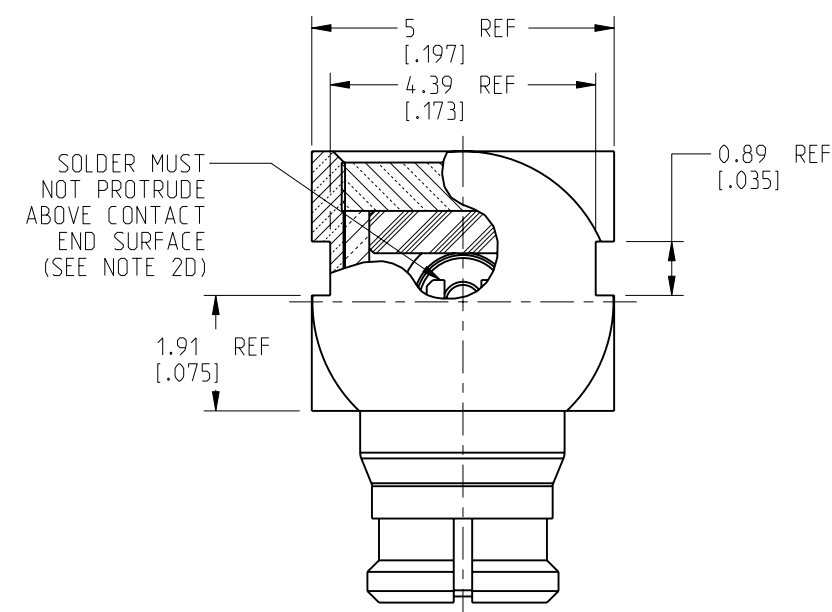
1. MATERIALS AND FINISHES:
 FERRULE - COPPER, GOLD PLATING
 RETAINING RING, COVER, HOUSING & BODY - BeCu, GOLD PLATING
 CONTACT PIN - BeCu, GOLD PLATING
 INSULATOR - PTFE, NATURAL
 SPACER - ULTEM, NATURAL
2. CABLE ASSEMBLY INSTRUCTIONS:
 A. TRIM CABLE AS SHOWN.
 B. SLIDE FERRULE AND SPACER ONTO CABLE.
 C. INSERT CABLE INTO BODY AND CRIMP BRAID OVER BODY USING .128" HEX.
 D. AFTER CRIMPING, SOLDER CABLE CENTER CONDUCTOR TO CONTACT, SOLDER MUST NOT PROTRUDE ABOVE CENTER CONTACT END SURFACE.
 E. PRESS REAR INSULATOR DISC INTO BODY UNTIL IT BOTTOMS.
 F. INSERT CAP UNTIL FLUSH WITH SURFACE OF HOUSING, INSERTION TOOLING MUST ENSURE THAT CAP SURFACE IS PARALLEL TO BODY SURFACE.
3. ELECTRICAL:
 A. IMPEDANCE: 50 OHMS
 B. FREQUENCY RANGE: DC - 12 GHz
 C. VSWR: -20 dB MIN @ DC - 4 GHz
 -18 dB MIN @ 4 - 12 GHz
4. PACKAGING:
 A. QUANTITY: SINGLE PACK
 B. MARKING: BAG TO BE MARKED
 "AMPHENOL RF, SMP-FR-C08-NM AND DATE CODE"
 C. CAP, REAR INSULATOR, SPACER AND FERRULE ARE PACKAGED LOOSE

5. SHOWS CABLE ENTRY DIMENSIONS.

REVISIONS				
REV	DESCRIPTION	DATE	ECN	BY
A	RELEASE TO MFG.	12-AUG-22	16294	SH



SCALE 5.000



CUSTOMER OUTLINE DRAWING

ALL OTHER SHEETS ARE FOR INTERNAL USE ONLY

NOTICE: These drawings, specifications, or other data (1) are, and remain the property of Amphenol corp. (2) must be returned upon request; and (3) are confidential and not to be disclosed to any person other than those to whom they are given by Amphenol Corp. The furnishing of these drawings, specifications, or other data by Amphenol Corp., or to any other person to anyone for any purpose is not to be regarded by implication or otherwise in any manner licensing, granting rights to permitting such holder or any other person to manufacture, use or sell any product, process or design, patented or otherwise, that may in any way be related to or disclosed by said drawings, specifications, or other data.			UNLESS OTHERWISE SPECIFIED DIMENSIONS ARE METRIC (INCHES) AND TOLERANCES ARE: <0.5mm = ±0.05mm [± 0.020 = ±0.002] 0.5 - 6mm = ±0.1mm [± 0.020 - 0.236 = ±0.004] >6.00 - 30mm = ±0.2mm [± 0.236 - 1.181 = ±0.008] >30.00 - 120mm = ±0.3mm [± 1.181 - 4.725 = ±0.012]			MATERIAL SMP R/A JACK FOR RG-316 CABLE, NON-MAGNETIC			TITLE SMP R/A JACK FOR RG-316 CABLE, NON-MAGNETIC			Amphenol RF																				
THIRD ANGLE PROJ.			REFERENCE SMP-FR-C08-2			ENGR.1 S.VO			ENGR.2 JACK LIANG			DATE 01-OCT-20			SHEET NO. 2 OF 2			SCALE: 8.0:1.0			DRAWING NO. SMP-FR-C08-NM			ITEM NO. SMP-FR-C08-NM			PART NO. SMP-FR-C08-NM			REV A		

X-ON Electronics

Largest Supplier of Electrical and Electronic Components

Click to view similar products for [RF Connectors / Coaxial Connectors](#) category:

Click to view products by [Amphenol](#) manufacturer:

Other Similar products are found below :

[89674-0827](#) [6059674-1](#) [630059-000](#) [6501-1071-002](#) [6769](#) [7002-1541-010](#) [7002-1572-002](#) [7004-1512-000](#) [7009-1511-004](#) [7101-1541-010](#)
[7101-1571-002](#) [7105-1521-002](#) [7203-1571-003](#) [7209-1511-011](#) [7210-1511-040](#) [7242-1511-000](#) [7405-1521-005](#) [7405-1521-802](#)
[804S01D04M040](#) [8527](#) [8547](#) [FS11V](#) [877931](#) [8808-1511-001](#) [9049-9513-000](#) [9074-9513-000](#) [PL11C-026](#) [PL40-36](#) [9408-1113-000](#) [980-](#)
[8666-005](#) [11 SMA-50-2-6 / 111 NE](#) [11 SMA-50-3-6 / 111 NE](#) [1-201144-1](#) [120919](#) [R107003010W](#) [R112186000](#) [R113053000W](#) [R113082097](#)
[R113236000](#) [R114083000](#) [R114670000W](#) [R123415000W](#) [R124076320](#) [R124076450](#) [R124175123](#) [R125075000W](#) [R125075001](#)
[R125172000W](#) [R125415030](#) [R141007161](#)