

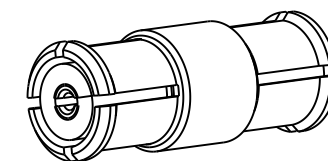
NOTES:

1. MATERIALS AND FINISHES:
 BODY & CONTACT - BeCu, GOLD PLATING
 INSULATORS - PTFE, NATURAL
2. ELECTRICAL:
 A. IMPEDANCE: 50 OHM
 B. FREQUENCY RANGE: DC - 40 GHz
 C. VSWR (RETURN LOSS) : 1.07 MAX. (-30 dB MIN) @ DC - 4 GHz
 1.22 MAX. (-20 dB MIN) @ 4 - 18 GHz
 1.43 MAX. (-15 dB MIN) @ 18 - 26.5 GHz
 1.50 MAX. (-14 dB MIN) @ 26.5 - 40 GHz
 D. DIELECTRIC WITHSTANDING VOLTAGE: 500 VRMS, MIN.

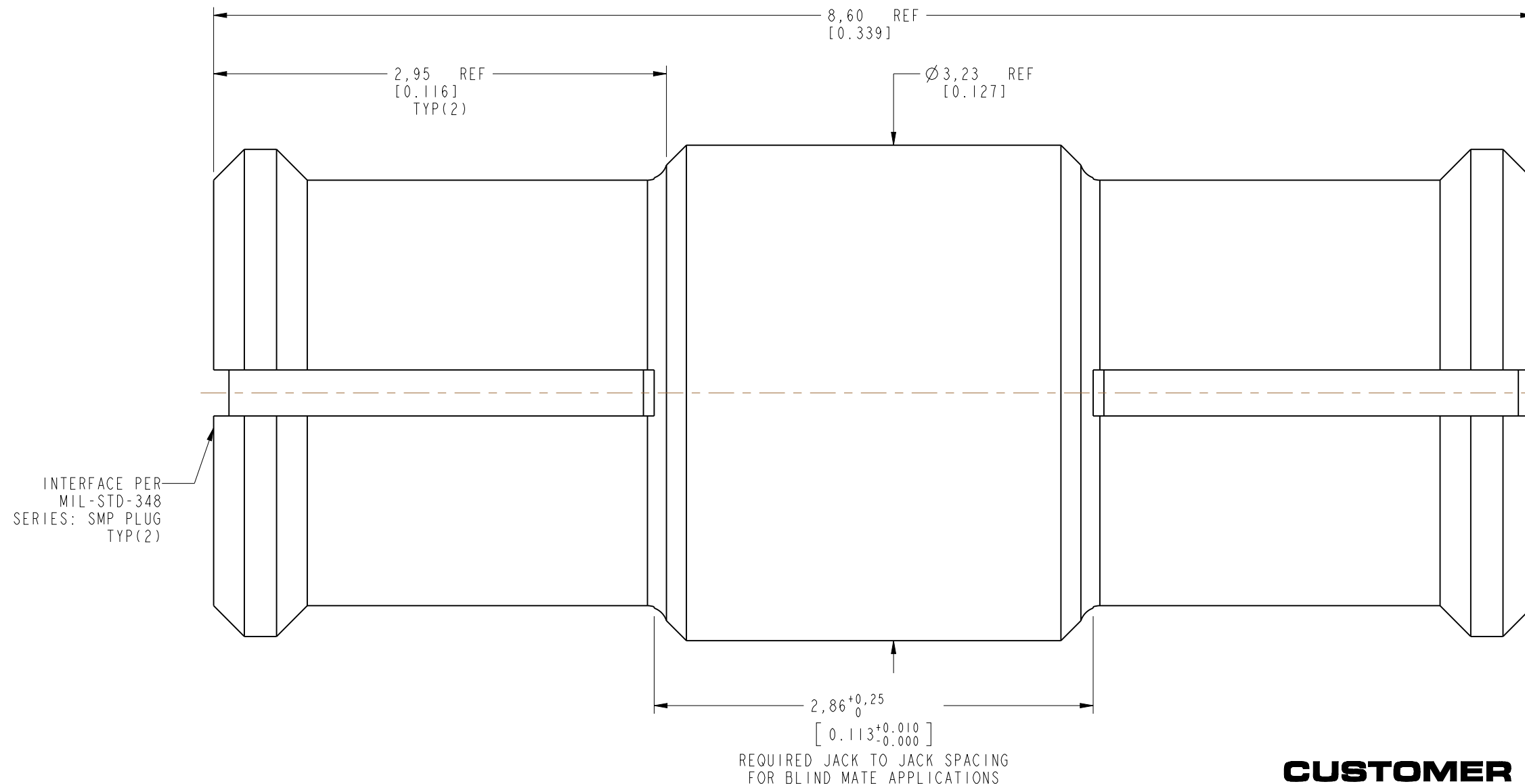
3. MECHANICAL:
 A. DURABILITY: 100 CYCLES MIN. WHEN MATED FULL DETENT JACK
 500 CYCLES MIN. WHEN MATED LIMITED DETENT JACK
 1000 CYCLES MIN. WHEN MATED A SMOOTH BORE JACK
 B. TEMPERATURE RANGE: -65°C TO +165°C
 C. MATING FORCES (PER DSCC #94007):
 ENGAGEMENT: FULL DETENT: 15 LBS (67 N) MAX. LIMITED DETENT: 10 LBS (45 N) MAX. SMOOTH BORE: 2 LBS (9 N) MAX.
 DISENGAGEMENT: FULL DETENT: 2 LBS (9 N) MIN. LIMITED DETENT: 2 LBS (9 N) MIN. SMOOTH BORE: 0.5 LBS (2.2 N) MIN.
4. PACKAGING:
 A. QUANTITY: SINGLE PACK
 B. MARKING: BAG TO BE MARKED
 "AMPHENOL RF, SMP-FS2A-860 AND DATE CODE
 ROHS DIRECTIVE 2011/65/EU COMPLIANT"

THIRD ANGLE PROJ.

REVISIONS				
REV	DESCRIPTION	DATE	ECN	APPR
A	RELEASE TO MFG.	09-Oct-19	13182	EH



SCALE 5.000



CUSTOMER OUTLINE DRAWING

ALL OTHER SHEETS ARE FOR INTERNAL USE ONLY

UNLESS OTHERWISE SPECIFIED, DIMENSIONS ARE IN METRIC AND TOLERANCES ARE: <0.5mm ±0.05mm 0.5 - 6mm ±0.1mm 6 - 30mm ±0.2mm 30 - 120mm ±0.3mm ANGLES ±1°	MATERIAL	DRAWN	DATE	TITLE		Amphenol RF www.amphenolrf.com
	SEE NOTES	KRISHNA S	21-Nov-18	SMP STR BULLET ASSEMBLY, 8.60 MM		
NOTICE - These drawings, specifications, or other data (1) are, and remain the property of Amphenol corp. (2) must be returned upon request; and (3) are confidential and not to be disclosed to any person other than those to whom they are given by Amphenol Corp. the furnishing of these drawings, specifications, or other data by Amphenol Corp., or to any other person to anyone for any purpose is not to be regarded by implication or otherwise in any manner licensing, granting rights to permitting such holder or any other person to manufacture, use or sell any product, process or design, patented or otherwise, that may in any way be related to or disclosed by said drawings, specifications, or other data.	REFERENCE	ENGINEER	DATE	SCALE: 30.0:1.0 SHEET 2 OF 2		DRAWING NO. SMP-FS2A-860
	EAR# 8528	KRISHNA S	21-Nov-18	DWG SIZE B		ITEM NO. SMP-FS2A-860
	REF: SMP-FSBA-897	APPROVED	K. CAPOZZI	DATE	REV A	PART NO. SMP-FS2A-860
	CONFIGURATION LEVEL: In Work	FINISH	CAD FILE	09-Oct-19		

X-ON Electronics

Largest Supplier of Electrical and Electronic Components

Click to view similar products for [RF Adapters - In Series](#) category:

Click to view products by [Amphenol](#) manufacturer:

Other Similar products are found below :

[5916-1103-603](#) [5918-1103-000](#) [5919-1503-000](#) [651A505](#) [82-5552](#) [9030-9523-502](#) [A0407000](#) [R114703000W](#) [R125704000](#) [R125771001](#)
[R141710000W](#) [R141723161](#) [R141730000](#) [R143730700](#) [R143770000](#) [R161703000W](#) [R161730000](#) [R161753000W](#) [R161791530W](#)
[R201705000](#) [R222705200](#) [R222M40010W](#) [R316754000](#) [R405006000](#) [R443162000](#) [AD78TL](#) [HRM-513S](#) [1996352-2](#) [2157155-1](#) [252169-75](#)
[AD158](#) [2101130-1](#) [252186](#) [R114704000W](#) [R114720000W](#) [R125705001](#) [R125705701](#) [R125771000](#) [R125771001W](#) [R125791501W](#)
[R127704001](#) [R127.870.001](#) [R127872001](#) [R141717000](#) [R142710000](#) [R142723000](#) [R143703000](#) [R143704000](#) [R143705700](#) [R143710000](#)