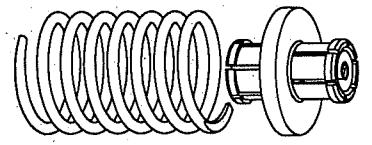


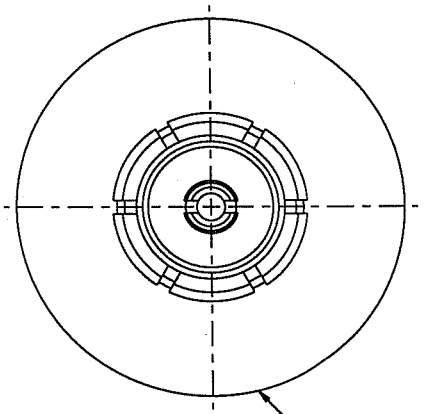
- NOTES:
- MATERIALS AND FINISHES (PLATING THICKNESS IN MICRO-INCHES):  
 BODY - BERYLLIUM COPPER, GOLD PLATING  
 CONTACT - BERYLLIUM COPPER, GOLD PLATING  
 INSULATOR - PTFE
  - ELECTRICAL:  
 A. IMPEDANCE: 50 OHM  
 B. FREQUENCY RANGE: DC - 26.5 GHz  
 C. VSWR (RETURN LOSS): 1.2 (20.8 dB), MAX. DC-10GHz  
                                   1.4 (15.6 dB), MAX. 10-18GHz  
                                   1.5 (14 dB), MAX. 18-26.5GHz  
 D. DIELECTRIC WITHSTANDING VOLTAGE: 500 VRMS, MIN.
  - PHYSICAL:  
 A. DURABILITY: 100 CYCLES MIN.  
 B. ENGAGEMENT FORCE: 15 LB [67 N] MAX  
 C. DISINGAGEMENT FORCE: 2 LB [9 N] MIN  
 E. TEMPERATURE RANGE: -65° C TO 165° C
  - PACKAGING:  
 A. QUANTITY: SINGLE PACK  
 B. MARKING: AMPHENOL, SMP-FSBA-594, DATE CODE

THIRD ANGLE PROJ.

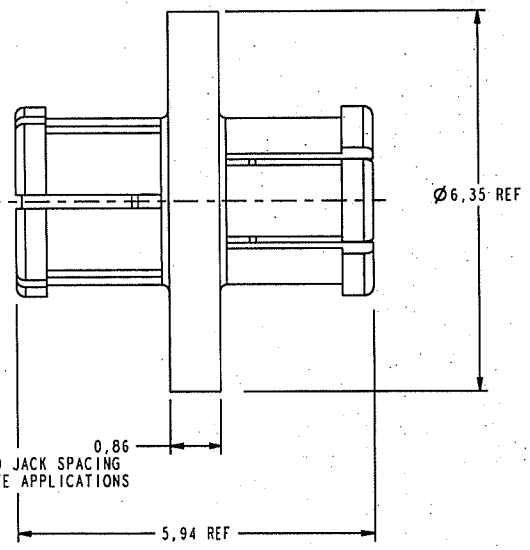
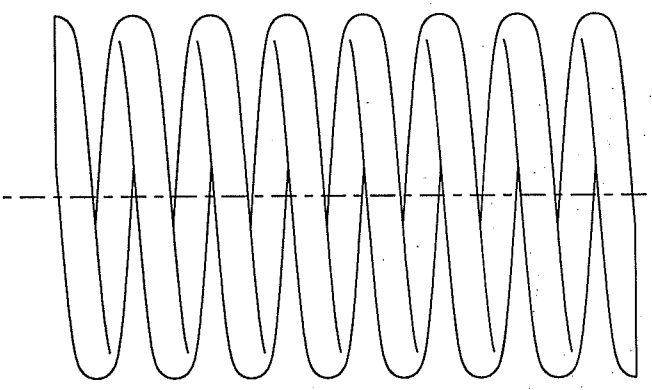
REVISIONS				
REV	DESCRIPTION	DATE	ECO	APPR
A	RELEASE TO MFG	20-Aug-06	47191	



SCALE 4.000



SPRING NOT SHOWN



**CUSTOMER OUTLINE DRAWING**  
 ALL OTHER SHEETS ARE FOR INTERNAL USE ONLY

UNLESS OTHERWISE SPECIFIED, DIMENSIONS ARE IN METRIC AND TOLERANCES ARE: 0.5 - 6mm ±0.1mm    6 - 30mm ±0.2mm    30 - 120mm ±0.3mm    ANGLES ±1° NOTICE - These drawings, specifications, or other data (1) are, and remain the property of Amphenol Corp. (2) must be returned upon request; and (3) are confidential and not to be disclosed to any person other than those to whom they are given by Amphenol Corp. The finishing of these drawings, specifications, or other data by Amphenol Corp. or to any other person for any purpose is not to be regarded by implication or otherwise in any manner licensing, granting rights to permitting such holder or any other person to manufacture, use or sell any product, process or design, patented or otherwise, that may in any way be related to or disclosed by said drawings, specifications, or other data.	MATERIAL  REFERENCE EAR # 1965 AND 615X-2227-900 CONFIGURATION LEVEL: Released	DRAWN H. PARIKH	DATE 09-Jun-06	TITLE SMP TYPE BULLET PLUG F-F	Amphenol RF Danbury CT USA, Tainan, Taiwan, Shenzhen, China www.amphenolrf.com
		ENGINEER H. PARIKH	DATE 09-Jun-06		
	FINISH	CAD FILE I:\SMP\SMP-FSBA-594	DWG SIZE B	CODE ID 74868	REV A
					DRAWING NO. SMP-FSBA-594 ITEM NO. SMP-FSBA-594 PART NO. SMP-FSBA-594

## X-ON Electronics

Largest Supplier of Electrical and Electronic Components

*Click to view similar products for [RF Adapters - In Series category:](#)*

*Click to view products by [Amphenol manufacturer:](#)*

Other Similar products are found below :

[5916-1103-603](#) [5918-1103-000](#) [5919-1503-000](#) [651A505](#) [82-5552](#) [9030-9523-502](#) [A0407000](#) [R114703000W](#) [R125704000](#) [R125771001](#)  
[R141710000W](#) [R141723161](#) [R141730000](#) [R143730700](#) [R143770000](#) [R161703000W](#) [R161730000](#) [R161753000W](#) [R161791530W](#)  
[R201705000](#) [R222705200](#) [R222M40010W](#) [R223703180](#) [R316754000](#) [R405006000](#) [R443162000](#) [AD78TL](#) [HRM-513S](#) [1996352-2](#)  
[2157155-1](#) [252169-75](#) [AD158](#) [2101130-1](#) [252186](#) [R114704000W](#) [R114720000W](#) [R125705001](#) [R125705701](#) [R125771000](#) [R125771001W](#)  
[R125791501W](#) [R127704001](#) [R127.870.001](#) [R127872001](#) [R141717000](#) [R142710000](#) [R142723000](#) [R143703000](#) [R143704000](#) [R143705700](#)