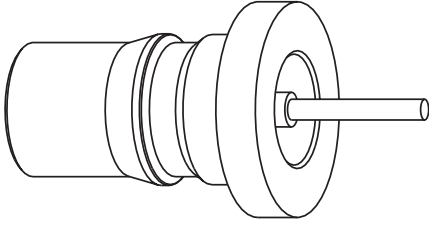
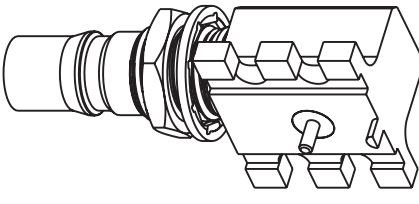




# Amphenol

## RF Interconnects

### QMA 50Ω Quick Disconnect Snap-on Version of SMA Continued

 <p><b>Straight PCB Jack</b></p>		 <p><b>Right Angle PCB Jack</b></p>		<b>Also Available</b>	
				<b>Part Number</b>	<b>Description</b>
<b>Part Number</b>	<b>Description</b>	<b>Part Number</b>	<b>Description</b>	<b>Part Number</b>	<b>Description</b>
930-102J-51P	Thru-Hole	930-111J-51P	Bulkhead R/A SMT	930-109J-51S	Flange Panel Mount Rec.
930-105J-51P	Press-Fit			930-128J-51P	R/A PCB Jack
930-107J-51P	Rec. (see diagram)			930-112J-51S	4-Hole Flange Receptacle
				<b>Adapters</b>	
				930-100A-51S	Jack to SMA Jack
				930-101A-51S	Plug to SMA Jack
				930-130A-51S	Plug to SMA Plug
				930-131A-51S	Jack to SMA Plug

### SSMB 50Ω Micro-miniature Snap-on System

Provides an excellent alternative for the SMA in a smaller package and quick termination.

#### Electrical

Impedance	- 50Ω
Frequency Range	- DC-12.4GHz
VSWR	- 1.05 DC – 3GHz
RF Leakage	- -80dB DC-3GHz
Power Handling	- 125 Watts @ 40°C

#### Materials

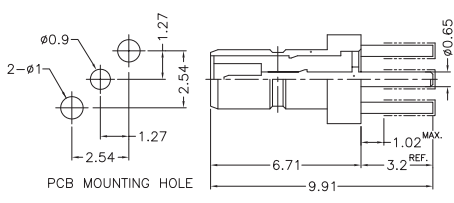
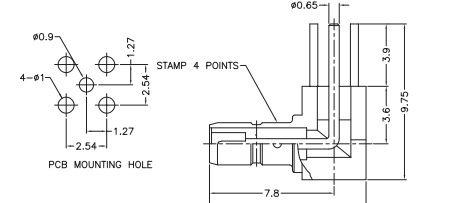
Body	- White Bronze over Brass
Solder Body	- Gold over Brass
Pin Contact	- Gold over Brass
Socket Contact	- Gold over Beryllium Copper
Outer Contact	- White Bronze over Copper
Insulator	- PTFE
Crimp Ferrule	- White Bronze over Copper

#### Features and Benefits

Light-weight	
Temperature	- -65°C ~ 165°C
Durability	- 500 Cycles

#### Applications

Base Stations, Instrumentation, Process Control, Cable assemblies, Mil-Aero, Telecom, Components and PC/LAN

Diagram not available at the time of printing		Diagram not available at the time of printing		Diagram not available at the time of printing	
<b>Straight Plug</b>		<b>Right Angle Plug</b>		<b>Straight Jack</b>	
<b>Part Number</b>	<b>Description</b>	<b>Part Number</b>	<b>Description</b>	<b>Part Number</b>	<b>Description</b>
904-110P51SX	RG316	904-111P-51AX	RG316	904-116J-51SX	RG196
904-114P51SX	RG179	904-115P-51AX	RG179		
Diagram not available at the time of printing					
<b>Right Angle Jack</b>		<b>Straight PCB Mount Jack</b>		<b>Right Angle PCB Mount Jack</b>	
<b>Part Number</b>	<b>Description</b>	<b>Part Number</b>	<b>Description</b>	<b>Part Number</b>	<b>Description</b>
904-112J-51AX	RG316	904-102J-51P	2-Leg	904-113J-51AX	4-Leg

### Mini SMB 75Ω Snap-on

Die-cast solution for low-cost non critical applications. Hex Crimp/Solder Termination.

#### Electrical

Impedance	- 75Ω
Frequency Range	- DC-2GHz
VSWR	- 1.33 max
RF Leakage	- -55dB @ 2GHz

#### Materials

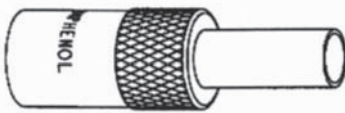
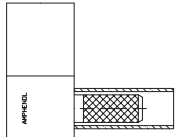
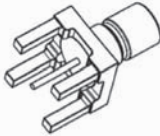
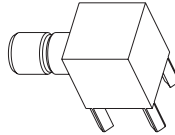
Body	- Gold over Brass
Centre Contact	- Nickel over Brass

#### Features and Benefits

Temperature	- -65°C ~ 165°C
Durability	- 500 Cycles

For Telecoms, Switch Equip and Networking

RF/ARFA

 <p><b>Straight Jack for RG179/187 &amp; Belden 9221</b></p>		 <p><b>Right Angle Jack for RG179/187 &amp; Belden 9221</b></p>	
<b>Part Number</b>	<b>903-600P-71S</b>	<b>Part Number</b>	<b>903-586P-71A</b>
 <p><b>Straight PCB Plug</b></p>		 <p><b>Right Angle PCB Plug</b></p>	
<b>Part Number</b>	<b>903-581J-71P</b>	<b>Part Number</b>	<b>903-601J-71P</b>

## X-ON Electronics

Largest Supplier of Electrical and Electronic Components

*Click to view similar products for [RF Adapters - In Series](#) category:*

*Click to view products by [Amphenol](#) manufacturer:*

Other Similar products are found below :

[5916-1103-603](#) [5918-1103-000](#) [5919-1503-000](#) [651A505](#) [82-5552](#) [9030-9523-502](#) [A0407000](#) [R114703000W](#) [R125704000](#) [R125771001](#)  
[R141710000W](#) [R141723161](#) [R141730000](#) [R143730700](#) [R143770000](#) [R161703000W](#) [R161730000](#) [R161753000W](#) [R161791530W](#)  
[R201705000](#) [R222705200](#) [R222M40010W](#) [R223703180](#) [R316754000](#) [R405006000](#) [R443162000](#) [AD78TL](#) [HRM-513S](#) [1996352-2](#)  
[2157155-1](#) [252169-75](#) [AD158](#) [2101130-1](#) [252186](#) [R114704000W](#) [R114720000W](#) [R125705001](#) [R125705701](#) [R125771000](#) [R125771001W](#)  
[R125791501W](#) [R127704001](#) [R127.870.001](#) [R127872001](#) [R141717000](#) [R142710000](#) [R142723000](#) [R143703000](#) [R143704000](#) [R143705700](#)