

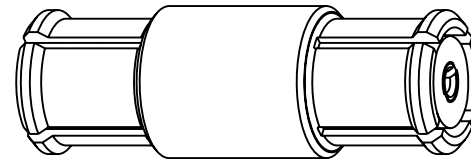
(NOTES:

1. MATERIALS AND FINISHES:  
 BODY - BeCu, GOLD PLATING, .000030 [0.8] THICK OVER NICKEL  
 CONTACT - BeCu, GOLD PLATING, .000030 [0.8] THICK OVER NICKEL  
 INSULATOR - PTFE
2. ELECTRICAL:  
 A. IMPEDANCE: 50 OHM  
 B. FREQUENCY RANGE: DC - 26.5 GHz  
 C. VSWR(RETURN LOSS): 1.2 (20.8 dB), MAX. DC-10GHz  
   1.4 (15.6 dB), MAX. 10-18GHz  
   1.5 (14 dB), MAX. 18-26.5GHz  
 D. DIELECTRIC WITHSTANDING VOLTAGE: 500 VRMS, MIN.
3. PHYSICAL:  
 A. DURABILITY: 100 CYCLES MIN.  
 B. ENGAGEMENT FORCE: 15 LB [67 N] MAX  
 C. DISENGAGEMENT FORCE: 2 LB [9 N] MIN  
 E. TEMPERATURE RANGE: -65° C TO 165° C
4. SINGLE PACKAGING:  
 A. QUANTITY: SINGLE PACK  
 B. MARKING: AMPHENOL, SMP-FSBA-990, YYWW
5. BULKPACK AS FOLLOWS:  
 A. QUANTITY: 100 PER BAG  
 B. MARK BAG OR TAG "SMP-FSBA-990B, QTY 100 & YYWW"

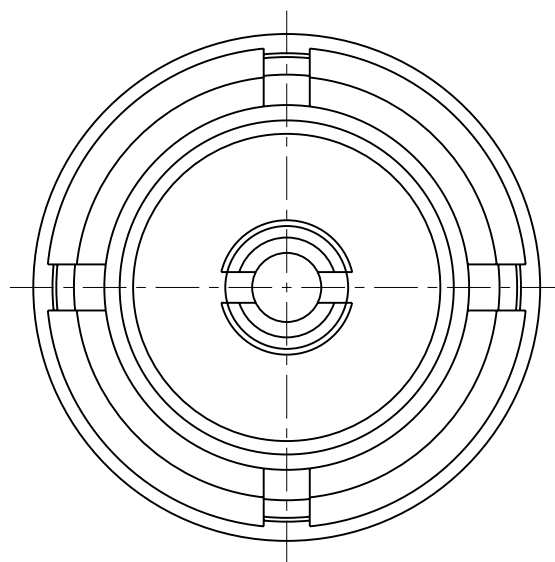
THIRD ANGLE PROJ.

REVISIONS

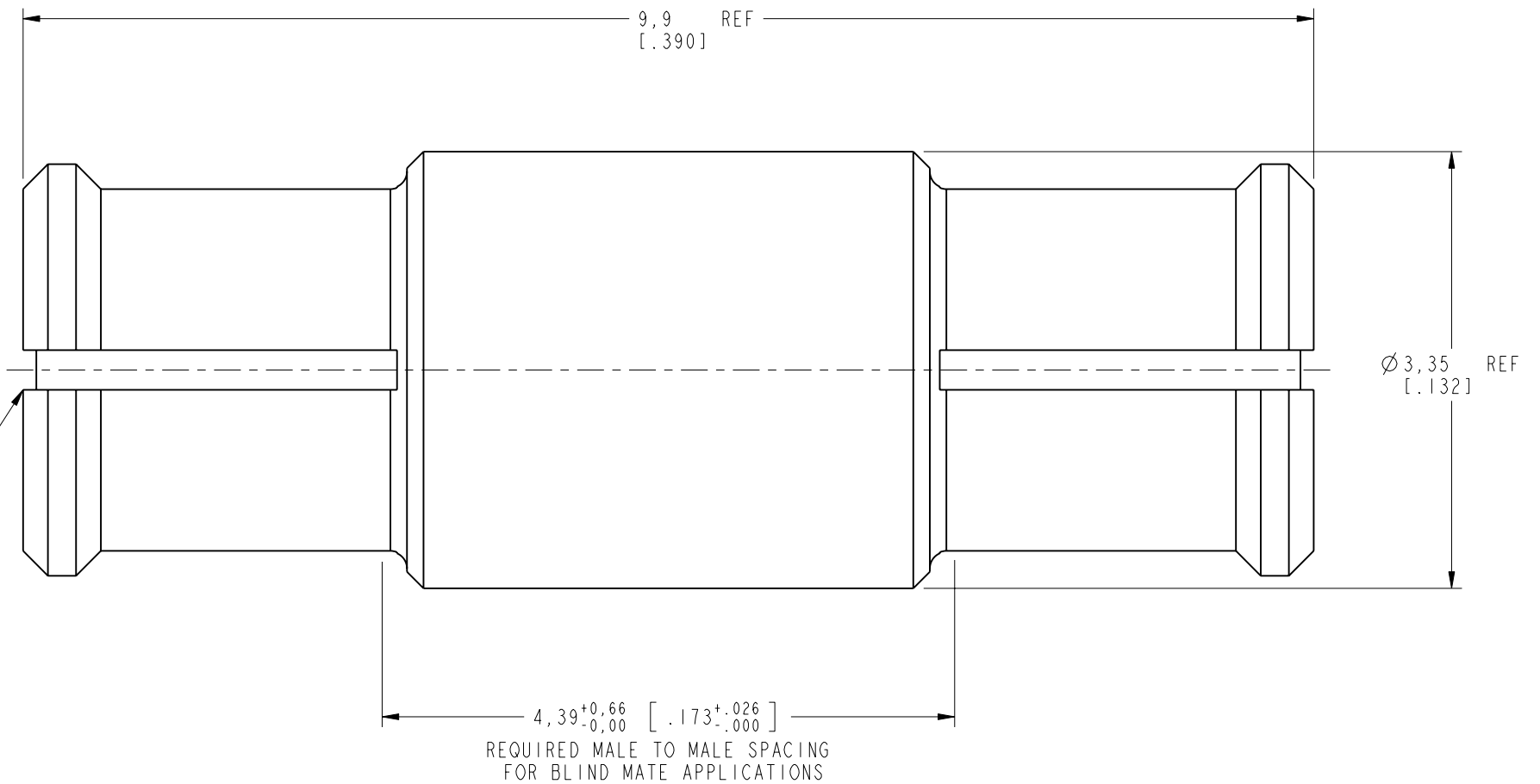
REV	DESCRIPTION	DATE	ECO	APPR
A	RELEASE TO MFG	2/13/03	44371	CPM
B	SEE SHEET 1	5/9/03	44466	CPM
C	CONTACT WAS CHANGED \RD-DM05072502R	07-25-05'		SH
D	SYNCH THE DRAWING WITH DANBURY \RD-DM11072801R3	23-Aug-11	48711	SH



SCALE 6.000



INTERFACE PER  
MIL-STD-348  
SERIES SMP  
(BOTH SIDES)



PART NUMBER	PACKAGING	REF NOTE
SMP-FSBA-990	1 PER BAG	NOTE 4
SMP-FSBA-990B	100 PER BAG	NOTE 5

**CUSTOMER OUTLINE DRAWING**  
**ALL OTHER SHEETS ARE FOR INTERNAL USE ONLY**

UNLESS OTHERWISE SPECIFIED, DIMENSIONS ARE IN METRIC AND TOLERANCES ARE: <0.5mm ±0.05mm    0.5 - 6mm ±0.1mm    6 - 30mm ±0.2mm    30 - 120mm ±0.3mm    ANGLES ±1°	MATERIAL	DRAWN R. MAO	DATE 16-Aug-11	TITLE SMP BULLET ADAPTER FEMALE TO FEMALE	Amphenol RF www.amphenolrf.com
	REFERENCE GEN# ASSYF4_SMP EAR# 866 615X-1783	ENGINEER OWEN BARTHELMES	DATE 2/13/03		
NOTICE - These drawings, specifications, or other data (1) are, and remain the property of Amphenol corp. (2) must be returned upon request; and (3) are confidential and not to be disclosed to any person other than those to whom they are given by Amphenol Corp. the furnishing of these drawings, specifications, or other data by Amphenol Corp., or to any other person to anyone for any purpose is not to be regarded by implication or otherwise in any manner licensing, granting rights to permitting such holder or any other person to manufacture, use or sell any product, process or design, patented or otherwise, that may in any way be related to or disclosed by said drawings, specifications, or other data.	FINISH	APPROVED S. HSIEH	DATE 16-Aug-11	SCALE: 20.0:1.0   SHEET 2 OF 2	ITEM NO. SMP-FSBA-990X
			CAD FILE		DWG SIZE B
					PART NO. SMP-FSBA-990-X

## X-ON Electronics

Largest Supplier of Electrical and Electronic Components

*Click to view similar products for [RF Adapters - In Series](#) category:*

*Click to view products by [Amphenol](#) manufacturer:*

Other Similar products are found below :

[5916-1103-603](#) [5918-1103-000](#) [5919-1503-000](#) [651A505](#) [82-5552](#) [9030-9523-502](#) [A0407000](#) [R114703000W](#) [R125704000](#) [R125771001](#)  
[R141710000W](#) [R141723161](#) [R141730000](#) [R143730700](#) [R143770000](#) [R161703000W](#) [R161730000](#) [R161753000W](#) [R161791530W](#)  
[R201705000](#) [R222705200](#) [R222M40010W](#) [R223703180](#) [R316754000](#) [R405006000](#) [R443162000](#) [AD78TL](#) [HRM-513S](#) [1996352-2](#)  
[2157155-1](#) [252169-75](#) [AD158](#) [2101130-1](#) [252186](#) [R114704000W](#) [R114720000W](#) [R125705001](#) [R125705701](#) [R125771000](#) [R125771001W](#)  
[R125791501W](#) [R127704001](#) [R127.870.001](#) [R127872001](#) [R141717000](#) [R142710000](#) [R142723000](#) [R143703000](#) [R143704000](#) [R143705700](#)