


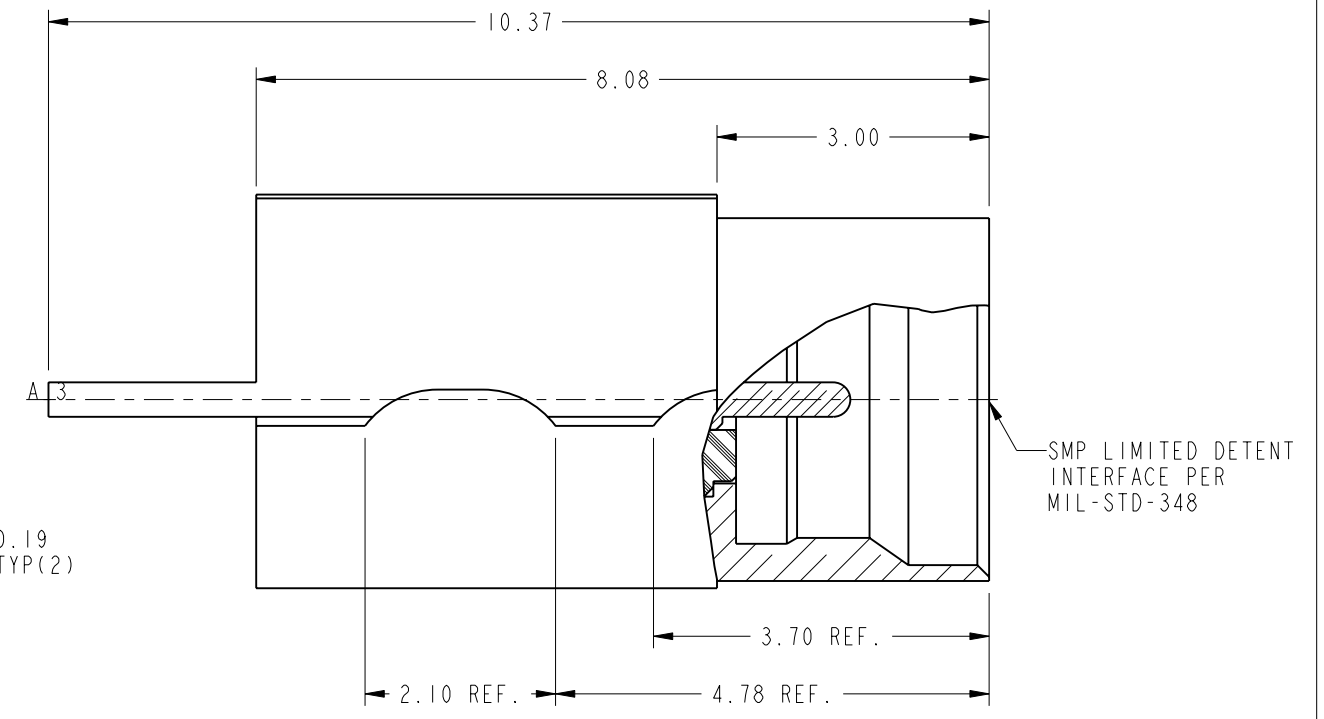
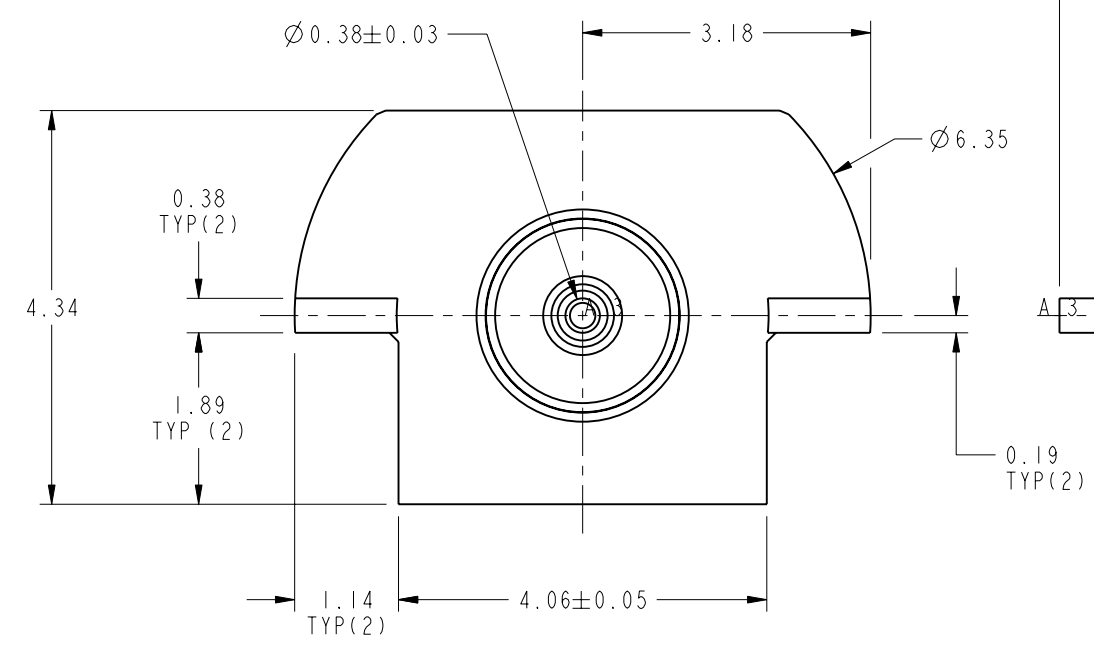
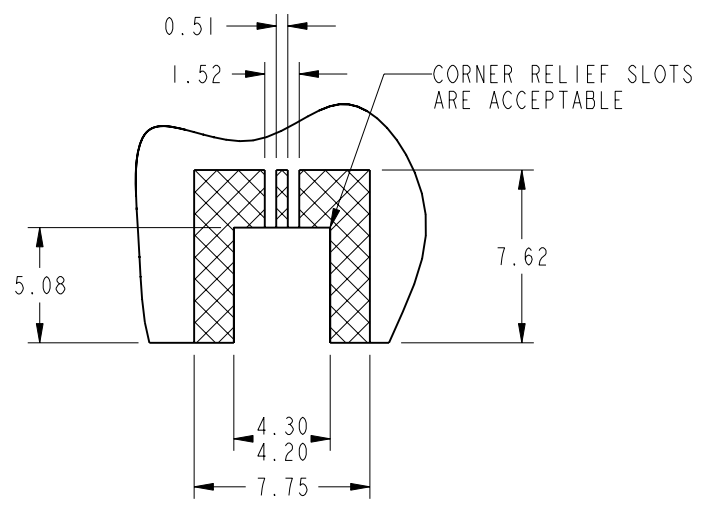
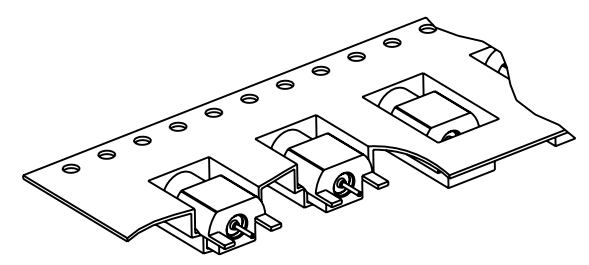
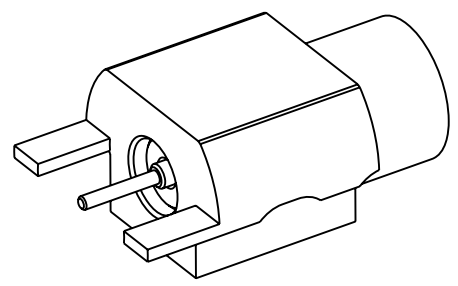
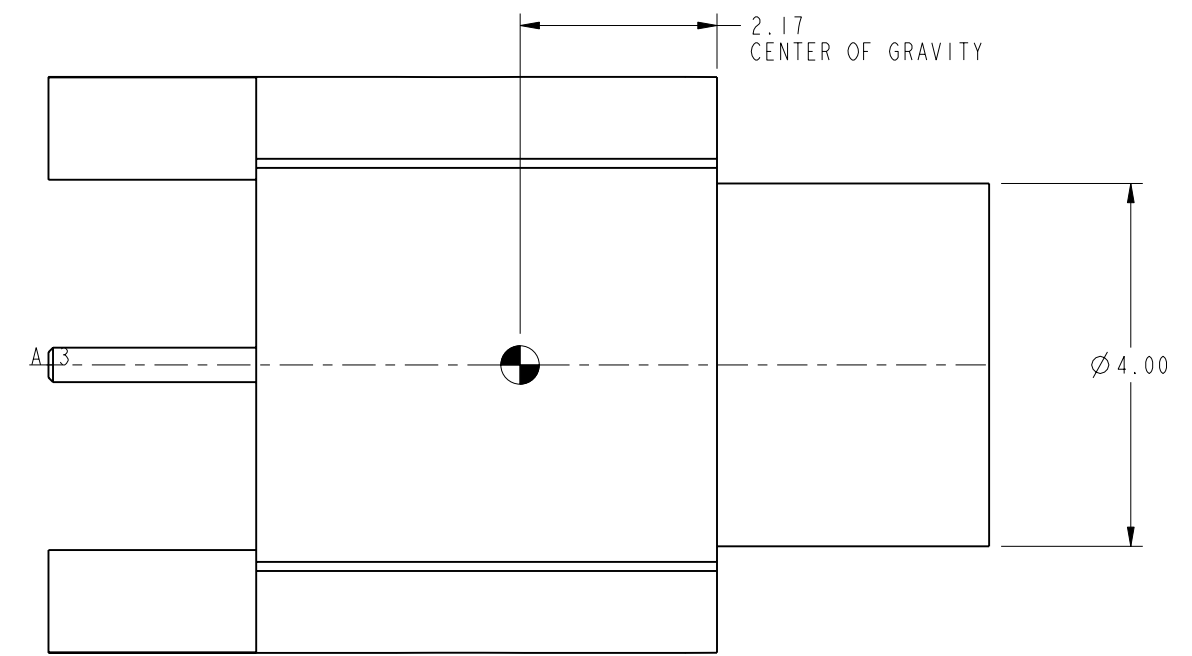
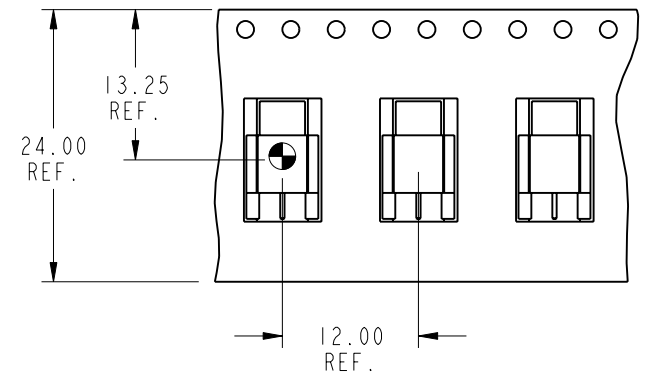
NOTES:

1. MATERIALS AND FINISHES:  
 BODY - BERYLLIUM COPPER, GOLD PLATING  
 CONTACT - BERYLLIUM COPPER, GOLD PLATING  
 INSULATOR - PTFE
2. ELECTRICAL:  
 A. IMPEDANCE: 50 OHM  
 B. FREQUENCY RANGE: DC - 18 GHz  
 C. VSWR: 1.15 FROM DC TO 6 GHz  
 1.25 FROM 6 GHz TO 18 GHz  
 D. DIELECTRIC WITHSTANDING VOLTAGE: 500 VRMS MIN
3. MECHANICAL:  
 A. TEMPERATURE RANGE: -65° C TO +165° C  
 B. DURABILITY: 500 CYCLES MIN.
4. : THE CENTER OF GRAVITY.
5. PACKAGING:  
 A. TAPE AND REEL: 13" REEL, 1000 PCS PER REEL  
 B. TAPE AND REEL TO BE MARKED  
 "AMPHENOL RF, SMP-MSLD-PCE-3, AND DATE CODE (YYWW)"

THIRD ANGLE PROJ. 

REVISIONS

REV	DESCRIPTION	DATE	ECO	APPR
A	RELEASE TO MFG.	19-Mar-14	49876	RM



**RECOMMENDED PCB CUT OUT AND TRACE**

**CUSTOMER OUTLINE DRAWING**  
 ALL OTHER SHEETS ARE FOR INTERNAL USE ONLY

UNLESS OTHERWISE SPECIFIED, DIMENSIONS ARE IN METRIC AND TOLERANCES ARE: < 0.5mm ± 0.05mm    0.5 - 6mm ± 0.1mm    6 - 30mm ± 0.2mm    30 - 120mm ± 0.3mm    ANGLES ± 1°	MATERIAL	DRAWN	DATE	TITLE ASSEMBLY, SMP JACK LIMITED DETENT EDGE MOUNT	Amphenol RF www.amphenolrf.com
	SEE NOTES	R. MAO	10-Mar-14		
NOTICE - These drawings, specifications, or other data (1) are, and remain the property of Amphenol corp. (2) must be returned upon request; and (3) are confidential and not to be disclosed to any person other than those to whom they are given by Amphenol Corp. the furnishing of these drawings, specifications, or other data by Amphenol Corp., or to any other person to anyone for any purpose is not to be regarded by implication or otherwise in any manner licensing, granting rights to permitting such holder or any other person to manufacture, use or sell any product, process or design, patented or otherwise, that may in any way be related to or disclosed by said drawings, specifications, or other data.	REFERENCE	ENGINEER	DATE	SCALE: 12.0:1.0	DRAWING NO. SMP-MSLD-PCE-3 ITEM NO. SMP-MSLD-PCE-3 PART NO. SMP-MSLD-PCE-3
	EAR #6036	T. SMITH	15-Oct-13	SHEET 2 OF 2	
	FINISH	APPROVED	DATE	DWG SIZE	REV
	S. HSIEH	19-Mar-14	B	A	

## X-ON Electronics

Largest Supplier of Electrical and Electronic Components

*Click to view similar products for [RF Connectors / Coaxial Connectors](#) category:*

*Click to view products by [Amphenol](#) manufacturer:*

Other Similar products are found below :

[8915-1511-000](#) [89674-0827](#) [6001-7071-019](#) [6002-7051-003](#) [6002-7551-202](#) [6059674-1](#) [619550-1](#) [630059-000](#) [M39030/3-01N](#) [6500-7071-046](#) [6769](#) [CX050L2AQ](#) [7002-1542-011](#) [7004-1512-000](#) [7009-1511-004](#) [7010-1511-000](#) [7029-1511-060](#) [7101-1541-010](#) [7101-1571-002](#) [7105-1521-002](#) [7145-1521-002](#) [7203-1571-003](#) [7209-1511-011](#) [7210-1511-015](#) [7210-1511-019](#) [73137-5015](#) [73216-2241](#) [73404-2300](#) [7405-1521-005](#) [7405-1521-802](#) [7406-1521-005](#) [8527](#) [8547](#) [FS11V](#) [8808-1511-001](#) [9049-9513-000](#) [9074-9513-000](#) [9101-9573-002](#) [910A205F](#) [9130-9573-002](#) [PL11SC-026](#) [PL375-33](#) [PL40-5](#) [PL71-9](#) [PL74C-221](#) [PL75MC-217](#) [PL803-7](#) [980-8666-005](#) [1200690078](#) [1-201144-1](#)