
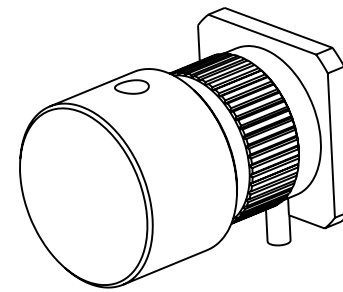


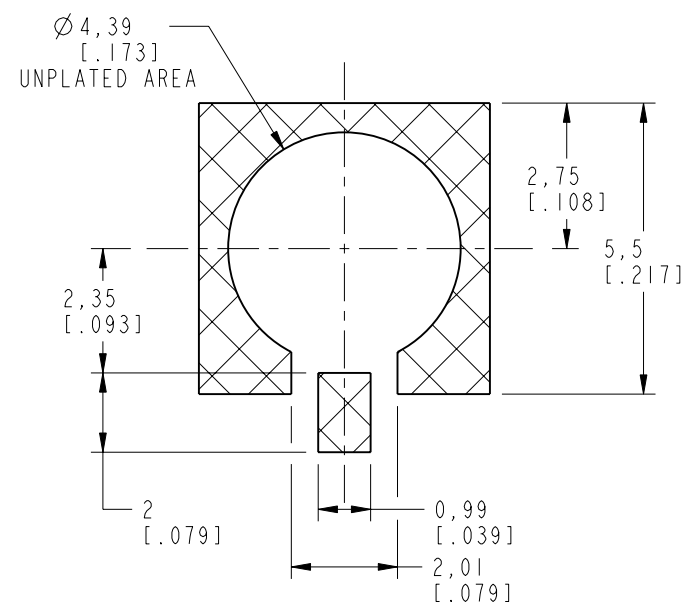
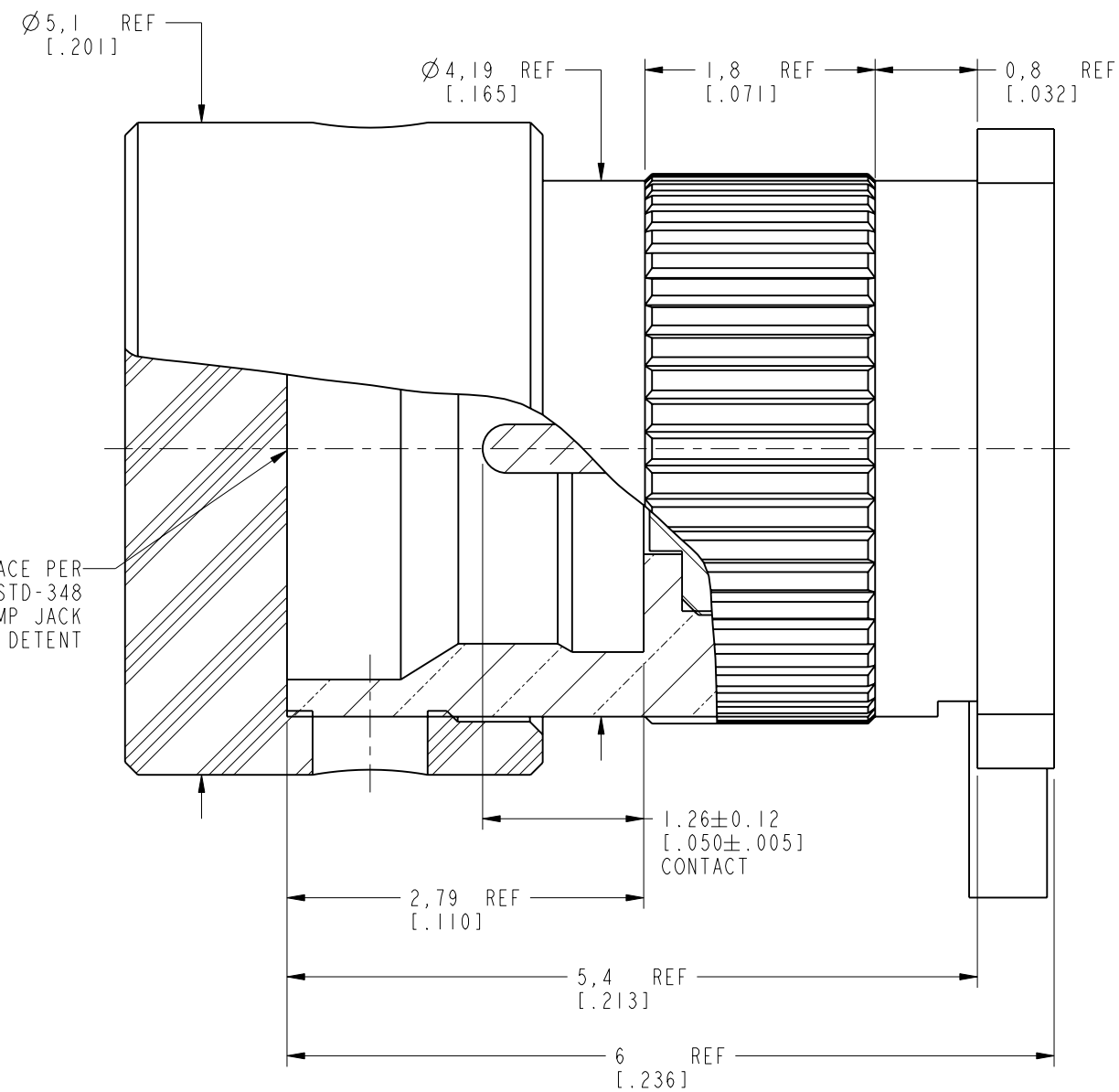
NOTES:

1. MATERIALS AND FINISHES:
 BODY - BRASS, GOLD PLATING
 CONTACT - BeCu, GOLD PLATING
 INSULATOR - PEEK, NATURAL
 CAP - PTFE, NATURAL
2. ELECTRICAL:
 A. IMPEDANCE: 50 OHM
 B. FREQUENCY RANGE: DC - 26.5 GHz
 C. VSWR(RETURN LOSS): 1.10 MAX (-26 dB MIN) @ DC - 6 GHz
 1.20 MAX (-21 dB MIN) @ 6 - 12 GHz
 CONNECTOR ONLY, PERFORMANCE WILL VARY
 BASED ON BOARD LAYOUT.
 D. DIELECTRIC WITHSTANDING VOLTAGE: 500 VRMS, MIN.
3. MECHANICAL:
 A. DURABILITY: 500 CYCLES MIN.
 B. TEMPERATURE RANGE: -65°C TO +165°C
 C. ENGAGEMENT FORCE: 10 LBS (45 N) MAX.
 D. DISENGAGEMENT FORCE: 2 LBS (9 N) MIN.
 E. INNER CONTACT RETENTION FORCE: 1.5 LBS [7 N] MIN.
4. PACKAGING:
 A. TAPE AND REEL PACKAGING, 700 PCS/REEL
 B. MARKING: REEL TO BE MARKED.
 "AMPHENOL RF, SMP-MSLD-PCR-IT & YYWW"

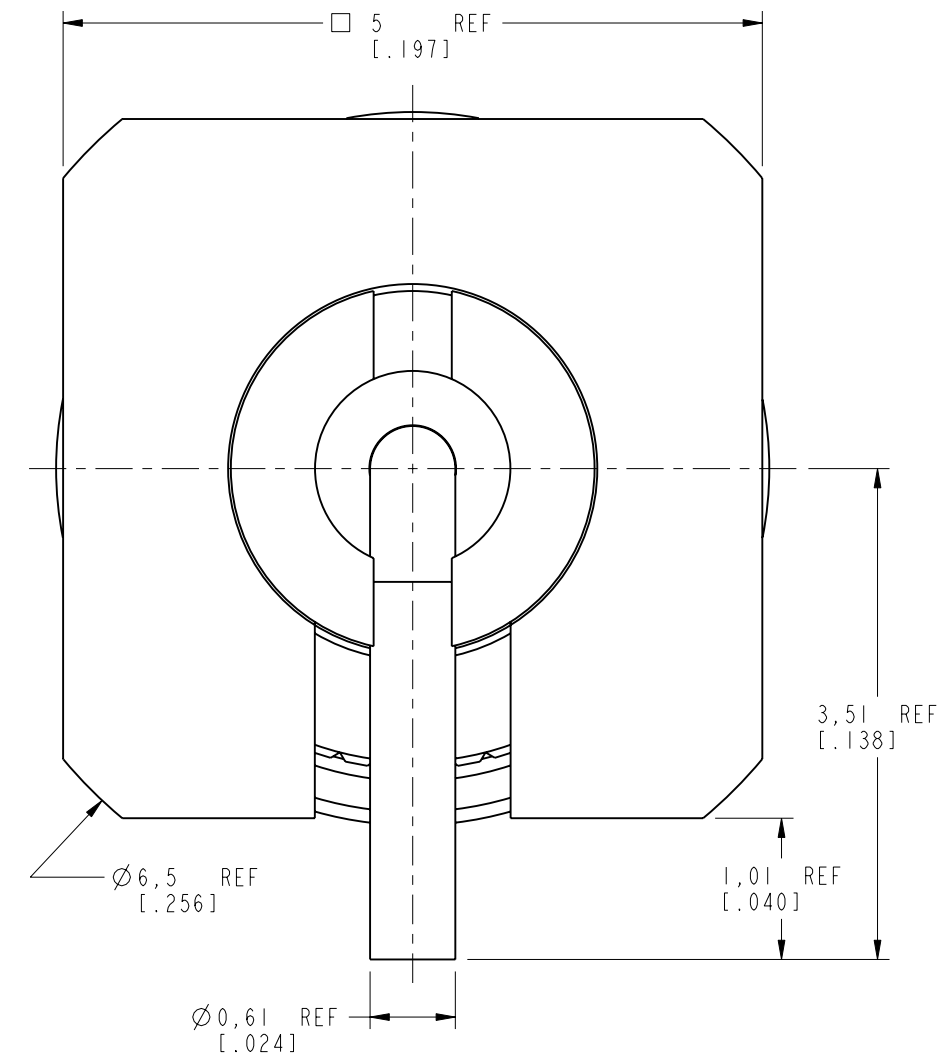
THIRD ANGLE PROJ. 



		REVISIONS		
REV	DESCRIPTION	DATE	ECN	APPR
A	RELEASE TO MFG.	01-Mar-19	10642	EH



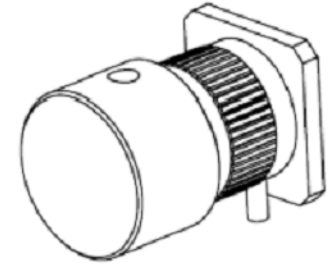
RECOMMENDED PCB LAYOUT DIMENSIONS



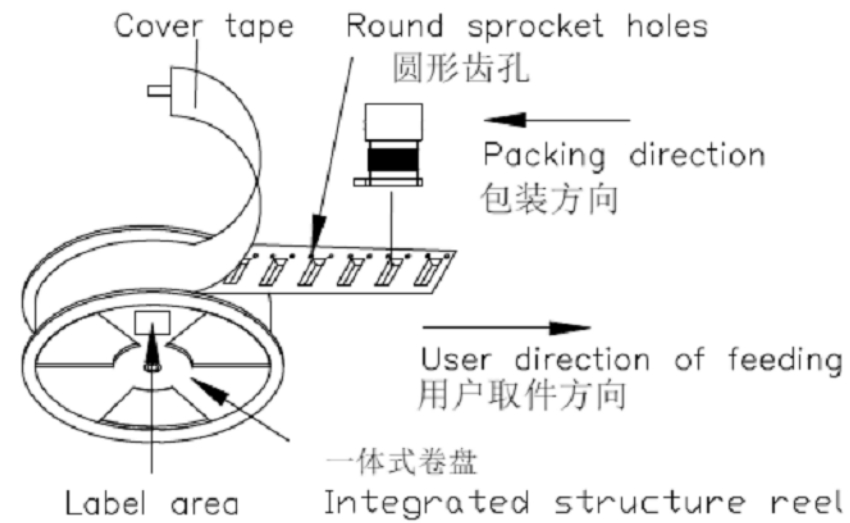
CUSTOMER OUTLINE DRAWING
 ALL OTHER SHEETS ARE FOR INTERNAL USE ONLY

UNLESS OTHERWISE SPECIFIED, DIMENSIONS ARE IN METRIC AND TOLERANCES ARE: <0.5mm ±0.05mm 0.5 - 6mm ±0.1mm 6 - 30mm ±0.2mm 30 - 120mm ±0.3mm ANGLES ±1°	MATERIAL	DRAWN	DATE	TITLE		Amphenol RF www.amphenolrf.com DRAWING NO. SMP-MSLD-PCR-IT ITEM NO. SMP-MSLD-PCR-IT PART NO. SMP-MSLD-PCR-IT
	SEE NOTES	M. ZHANG	01-Mar-19	SMP STR JACK PCB REAR MOUNT LIMITED DETENT (TAPE & REEL)		
	REFERENCE	ENGINEER	DATE	SCALE: 18.5:1.0 SHEET 2 OF 3		
NOTICE - These drawings, specifications, or other data (1) are, and remain the property of Amphenol corp. (2) must be returned upon request; and (3) are confidential and not to be disclosed to any person other than those to whom they are given by Amphenol Corp. the furnishing of these drawings, specifications, or other data by Amphenol Corp., or to any other person to anyone for any purpose is not to be regarded by implication or otherwise in any manner licensing, granting rights to permitting such holder or any other person to manufacture, use or sell any product, process or design, patented or otherwise, that may in any way be related to or disclosed by said drawings, specifications, or other data.	EAR# 8531 REF: SAME AS SMP-MSLD-PCR-T EXCEPT KNURLED BODY CONFIGURATION LEVEL: In Work	VIJAY N M APPROVED S.HSIEH CAD FILE	01-Jan-19 DATE 05-Mar-19	DWG SIZE B REV A		

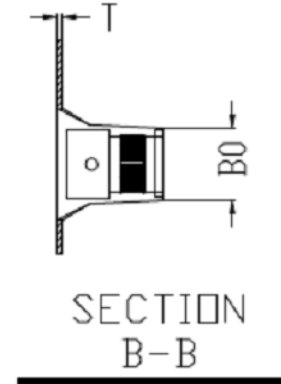
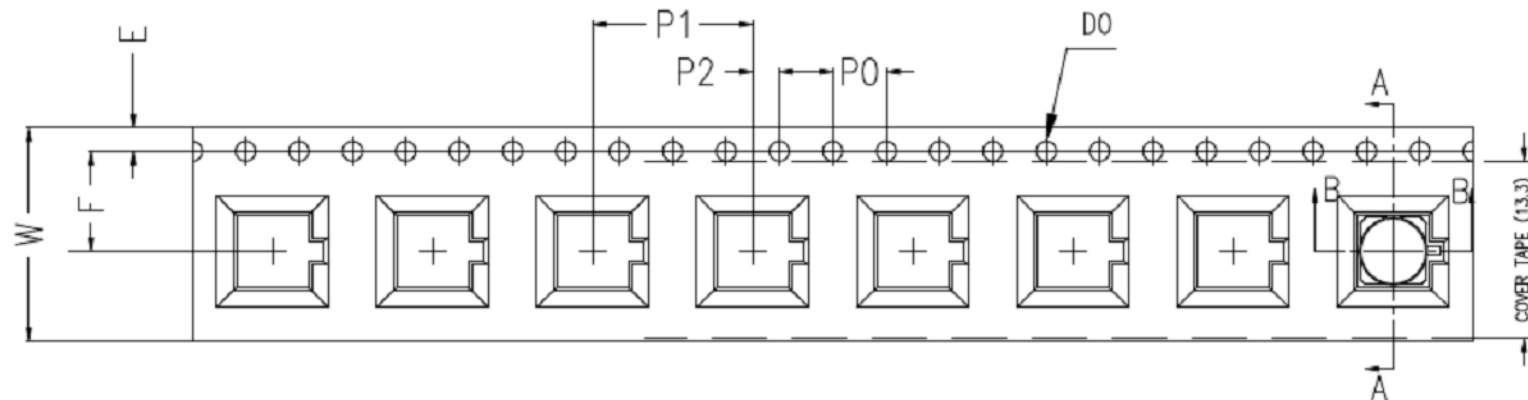
REV	DESCRIPTION	DATE	ECN	APPR
A	RELEASE TO MFG.	01-Mar-19	10642	EH



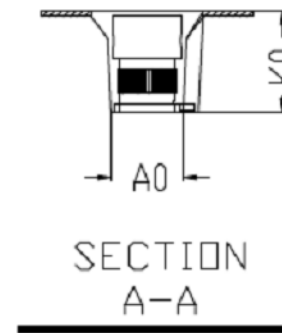
SMP-MSLD-PCR-1T



TAPE&REEL示意图



用户取件方向
User direction of feeding



1. 10 sprocket hole pitch cumulative tolerance $\pm 0.20\text{mm}$
2. Carrier camber not to exceed 1mm in 250mm.
3. A_0 and B_0 measured on a plane 0.3mm above the bottom of the pocket.
4. K_0 measured from a plane on the inside bottom of the pocket to the top surface of the carrier.
5. All dimensions meet EIA-481-D requirements.
6. Material: Black Conductive Polystyrene.
7. Thickness: $0.40 \pm 0.05 \text{ mm}$.
8. Packing length per 13" reel: 9.12Meters.
9. Component loader per 13" reel: 700PCS.

注:未注公差为 ± 0.10
NOTE: ALL TOLERANCES ARE: ± 0.10 , EXCEPT WHERE NOTED

ITEM	W	A_0	B_0	K_0	K_1	P_1	F	E	D_0	D_1	P_0	P_2	T
DIM	16.0 ± 0.3	5.4 ± 0.1	5.4 ± 0.1	7.55 ± 0.1		12.0 ± 0.1	7.5 ± 0.1	1.75 ± 0.1	$1.50^{+0.10}_{-0.00}$		4.00 ± 0.1	2.00 ± 0.1	0.4 ± 0.05

UNLESS OTHERWISE SPECIFIED, DIMENSIONS ARE IN METRIC AND TOLERANCES ARE:
 <0.5mm $\pm 0.05\text{mm}$ 0.5 - 6mm $\pm 0.1\text{mm}$ 6 - 30mm $\pm 0.2\text{mm}$ 30 - 120mm $\pm 0.3\text{mm}$ ANGLES $\pm 1^\circ$

NOTICE - These drawings, specifications, or other data (1) are, and remain the property of Amphenol corp. (2) must be returned upon request; and (3) are confidential and not to be disclosed to any person other than those to whom they are given by Amphenol Corp. the furnishing of these drawings, specifications, or other data by Amphenol Corp., or to any other person to anyone for any purpose is not to be regarded by implication or otherwise in any manner licensing, granting rights to permitting such holder or any other person to manufacture, use or sell any product, process or design, patented or otherwise, that may in any way be related to or disclosed by said drawings, specifications, or other data.

MATERIAL SEE NOTES	DRAWN M. ZHANG	DATE 01-Mar-19	TITLE SMP STR JACK PCB REAR MOUNT LIMITED DETENT (TAPE & REEL)	Amphenol RF www.amphenolrf.com
REFERENCE EAR# 8531	ENGINEER VIJAY N M	DATE 01-Jan-19	SCALE: 18.5:1.0 SHEET 3 OF 3	
REF: SAME AS SMP-MSLD-PCR-T EXCEPT KNURLED BODY	APPROVED S. HSIEH	DATE 05-Mar-19	DWG SIZE B	DRAWING NO. SMP-MSLD-PCR-IT
CONFIGURATION LEVEL: In Work	CAD FILE		REV A	ITEM NO. SMP-MSLD-PCR-IT
FINISH				PART NO. SMP-MSLD-PCR-IT

X-ON Electronics

Largest Supplier of Electrical and Electronic Components

Click to view similar products for [RF Connectors / Coaxial Connectors](#) category:

Click to view products by [Amphenol](#) manufacturer:

Other Similar products are found below :

[8915-1511-000](#) [89674-0827](#) [6001-7071-019](#) [6002-7051-003](#) [6002-7551-202](#) [6059674-1](#) [619550-1](#) [630059-000](#) [M39030/3-01N](#) [M3933/25-36N](#) [6500-7071-046](#) [6769](#) [CX050L2AQ](#) [7002-1542-011](#) [7004-1512-000](#) [7009-1511-004](#) [7010-1511-000](#) [7029-1511-060](#) [7101-1541-010](#) [7101-1571-002](#) [7105-1521-002](#) [7145-1521-002](#) [7203-1571-003](#) [7209-1511-011](#) [7210-1511-015](#) [7210-1511-019](#) [73137-5015](#) [73216-2241](#) [7325-1512-000](#) [73404-2300](#) [7405-1521-005](#) [7405-1521-802](#) [7406-1521-005](#) [8527](#) [8547](#) [FS11V](#) [8808-1511-001](#) [9049-9513-000](#) [9074-9513-000](#) [9101-9573-002](#) [910A205F](#) [9130-9573-002](#) [PL11SC-026](#) [PL375-33](#) [PL40-5](#) [PL71-9](#) [PL74C-221](#) [PL75MC-217](#) [PL803-7](#) [980-8666-005](#)