

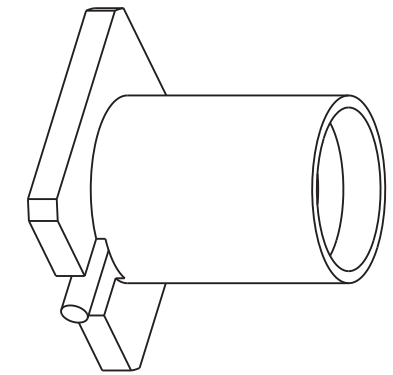
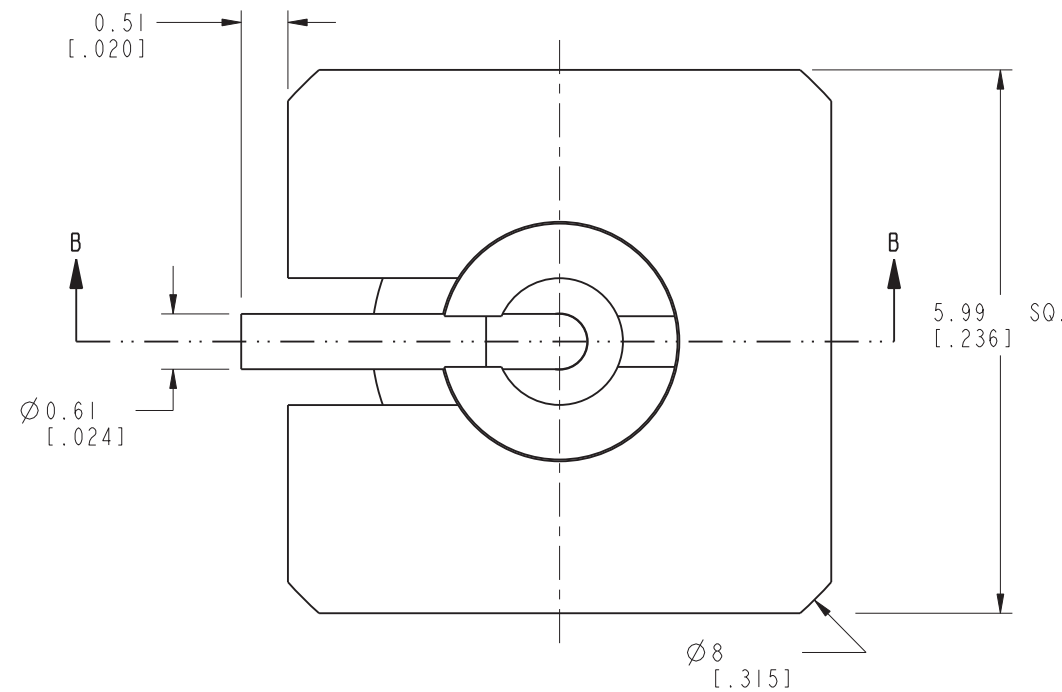
NOTES:

1. MATERIALS AND FINISHES:
 - BODY - BRASS, GOLD PLATING, .000030 INCH [0.0008 MM] THICK OVER COPPER
 - CONTACT - BERYLLIUM COPPER, GOLD PLATING, .000030 INCH [0.0008 MM] THICK OVER COPPER
 - INSULATOR - PEEK OR LCP, NATURAL
2. ELECTRICAL:
 - A. IMPEDANCE: 50 OHM
 - B. FREQUENCY RANGE: DC - 12 GHz
 - C. VSWR(RETURN LOSS): 1.10 (26 dB), MAX. DC-6GHz
1.20 (21 dB), MAX. 6-12GHz
 - D. DIELECTRIC WITHSTANDING VOLTAGE: 500 VRMS, MIN.
3. PHYSICAL:
 - A. DURABILTIY: 500 CYCLES MIN.
 - B. ENGAGEMENT FORCE: 10 LB [45 N] MAX
 - C. DISENGAGEMENT FORCE: 2 LB [9 N] MIN
 - D. INNER CONTACT RETENTION FORCE: 1.5 LB [7 N] MIN
 - E. TEMERATURE RANGE: -65° C TO 165° C
 - F. INSULATOR MATERIAL RATED TO UL94 V-0
4. PACKAGING:
 - A. QUANTITY: SINGLE PACK
 - B. MARKING: AMPHENOL, SMP-MSLD-PCR, DATE CODE

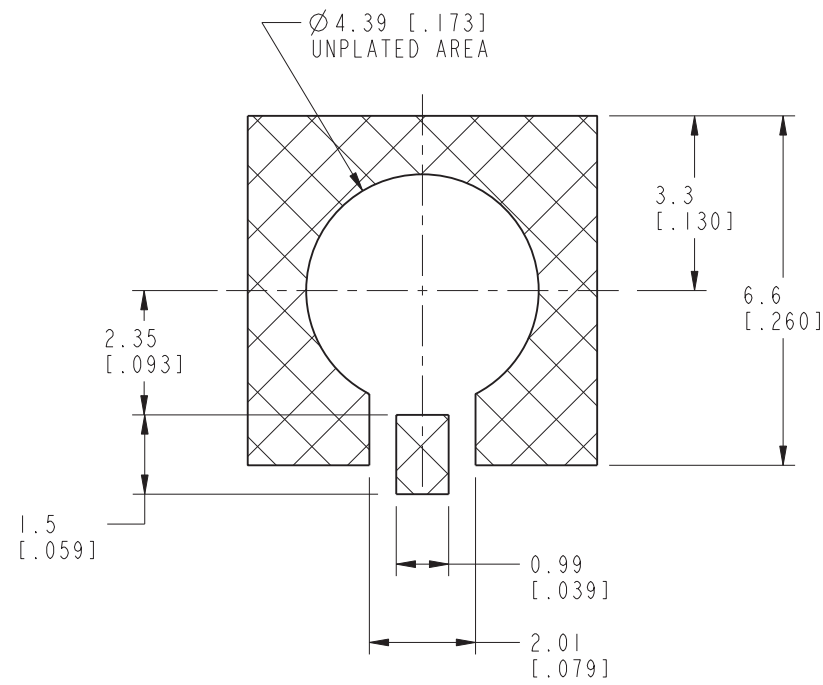
THIRD ANGLE PROJ.

REVISIONS

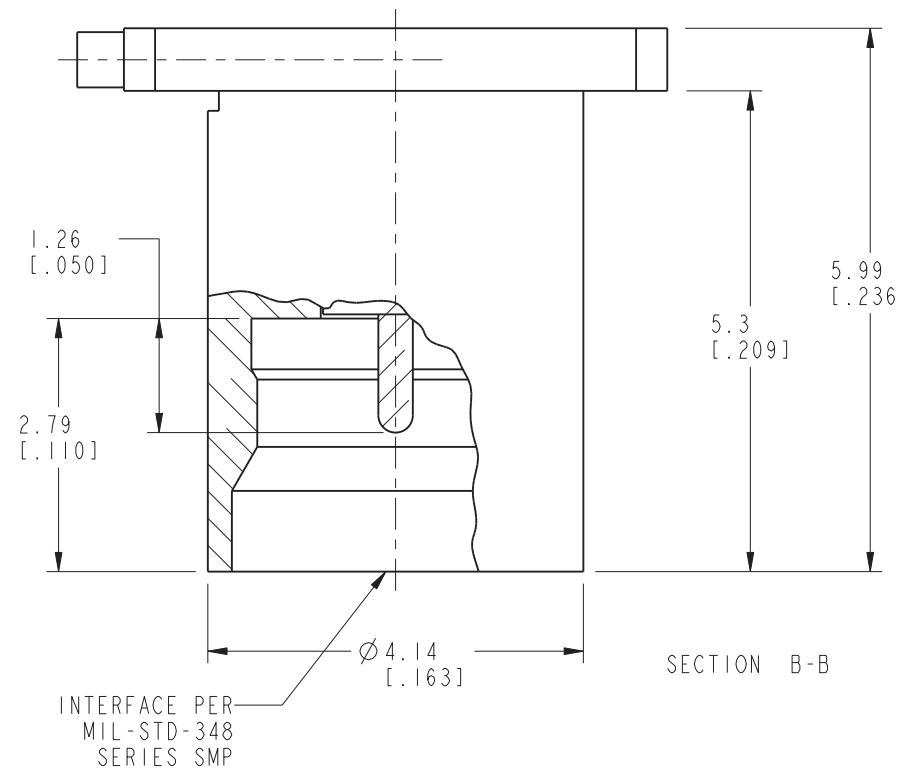
REV	DESCRIPTION	DATE	ECO	APPR
A	RELEASE TO MFG	9/12/05	45722	MY
E	ADDED UL RATING FOR INSULATOR MATERIAL	28-Jul-11	47682	SH



SCALE 6.000



RECOMMENDED PCB PAD LAYOUT
SCALE 7.000



CUSTOMER OUTLINE DRAWING
ALL OTHER SHEETS ARE FOR INTERNAL USE ONLY

UNLESS OTHERWISE SPECIFIED, DIMENSIONS ARE IN METRIC AND TOLERANCES ARE:
 <0.5mm ±0.05mm 0.5 - 6mm ±0.1mm 6 - 30mm ±0.2mm 30 - 120mm ±0.3mm ANGLES ±1°

NOTICE - These drawings, specifications, or other data (1) are, and remain the property of Amphenol corp. (2) must be returned upon request; and (3) are confidential and not to be disclosed to any person other than those to whom they are given by Amphenol Corp. the furnishing of these drawings, specifications, or other data by Amphenol Corp., or to any other person to anyone for any purpose is not to be regarded by implication or otherwise in any manner licensing, granting rights to permitting such holder or any other person to manufacture, use or sell any product, process or design, patented or otherwise, that may in any way be related to or disclosed by said drawings, specifications, or other data.

MATERIAL	DRAWN T. DENG	DATE 25-Jul-11	TITLE ASSEMBLY, PC BOARD, REAR MOUNT LIMITED DETENT	Amphenol RF www.amphenolrf.com
	ENGINEER OWEN BARTHELMES	DATE 25-Apr-01		
REFERENCE GEN# ASSYM2_SMP EAR# 283 615X-1690-100 CONFIGURATION LEVEL:	APPROVED S. HSIEH	DATE 28-Jul-11	SCALE: 12.0:1.0 SHEET 2 OF 2	DRAWING NO. SMP-MSLD-PCR
	FINISH	CAD FILE	DWG SIZE B	REV E
				ITEM NO. SMP-MSLD-PCR
				PART NO. SMP-MSLD-PCR

X-ON Electronics

Largest Supplier of Electrical and Electronic Components

Click to view similar products for [RF Connectors / Coaxial Connectors](#) category:

Click to view products by [Amphenol](#) manufacturer:

Other Similar products are found below :

[8915-1511-000](#) [89674-0827](#) [6001-7071-019](#) [6002-7051-003](#) [6002-7551-202](#) [6059674-1](#) [619550-1](#) [630059-000](#) [M39030/3-01N](#) [M3933/25-36N](#) [6500-7071-046](#) [6769](#) [CX050L2AQ](#) [7002-1542-011](#) [7004-1512-000](#) [7009-1511-004](#) [7010-1511-000](#) [7029-1511-060](#) [7101-1541-010](#) [7101-1571-002](#) [7105-1521-002](#) [7145-1521-002](#) [7203-1571-003](#) [7209-1511-011](#) [7210-1511-015](#) [7210-1511-019](#) [73137-5015](#) [73216-2241](#) [7325-1512-000](#) [73404-2300](#) [7405-1521-005](#) [7405-1521-802](#) [7406-1521-005](#) [8527](#) [8547](#) [FS11V](#) [8808-1511-001](#) [9049-9513-000](#) [9074-9513-000](#) [9101-9573-002](#) [910A205F](#) [9130-9573-002](#) [PL11SC-026](#) [PL375-33](#) [PL40-5](#) [PL71-9](#) [PL74C-221](#) [PL75MC-217](#) [PL803-7](#) [980-8666-005](#)