

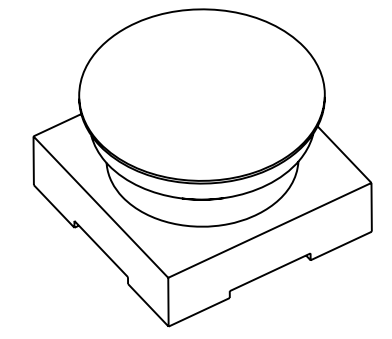
NOTES:

1. MATERIALS AND FINISHES:
 BODY - BRASS, GOLD PLATING
 CONTACT - BERYLLIUM COPPER, GOLD PLATING
 INSULATOR - PEEK, NATURAL
 KAPTON FILM - POLYIMIDE, AMBER
2. ELECTRICAL:
 A. IMPEDANCE: 50 OHM
 B. FREQUENCY RANGE: DC - 10 GHz
 C. VSWR: 1.25 MAX @ DC - 6 GHz
 1.50 MAX @ 6 - 10 GHz
 D. DIELECTRIC WITHSTANDING VOLTAGE: 500 VRMS, MIN.
3. PHYSICAL:
 A. DURABILITY: 500 CYCLES MIN.
 B. ENGAGEMENT FORCE: 10.0 LBS MAX
 C. DISENGAGEMENT FORCE: 2.0 LBS MIN
 D. TEMPERATURE RANGE: -65° C TO +165° C
4. PACKAGING:
 A. TAPE AND REEL PACKAGING, QTY 1200 PCS, SEE SHEET 3.
 B. MARK PACKAGING: AMPHENOL RF, SMP-MSLD-PCS-16, DATE CODE QTY 1200

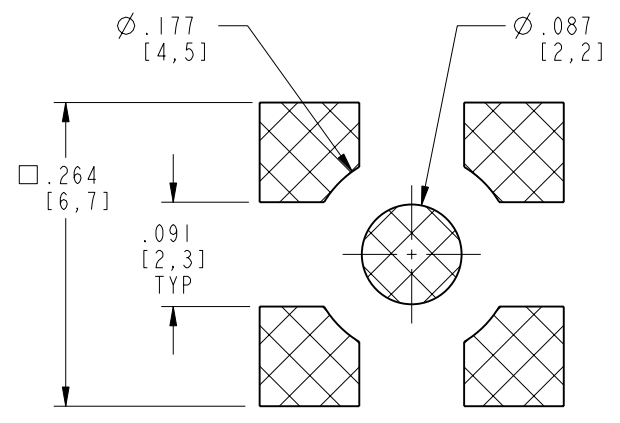
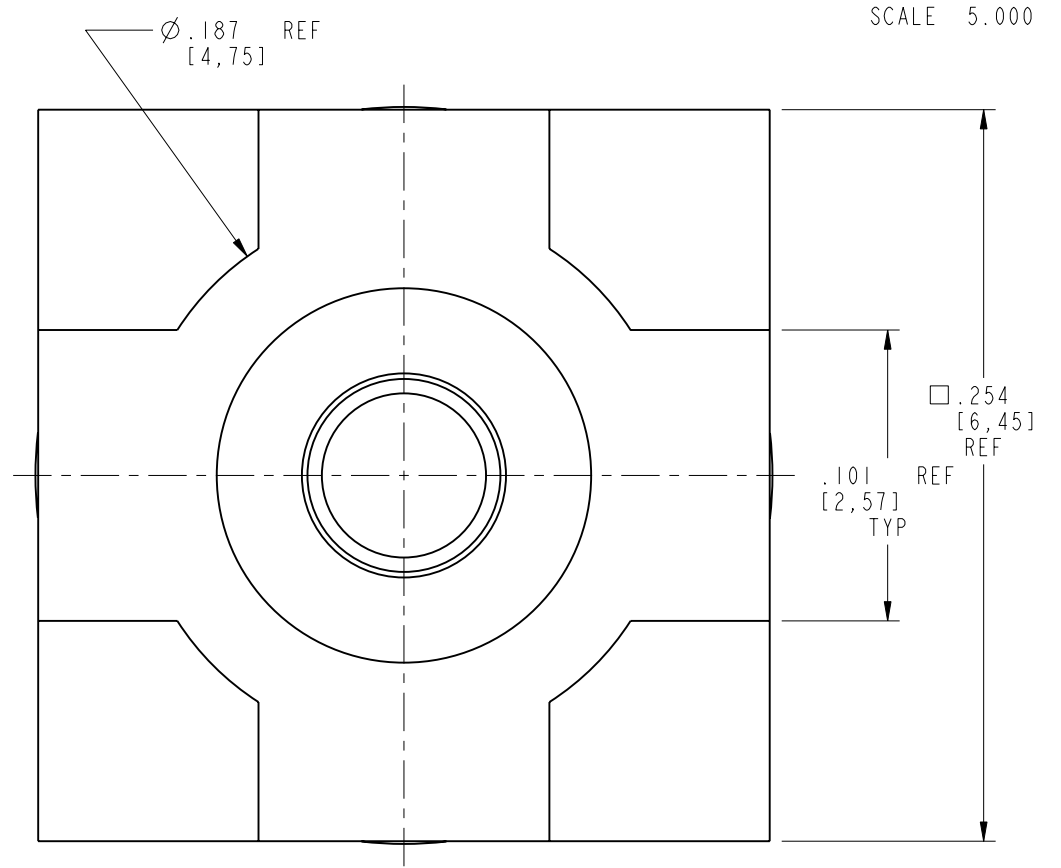
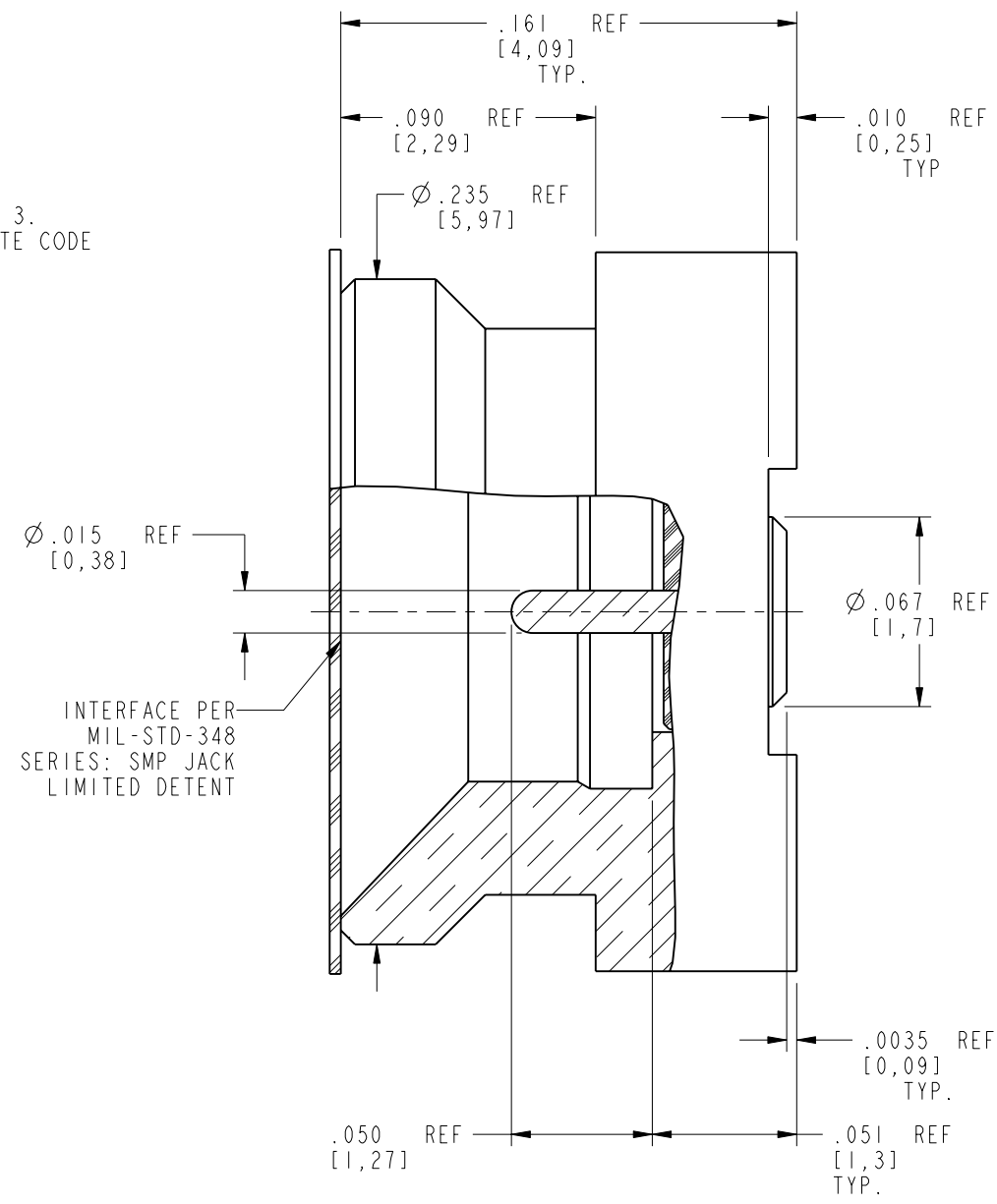
THIRD ANGLE PROJ.

REVISIONS

REV	DESCRIPTION	DATE	ECO	APPR
A	RELEASE TO MFG.	05-Dec-17	06042	BMG
B	UPDATED FREQUENCY AND VSWR	25-AUG-20	15302	EH



SCALE 5.000



RECOMMENDED PCB LAYOUT

CUSTOMER OUTLINE DRAWING
 ALL OTHER SHEETS ARE FOR INTERNAL USE ONLY

UNLESS OTHERWISE SPECIFIED, DIMENSIONS ARE IN METRIC AND TOLERANCES ARE: <0.5mm ±0.05mm 0.5 - 6mm ±0.1mm 6 - 30mm ±0.2mm 30 - 120mm ±0.3mm ANGLES ±1° NOTICE - These drawings, specifications, or other data (1) are, and remain the property of Amphenol corp. (2) must be returned upon request; and (3) are confidential and not to be disclosed to any person other than those to whom they are given by Amphenol Corp. the furnishing of these drawings, specifications, or other data by Amphenol Corp., or to any other person to anyone for any purpose is not to be regarded by implication or otherwise in any manner licensing, granting rights to permitting such holder or any other person to manufacture, use or sell any product, process or design, patented or otherwise, that may in any way be related to or disclosed by said drawings, specifications, or other data.	MATERIAL	DRAWN	DATE	TITLE SMP JACK LIMITED DETENT CATCHER'S MITT SURFACE MOUNT	Amphenol RF www.amphenolrf.com	
	-	WIKI	27-Aug-20			
	REFERENCE AND CONFIGURATION LEVEL: In Work	ENGINEER	DATE		DRAWING NO.	
	FINISH	SUNDE	05-Dec-17		ITEM NO.	SMP-MSLD-PCS-16
	APPROVED	DATE		PART NO.	SMP-MSLD-PCS-16	
	S.HSIEH	27-Aug-20		SCALE: 15.0:1.0	SHEET 2 OF 3	
	CAD FILE			DWG SIZE	REV	
				B	B	

THIRD ANGLE PROJ.

REVISIONS

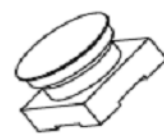
REV	DESCRIPTION	DATE	ECO	APPR
A	RELEASE TO MFG.	05-Dec-17	06042	BMG
B	SEE SHEET 2	25-AUG-20	15302	EH



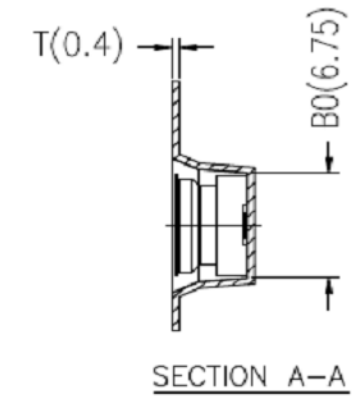
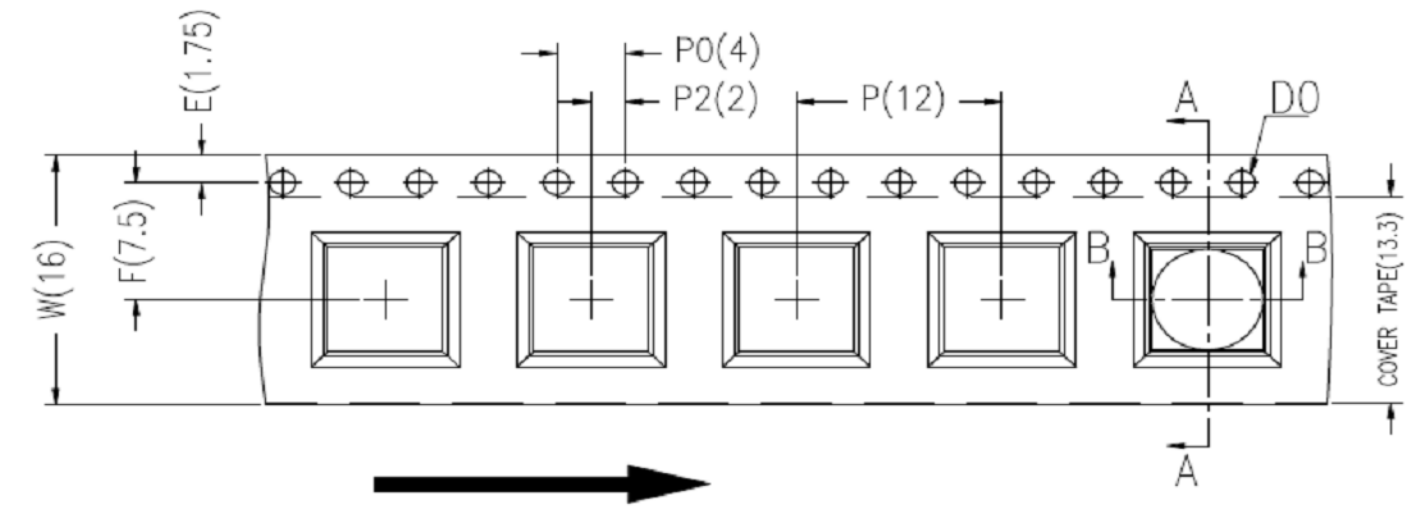
SMP-MSLD-PCS-14



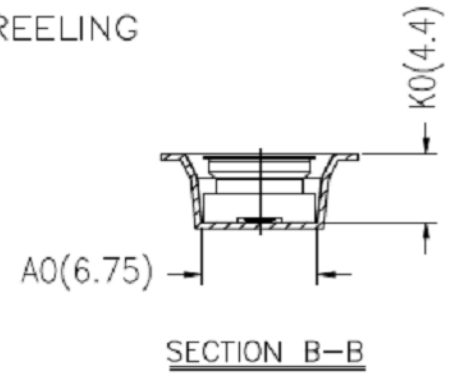
SMP-MSSB-PCS-14
ADDED THE CAPTON FILM FOR CONNECTOR



SMP-MSLD-PCS-16
WITH THE CAPTON FILM ON CONNECTOR



客户取件方向
CUSTOMER DIRECTION OF UNREELING



NOTES:

- 10 sprocket holes pitch cumulative tolerance ± 0.20 mm.
- Carrier camber not to exceed 1 mm in 250 mm.
- A0 and B0 measured on a plane 0.3 mm above the bottom of the pocket.
- K0 measured from a plane on the inside bottom of the pocket to the top surface of the carrier.
- All dimensions meet EIA-481-D requirements.
- Material: Black PS (RoHS Compliant)
- Thickness: 0.40 ± 0.05 mm.
- Packing length per 13" reel: 15.3 Meters.
- Component loader per 13" reel: 1200 pcs.

注:未注公差为:±0.10

NOTE: ALL TOLERANCES ARE: ± 0.10 , EXCEPT WHERE NOTED

ITEM	W	A ₀	B ₀	K ₀	K ₁	P	F	E	D ₀	D ₁	P ₀	P ₂	T
DIM	16±0.3	6.75±0.1	6.75±0.1	4.4±0.1		12±0.1	7.5±0.1	1.75±0.1	1.5 ^{+0.1} _{-0.00}		4.0±0.1	2.0±0.1	0.40±0.05

CUSTOMER OUTLINE DRAWING
ALL OTHER SHEETS ARE FOR INTERNAL USE ONLY

UNLESS OTHERWISE SPECIFIED, DIMENSIONS ARE IN METRIC AND TOLERANCES ARE: <0.5mm ±0.05mm 0.5 - 6mm ±0.1mm 6 - 30mm ±0.2mm 30 - 120mm ±0.3mm ANGLES ±1°	MATERIAL	DRAWN	DATE	TITLE SMP JACK LIMITED DETENT CATCHER'S MITT SURFACE MOUNT	Amphenol RF www.amphenolrf.com
	REFERENCE	WIKI	27-Aug-20		
NOTICE - These drawings, specifications, or other data (1) are, and remain the property of Amphenol corp. (2) must be returned upon request; and (3) are confidential and not to be disclosed to any person other than those to whom they are given by Amphenol Corp. the furnishing of these drawings, specifications, or other data by Amphenol Corp., or to any other person to anyone for any purpose is not to be regarded by implication or otherwise in any manner licensing, granting rights to permitting such holder or any other person to manufacture, use or sell any product, process or design, patented or otherwise, that may in any way be related to or disclosed by said drawings, specifications, or other data.	AND	ENGINEER	DATE	SCALE: 15.0:1.0	DRAWING NO. SMP-MSLD-PCS-16 ITEM NO. SMP-MSLD-PCS-16 PART NO. SMP-MSLD-PCS-16
	CONFIGURATION LEVEL: In Work	SUNDE	05-Dec-17	SHEET 3 OF 3	
FINISH	APPROVED	DATE		DWG SIZE	REV
	S.HSIEH	27-Aug-20		B	B

X-ON Electronics

Largest Supplier of Electrical and Electronic Components

Click to view similar products for [RF Connectors / Coaxial Connectors](#) category:

Click to view products by [Amphenol](#) manufacturer:

Other Similar products are found below :

[8915-1511-000](#) [89674-0827](#) [6001-7071-019](#) [6002-7051-003](#) [6002-7551-202](#) [6059674-1](#) [619550-1](#) [630059-000](#) [M39030/3-01N](#) [M3933/25-36N](#) [6500-7071-046](#) [6769](#) [CX050L2AQ](#) [7002-1542-011](#) [7004-1512-000](#) [7009-1511-004](#) [7010-1511-000](#) [7029-1511-060](#) [7101-1541-010](#) [7101-1571-002](#) [7105-1521-002](#) [7145-1521-002](#) [7203-1571-003](#) [7209-1511-011](#) [7210-1511-015](#) [7210-1511-019](#) [73137-5015](#) [73216-2241](#) [7325-1512-000](#) [73404-2300](#) [7405-1521-005](#) [7405-1521-802](#) [7406-1521-005](#) [8527](#) [8547](#) [FS11V](#) [8808-1511-001](#) [9049-9513-000](#) [9074-9513-000](#) [9101-9573-002](#) [910A205F](#) [9130-9573-002](#) [PL11SC-026](#) [PL375-33](#) [PL40-5](#) [PL71-9](#) [PL74C-221](#) [PL75MC-217](#) [PL803-7](#) [980-8666-005](#)