

NOTES:

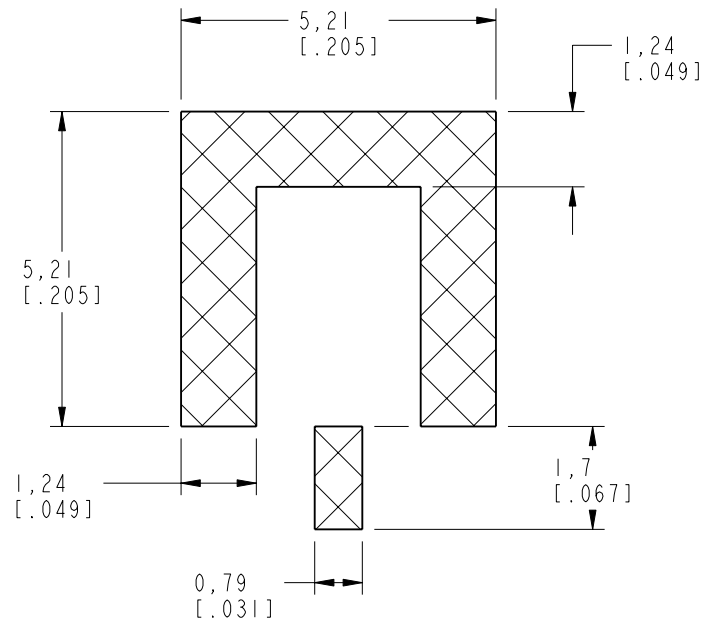
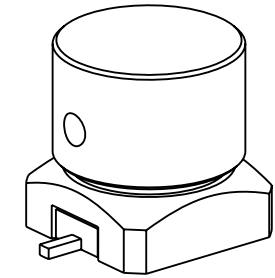
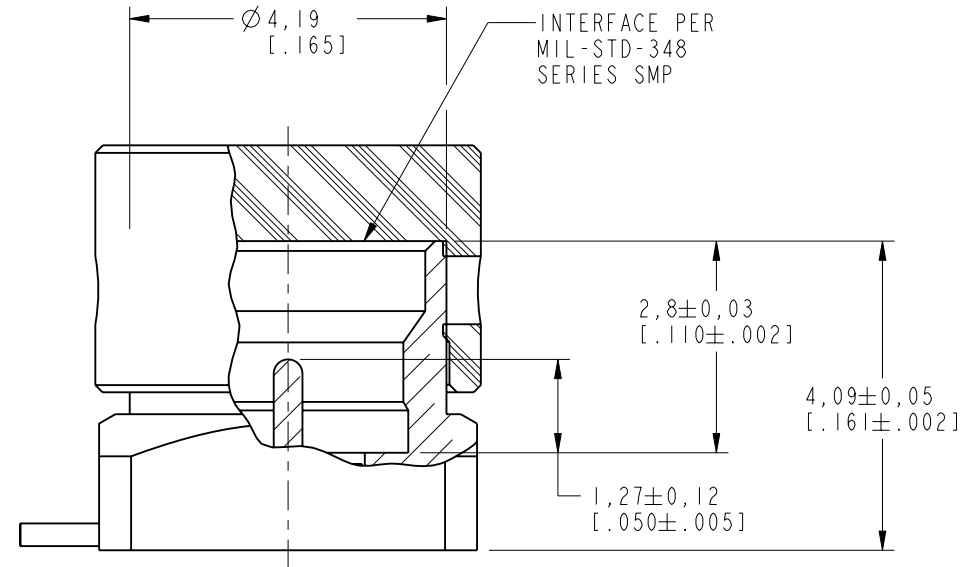
1. MATERIALS AND FINISHES:
  - BODY - BRASS, GOLD PLATING, .000030 [0.8] THICK OVER NICKEL
  - CONTACT - BRASS, GOLD PLATING, .000030 [0.8] THICK OVER NICKEL
  - INSULATOR - LCP
  - CAP - PTFE
2. ELECTRICAL:
  - A. IMPEDANCE: 50 OHM
  - B. FREQUENCY RANGE: DC - 18 GHz
  - C. VSWR(RETURN LOSS): 1.10 (26.4 dB), MAX. DC-6GHz  
 1.15 (23.1 dB), MAX. 6-10GHz  
 1.30 (17.7 dB), MAX. 10-18GHz
  - D. DIELECTRIC WITHSTANDING VOLTAGE: 335 VRMS, MIN.
3. PHYSICAL:
  - A. DURABILITY: 500 CYCLES MIN.
  - B. ENGAGEMENT FORCE: 10 LB [44.5 N] MAX
  - C. DISENGAGEMENT FORCE: 2 LB [8.9 N] MIN
  - D. INNER CONTACT RETENTION FORCE: 1.5 LB [7 N] MIN
  - E. TEMPERATURE RANGE: -65° C TO 165° C
4. PACKAGING:
  - A. PACKAGE CONNECTOR IN TAPE AND REEL.
  - B. MARK TAG:
 

AMPHENOL RF P/N:	SMP-MSLD-PCS-5T
DATE CODE:	WWYY
QTY:	1400 PCS

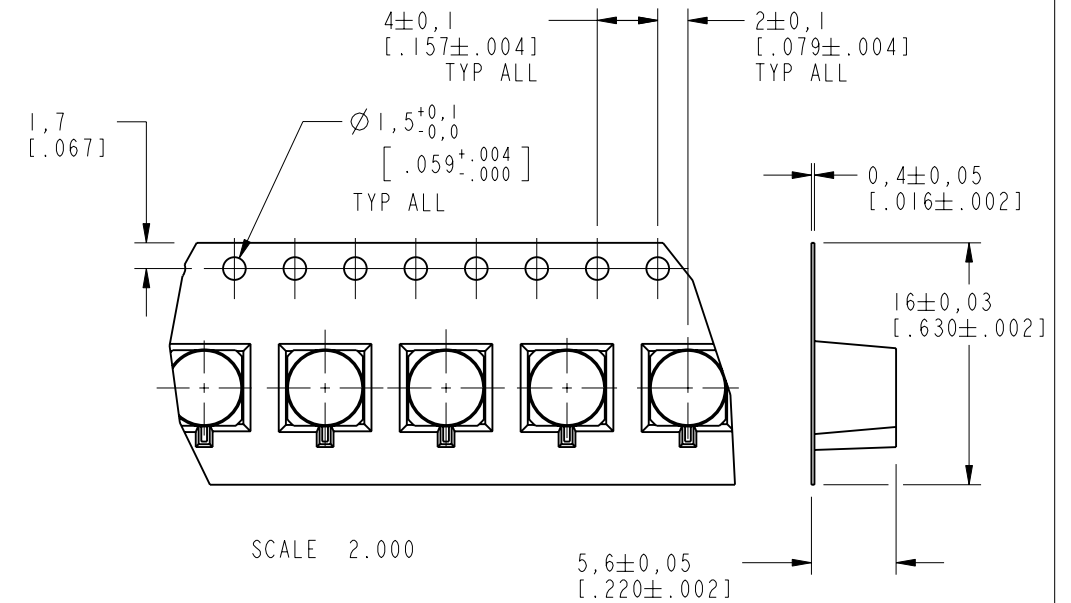
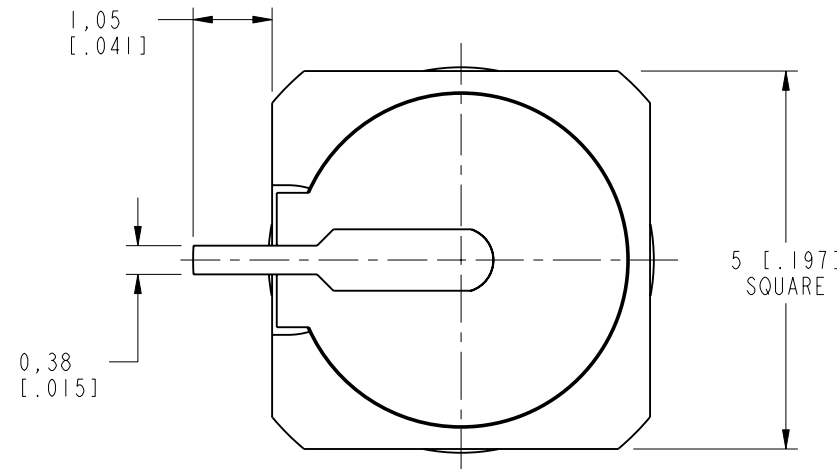
THIRD ANGLE PROJ.

REVISIONS

REV	DESCRIPTION	DATE	ECO	APPR
A	RELEASE TO MFG.	24-Mar-14	49925	JTS



RECOMMENDED PCB FOOTPRINT  
SCALE 8.000



**CUSTOMER OUTLINE DRAWING**  
**ALL OTHER SHEETS ARE FOR INTERNAL USE ONLY**

UNLESS OTHERWISE SPECIFIED, DIMENSIONS ARE IN INCHES AND TOLERANCES ARE: 2 PLACE DECIMAL 3 PLACE DECIMAL ANGLES ±.015 (0.381 mm) ±.005 (0.127 mm) ± 1°	MATERIAL	DRAWN J. CHEN	DATE 24-Mar-14	TITLE SMP JACK LIMITED DETENT SURFACE MOUNT TAPE AND REEL		Amphenol RF www.amphenolrf.com	
	REFERENCE	ENGINEER T. SMITH	DATE 05-Mar-14				
NOTICE - These drawings, specifications, or other data (1) are, and remain the property of Amphenol corp. (2) must be returned upon request; and (3) are confidential and not to be disclosed to any person other than those to whom they are given by Amphenol Corp. the furnishing of these drawings, specifications, or other data by Amphenol Corp., or to any other person to anyone for any purpose is not to be regarded by implication or otherwise in any manner licensing, granting rights to permitting such holder or any other person to manufacture, use or sell any product, process or design, patented or otherwise, that may in any way be related to or disclosed by said drawings, specifications, or other data.	CONFIGURATION LEVEL: <input type="checkbox"/> <input type="checkbox"/>	APPROVED S. HSIEH	DATE 24-Mar-14	SCALE: 10.0:1.0	SHEET 2 OF 2	DRAWING NO. SMP-MSLD-PCS-5T	
	FINISH	CAD FILE	DWG SIZE B		REV A	ITEM NO. SMP-MSLD-PCS-5T	
							PART NO. SMP-MSLD-PCS-5T

## X-ON Electronics

Largest Supplier of Electrical and Electronic Components

*Click to view similar products for [RF Connectors / Coaxial Connectors](#) category:*

*Click to view products by [Amphenol](#) manufacturer:*

Other Similar products are found below :

[8915-1511-000](#) [89674-0827](#) [6001-7071-019](#) [6002-7051-003](#) [6002-7551-202](#) [6059674-1](#) [619550-1](#) [630059-000](#) [M39030/3-01N](#) [M3933/25-36N](#) [6500-7071-046](#) [6769](#) [CX050L2AQ](#) [7002-1542-011](#) [7004-1512-000](#) [7009-1511-004](#) [7010-1511-000](#) [7029-1511-060](#) [7101-1541-010](#) [7101-1571-002](#) [7105-1521-002](#) [7145-1521-002](#) [7203-1571-003](#) [7209-1511-011](#) [7210-1511-015](#) [7210-1511-019](#) [73137-5015](#) [73216-2241](#) [7325-1512-000](#) [73404-2300](#) [7405-1521-005](#) [7405-1521-802](#) [7406-1521-005](#) [8527](#) [8547](#) [FS11V](#) [8808-1511-001](#) [9049-9513-000](#) [9074-9513-000](#) [9101-9573-002](#) [910A205F](#) [9130-9573-002](#) [PL11SC-026](#) [PL375-33](#) [PL40-5](#) [PL71-9](#) [PL74C-221](#) [PL75MC-217](#) [PL803-7](#) [980-8666-005](#)