

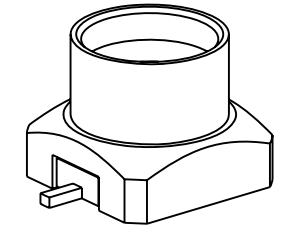
NOTES:

1. MATERIALS AND FINISHES:
  - BODY - BRASS, GOLD PLATING, .000030" [0.8 MICRO-METER] THICK OVER NICKEL
  - CONTACT - BRASS, GOLD PLATING, .000030" [0.8 MICRO-METER] THICK OVER NICKEL
  - INSULATOR - LCP
2. ELECTRICAL:
  - A. IMPEDANCE: 50 OHM
  - B. FREQUENCY RANGE: DC - 18 GHz
  - C. VSWR(RETURN LOSS): 1.10 (26.4 dB), MAX. DC-6GHz  
 1.15 (23.1 dB), MAX. 6-10GHz  
 1.30 (17.7 dB), MAX. 10-18GHz
  - D. DIELECTRIC WITHSTANDING VOLTAGE: 500 VRMS, MIN.
3. PHYSICAL:
  - A. DURABILITY: 500 CYCLES MIN.
  - B. ENGAGEMENT FORCE: 10 LBS [45 N] MAX
  - C. DISENGAGEMENT FORCE: 2 LBS [9 N] MIN
  - D. INNER CONTACT RETENTION FORCE: 1.5 LB [7 N] MIN
  - E. TEMPERATURE RANGE: -65° C TO +165° C
4. PACKAGING:
  - A. PACKAGE CONNECTOR AS PER ROUTING INSTRUCTIONS.
  - B. MARK BAG OR TAG "SMP-MSLD-PCS, AND DATE CODE"

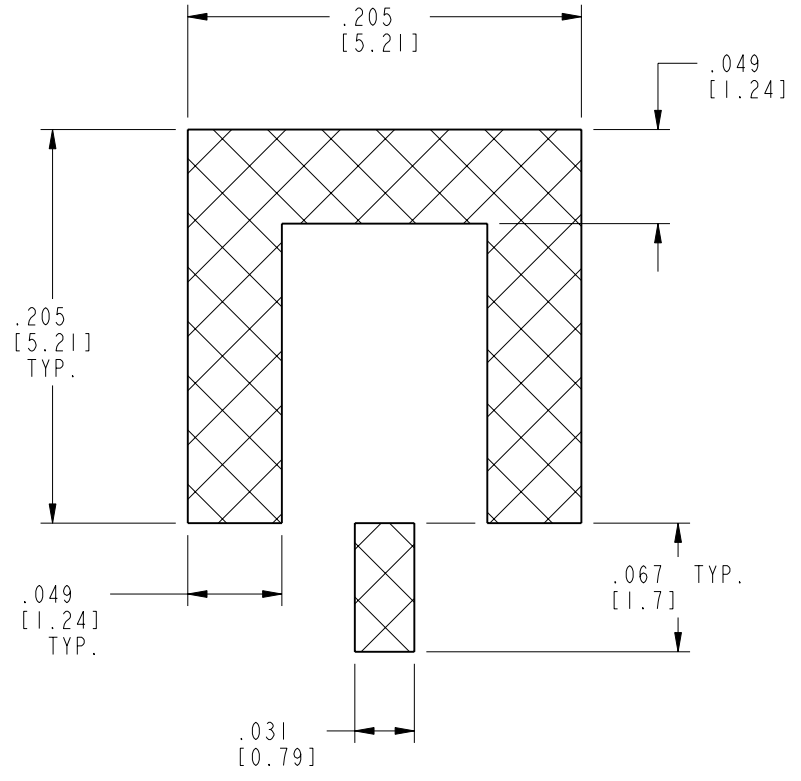
THIRD ANGLE PROJ.

REVISIONS

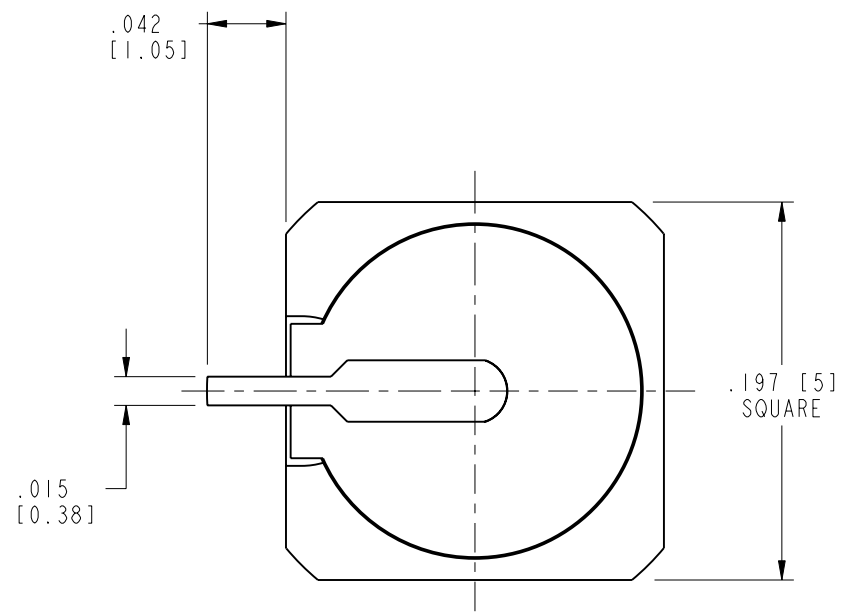
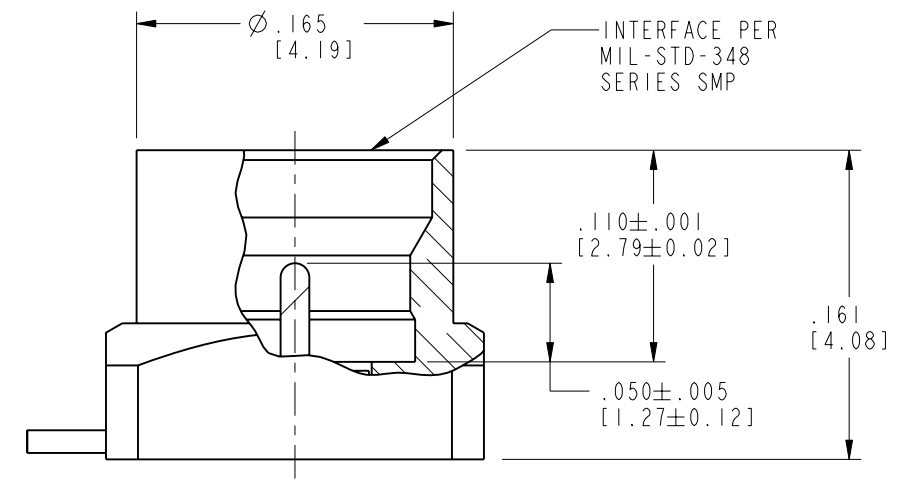
| REV | DESCRIPTION                             | DATE      | ECO   | APPR   |
|-----|---|-----------|-------|--------|
| A   | RELEASE TO MFG                          | 3/2/05    | 45426 | MAH    |
| B   | INSULATOR WAS CHANGED                   | 07-May-07 | ---   | ANGELA |
| C   | SYNCH THE DRAWING WITH DANBURY          | 07-Nov-12 | 49307 | SH     |
| D   | 1.27±0.12 WAS 1.30±0.12\RD-DMI3091001J8 | 24-Sep-13 | 49741 | MD     |



SCALE 5.000



RECOMMENDED PCB FOOTPRINT  
SCALE 10.000



**CUSTOMER OUTLINE DRAWING**  
ALL OTHER SHEETS ARE FOR INTERNAL USE ONLY

|  |   |  |                       |  |                                   |
|--|---|--|-----------------------|--|-----------------------------------|
| UNLESS OTHERWISE SPECIFIED, DIMENSIONS ARE IN INCHES AND TOLERANCES ARE:<br>2 PLACE DECIMAL 3 PLACE DECIMAL ANGLES<br>±.015 (0,381 mm) ±.005 (0,127 mm) ± 1° | MATERIAL  | DRAWN<br>H. PARIKH   | DATE<br>24-Sep-13     | TITLE<br>SMP JACK, PIN CONTACT<br>PCB RECEPTACLE<br>LIMITED DETENT | Amphenol RF<br>www.amphenolrf.com |
|  | NOTICE - These drawings, specifications, or other data (1) are, and remain the property of Amphenol corp. (2) must be returned upon request; and (3) are confidential and not to be disclosed to any person other than those to whom they are given by Amphenol Corp. the furnishing of these drawings, specifications, or other data by Amphenol Corp., or to any other person to anyone for any purpose is not to be regarded by implication or otherwise in any manner licensing, granting rights to permitting such holder or any other person to manufacture, use or sell any product, process or design, patented or otherwise, that may in any way be related to or disclosed by said drawings, specifications, or other data. | REFERENCE<br>GEN# ASSYM7_SMP<br>615X-1782<br>PREVIOUSLY SMP-MSLD-PCS-1<br>CONFIGURATION LEVEL:<br>FINISH | ENGINEER<br>H. PARIKH |  |                                   |
|  |   | APPROVED<br>S. HSIEH   | DATE<br>27-Sep-13     | SCALE: 10.0:1.0 SHEET 2 OF 2                                       | ITEM NO. SMP-MSLD-PCS             |
|  |   | CAD FILE   |                       | DWG SIZE B REV D   | PART NO. SMP-MSLD-PCS             |

## X-ON Electronics

Largest Supplier of Electrical and Electronic Components

*Click to view similar products for [RF Connectors / Coaxial Connectors](#) category:*

*Click to view products by [Amphenol](#) manufacturer:*

Other Similar products are found below :

[8915-1511-000](#) [89674-0827](#) [6001-7071-019](#) [6002-7051-003](#) [6002-7551-202](#) [6059674-1](#) [619550-1](#) [630059-000](#) [M39030/3-01N](#) [M3933/25-36N](#) [6500-7071-046](#) [6769](#) [CX050L2AQ](#) [7002-1542-011](#) [7004-1512-000](#) [7009-1511-004](#) [7010-1511-000](#) [7029-1511-060](#) [7101-1541-010](#) [7101-1571-002](#) [7105-1521-002](#) [7145-1521-002](#) [7203-1571-003](#) [7209-1511-011](#) [7210-1511-015](#) [7210-1511-019](#) [73137-5015](#) [73216-2241](#) [7325-1512-000](#) [73404-2300](#) [7405-1521-005](#) [7405-1521-802](#) [7406-1521-005](#) [8527](#) [8547](#) [FS11V](#) [8808-1511-001](#) [9049-9513-000](#) [9074-9513-000](#) [9101-9573-002](#) [910A205F](#) [9130-9573-002](#) [PL11SC-026](#) [PL375-33](#) [PL40-5](#) [PL71-9](#) [PL74C-221](#) [PL75MC-217](#) [PL803-7](#) [980-8666-005](#)