

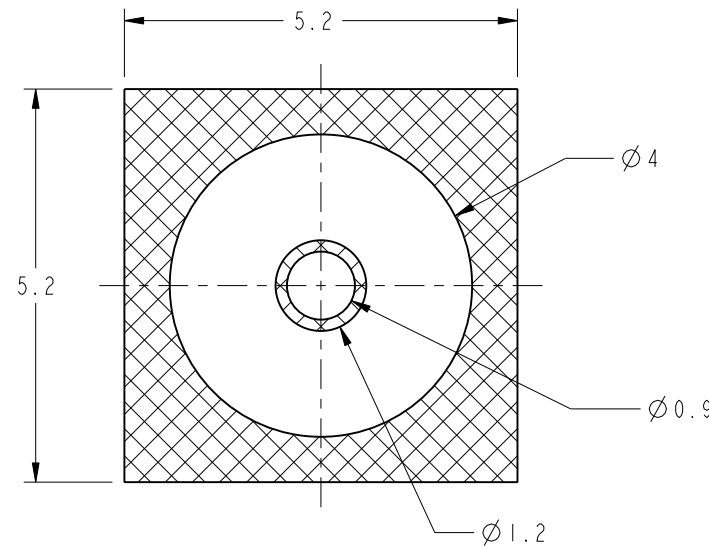
NOTES:

1. MATERIALS AND FINISHES:
  - BODY - BRASS, GOLD PLATING [0.000004 IN THICK] OVER HIGH PHOSPHORUS ELECTROLESS NICKEL
  - CONTACT - BERYLLIUM COPPER, GOLD PLATING [0.000004 IN THICK] OVER HIGH PHOSPHORUS ELECTROLESS NICKEL
  - INSULATOR - PEEK
2. ELECTRICAL:
  - A. IMPEDANCE: 50 OHM
  - B. FREQUENCY RANGE: DC - 26.5 GHz
3. PHYSICAL:
  - A. DURABILITY: 500 CYCLES MIN.
  - B. ENGAGEMENT FORCE: 10 LBS [45 N] MAX
  - C. DISENGAGEMENT FORCE: 2 LBS [9 N] MIN
  - D. INNER CONTACT RETENTION FORCE: 1.5 LB [7 N] MIN
  - E. TEMPERATURE RANGE: -65° C TO 165° C

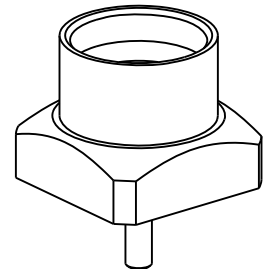
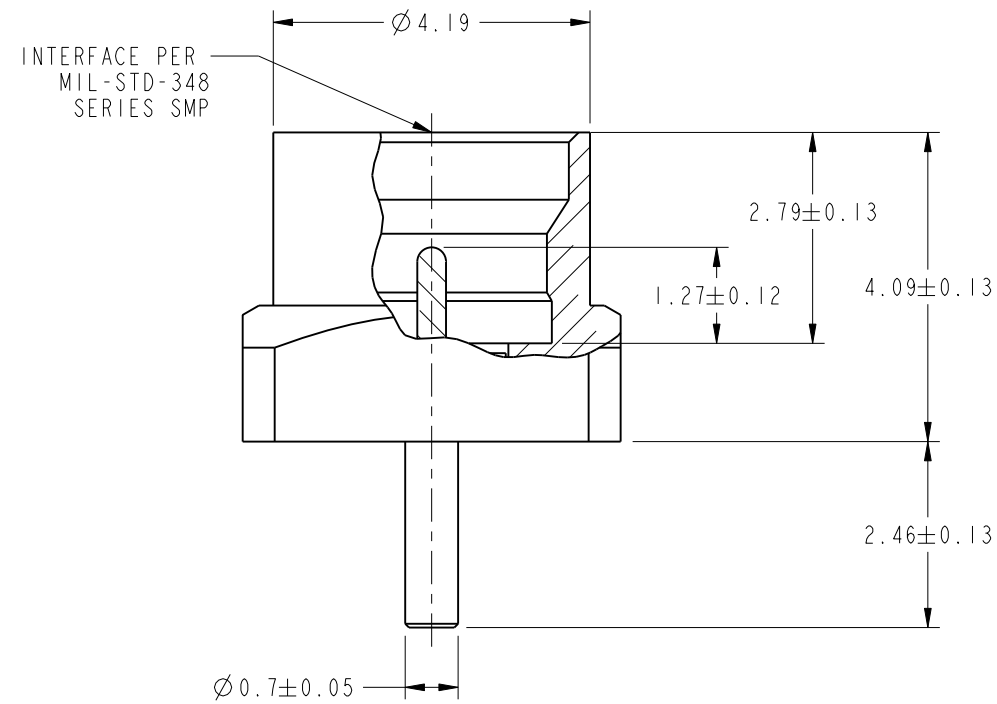
THIRD ANGLE PROJ.

REVISIONS

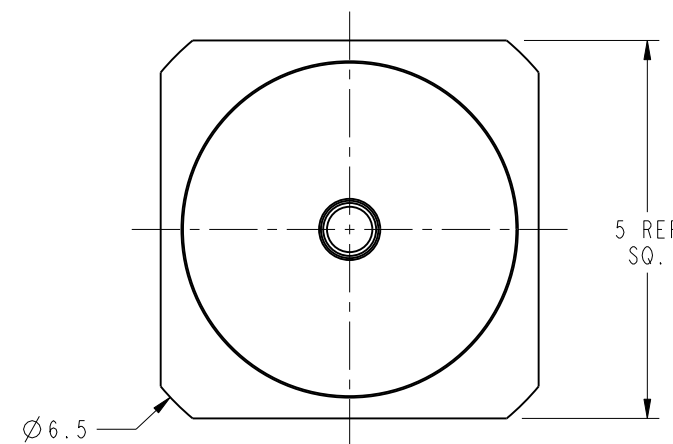
REV	DESCRIPTION	DATE	ECO	APPR
A	RELEASE TO MFG	12-Apr-12	49025	TD



SCALE 10.000  
RECOMMENED PCB FOOTPRINT  
THRU HOLE DESIGN



SCALE 5.000



**CUSTOMER OUTLINE DRAWING**  
**ALL OTHER SHEETS ARE FOR INTERNAL USE ONLY**

UNLESS OTHERWISE SPECIFIED, DIMENSIONS ARE IN METRIC AND TOLERANCES ARE:  
 <0.5mm ±0.05mm    0.5 - 6mm ±0.1mm    6 - 30mm ±0.2mm    30 - 120mm ±0.3mm    ANGLES ±1°

NOTICE - These drawings, specifications, or other data (1) are, and remain the property of Amphenol corp. (2) must be returned upon request; and (3) are confidential and not to be disclosed to any person other than those to whom they are given by Amphenol Corp. the finishing of these drawings, specifications, or other data by Amphenol Corp., or to any other person to anyone for any purpose is not to be regarded by implication or otherwise in any manner licensing, granting rights to permitting such holder or any other person to manufacture, use or sell any product, process or design, patented or otherwise, that may in any way be related to or disclosed by said drawings, specifications, or other data.

MATERIAL	DRAWN T. DENG	DATE 12-Apr-12	TITLE SMP JACK, PIN CONTACT PCB RECEPTACLE LIMITED DETENT		Amphenol RF www.amphenolrf.com
	ENGINEER T. COVERSTONE	DATE 02-Sep-09			
REFERENCE EAR# 4473	APPROVED 13-Apr-12	DATE 13-Apr-12	SCALE: 10.0:1.0   SHEET 2 OF 2		DRAWING NO. SMP-MSLD-PCT-10
	CONFIGURATION LEVEL:	CAD FILE	DWG SIZE B	REV A	ITEM NO. SMP-MSLD-PCT-10
FINISH					PART NO. SMP-MSLD-PCT-10

## X-ON Electronics

Largest Supplier of Electrical and Electronic Components

*Click to view similar products for [RF Connectors / Coaxial Connectors](#) category:*

*Click to view products by [Amphenol](#) manufacturer:*

Other Similar products are found below :

[8915-1511-000](#) [89674-0827](#) [6001-7071-019](#) [6002-7051-003](#) [6002-7551-202](#) [6059674-1](#) [619550-1](#) [630059-000](#) [M39030/3-01N](#) [M3933/25-36N](#) [6500-7071-046](#) [6769](#) [CX050L2AQ](#) [7002-1542-011](#) [7004-1512-000](#) [7009-1511-004](#) [7010-1511-000](#) [7029-1511-060](#) [7101-1541-010](#) [7101-1571-002](#) [7105-1521-002](#) [7145-1521-002](#) [7203-1571-003](#) [7209-1511-011](#) [7210-1511-015](#) [7210-1511-019](#) [73137-5015](#) [73216-2241](#) [7325-1512-000](#) [73404-2300](#) [7405-1521-005](#) [7405-1521-802](#) [7406-1521-005](#) [8527](#) [8547](#) [FS11V](#) [8808-1511-001](#) [9049-9513-000](#) [9074-9513-000](#) [9101-9573-002](#) [910A205F](#) [9130-9573-002](#) [PL11SC-026](#) [PL375-33](#) [PL40-5](#) [PL71-9](#) [PL74C-221](#) [PL75MC-217](#) [PL803-7](#) [980-8666-005](#)