

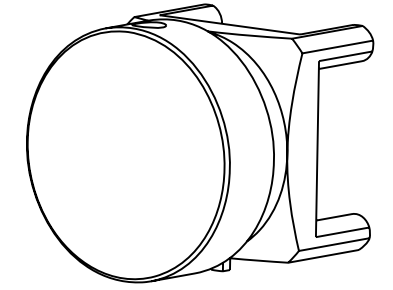
NOTES:

1. MATERIALS AND FINISHES:  
 BODY & CONTACT - BRASS, GOLD PLATING  
 INSULATOR - LCP E130i
2. ELECTRICAL:  
 A. IMPEDANCE: 50 OHM  
 B. RETURN LOSS: 1.10 MAX. (-26.4 dB MIN.), @ DC-6 GHz  
                   1.15 MAX. (-23.1 dB MIN.), @ 6-10 GHz  
                   1.30 MAX. (-17.7 dB MIN.), @ 10-18 GHz  
       CONNECTOR ONLY, PERFORMANCE WILL VARY  
       BASED ON BOARD LAYOUT  
 C. INSERTION LOSS: 0.05\* SQRT(f) dB MAX ; "f" IN GHz  
 D. DIELECTRIC WITHSTANDING VOLTAGE: 500 VRMS, MIN.
3. MECHANICAL:  
 A. DURABILITY: 500 CYCLES MIN.  
 B. ENGAGEMENT FORCE: 10 LBS (45 N) MAX.  
 C. DISENGAGEMENT FORCE: 2 LBS (9 N) MIN.  
 D. INNER CONTACT RETENTION FORCE: 1.5 LBS (7 N) MIN.  
 E. TEMPERATURE RANGE: -65°C TO +165°C
4. PACKAGING  
 A. QUANTITY: TAPE & REEL PACKAGING, 600 PCS/REEL  
 B. MARKING: REEL TO BE MARKED:  
    " AMPHENOL RF, SMP-MSLD-PCT15T AND DATE CODE"

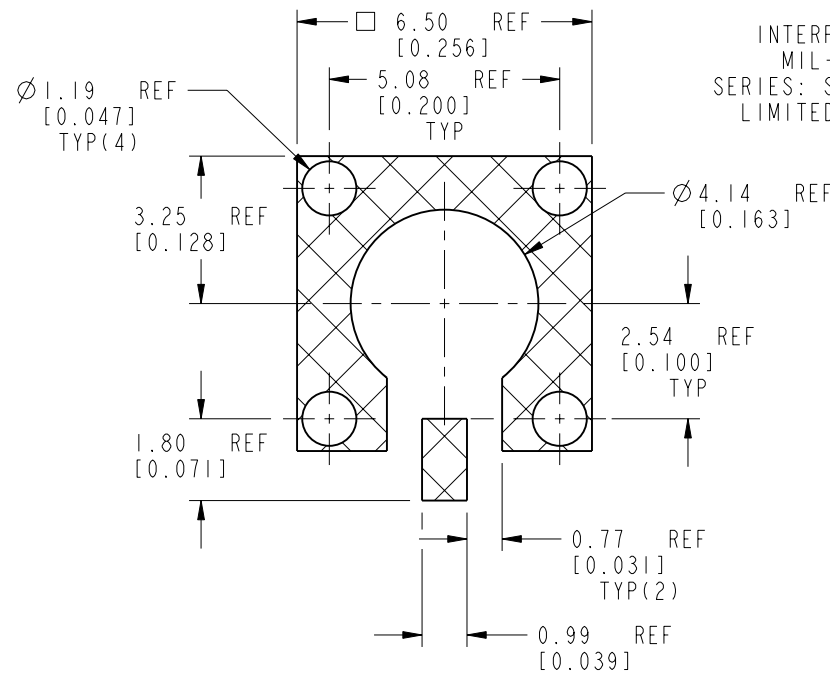
THIRD ANGLE PROJ.

REVISIONS

REV	DESCRIPTION	DATE	ECO	APPR
A	RELEASE TO MFG	07-Jun-18	08221	BMG

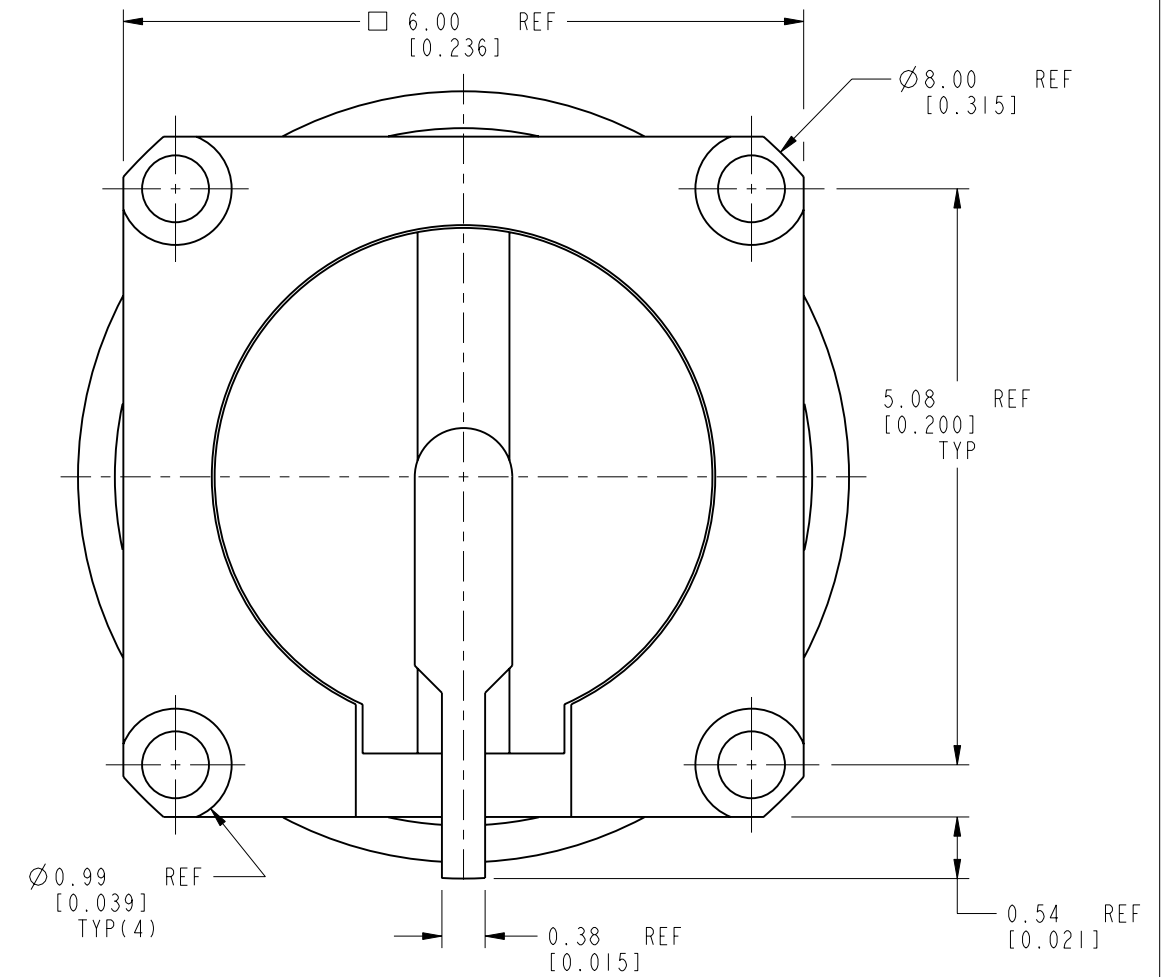
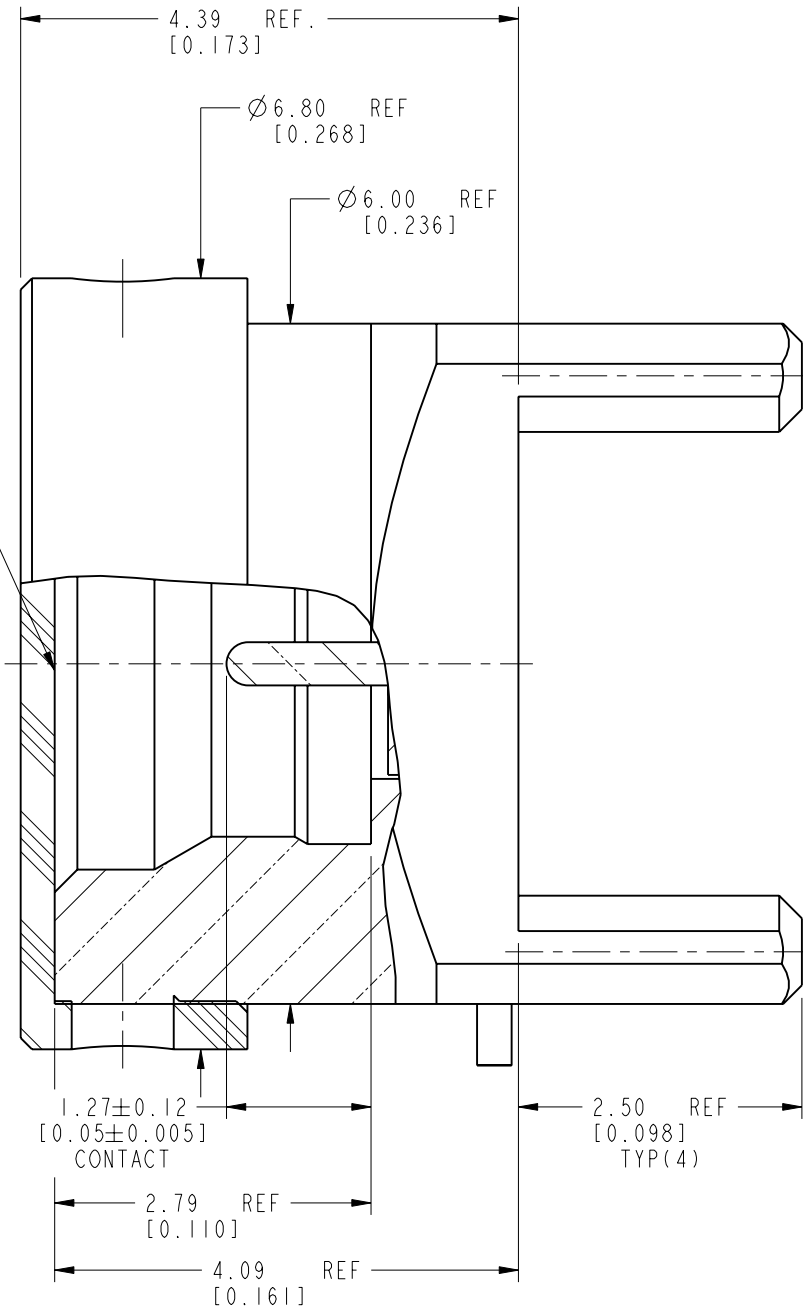


SCALE 5.000



**RECOMMENDED PCB LAYOUT DIMENSIONS**

INTERFACE PER MIL-STD-348 SERIES: SMP JACK LIMITED DETENT



**CUSTOMER OUTLINE DRAWING**

ALL OTHER SHEETS ARE FOR INTERNAL USE ONLY

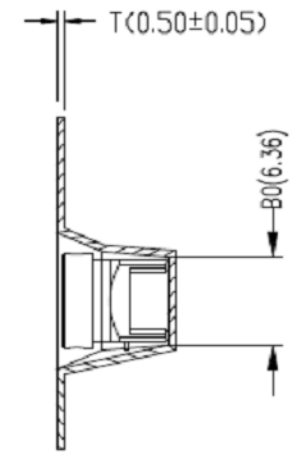
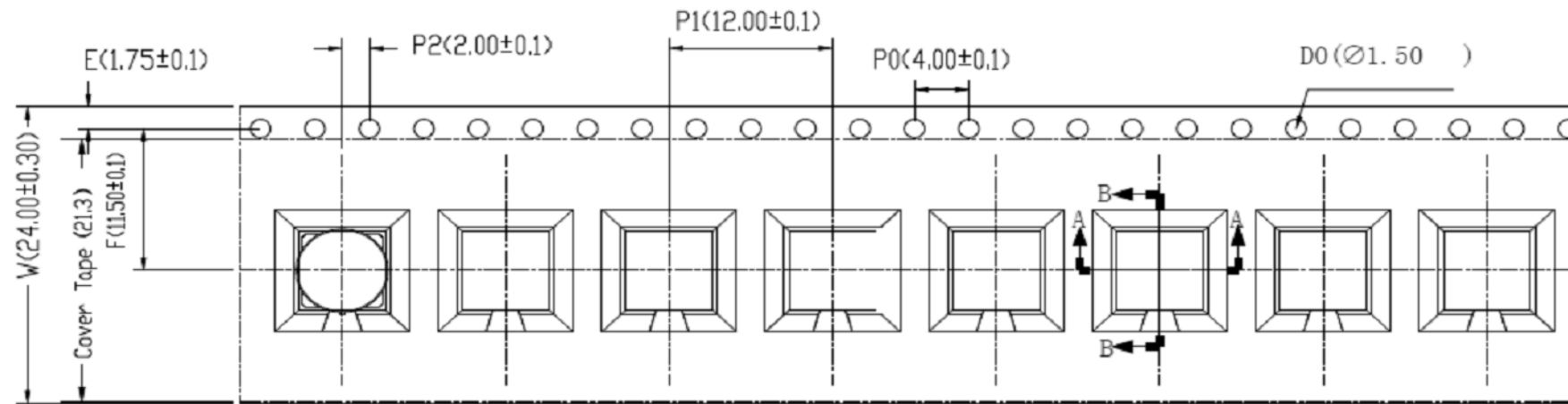
UNLESS OTHERWISE SPECIFIED, DIMENSIONS ARE IN METRIC AND TOLERANCES ARE:  
 <0.5mm ±0.05mm    0.5 - 6mm ±0.1mm    6 - 30mm ±0.2mm    30 - 120mm ±0.3mm    ANGLES ±1°

NOTICE - These drawings, specifications, or other data (1) are, and remain the property of Amphenol corp. (2) must be returned upon request; and (3) are confidential and not to be disclosed to any person other than those to whom they are given by Amphenol Corp. the furnishing of these drawings, specifications, or other data by Amphenol Corp., or to any other person to anyone for any purpose is not to be regarded by implication or otherwise in any manner licensing, granting rights to permitting such holder or any other person to manufacture, use or sell any product, process or design, patented or otherwise, that may in any way be related to or disclosed by said drawings, specifications, or other data.

MATERIAL	DRAWN S. DUAN	DATE 07-Jun-18	TITLE SMP STR JACK PCB RECEPTACLE LIMITED DETENT	Amphenol RF www.amphenolrf.com
REFERENCE 8020 AND SMP-MSLD-PCT12T	ENGINEER M. DEFRANCO	DATE 07-Jun-18		
CONFIGURATION LEVEL: In Work	APPROVED S. HSIEH	DATE 20-Jun-18	SCALE: 15.0:1.0 SHEET 2 OF 3	DRAWING NO. SMP-MSLD-PCT15T
FINISH	CAD FILE		DWG SIZE B	REV A
				ITEM NO. SMP-MSLD-PCT15T
				PART NO. SMP-MSLD-PCT15T

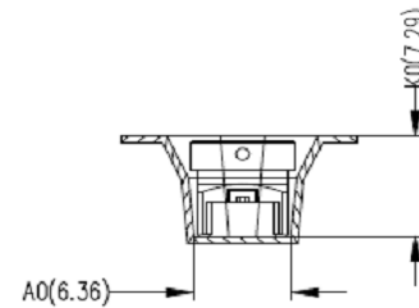
REV	DESCRIPTION	DATE	ECO	APPR
A	RELEASE TO MFG	07-Jun-18	08221	BMG

零件图



SECTION B-B

载带卷料方向



SECTION A-A

Notes:

1. 10 sprocket hole pitch cumulative tolerance  $\pm 0.20\text{mm}$   
(每10个链轮齿孔径累计公差为 $\pm 0.2\text{MM}$ )
2. Carrier camber not to exceed 1mm in 250mm.  
(传送料带弯曲变形度每250MM不超过1MM)
3.  $A_0$  and  $B_0$  measured on a plane 0.3mm above the bottom of the pocket. ( $A_0$ 与 $B_0$ 在同一平面测量且距口袋底部0.3MM)
4.  $K_0$  measured from a plane on the inside bottom of the pocket to the top surface of the carrier.  
( $K_0$ 为口袋底部与材料表面的平面距离。)
5. All dimensions meet EIA-481-D requirements.  
(所有尺寸符合EIA-481-D标准要求。)
6. Material: Black Antistatic polystyrene.  
(材料: 黑色抗静电聚苯乙烯。)
7. Thickness:  $0.50 \pm 0.05 \text{ mm}$ .  
(厚度:  $0.50 \pm 0.05$ 毫米。)
8. Packing length per 13" reel : 8.16Meters.  
(每个13"卷轴包装长度为8.16米。)
9. Component loader per 13" reel : 600 pcs.  
(每个13"卷轴可装600个零件。)

注:未注公差为 $\pm 0.10$

NOTE: ALL TOLERANCES ARE:  $\pm 0.10$ , EXCEPT WHERE NOTED

ITEM	W	$A_0$	$B_0$	$K_0$	$K_1$	$P_1$	F	E	$D_0$	$D_1$	$P_0$	$P_2$	T
DIM	$24 \pm 0.3$	$6.36 \pm 0.1$	$6.36 \pm 0.1$	$7.29 \pm 0.1$		$12.0 \pm 0.1$	$11.5 \pm 0.1$	$1.75 \pm 0.1$	$1.5 \pm 0.1$		$4.0 \pm 0.1$	$2.0 \pm 0.1$	$0.5 \pm 0.05$

UNLESS OTHERWISE SPECIFIED, DIMENSIONS ARE IN METRIC AND TOLERANCES ARE:  
 < 0.5mm  $\pm 0.05\text{mm}$     0.5 - 6mm  $\pm 0.1\text{mm}$     6 - 30mm  $\pm 0.2\text{mm}$     30 - 120mm  $\pm 0.3\text{mm}$     ANGLES  $\pm 1^\circ$

NOTICE - These drawings, specifications, or other data (1) are, and remain the property of Amphenol corp. (2) must be returned upon request; and (3) are confidential and not to be disclosed to any person other than those to whom they are given by Amphenol Corp. the furnishing of these drawings, specifications, or other data by Amphenol Corp., or to any other person to anyone for any purpose is not to be regarded by implication or otherwise in any manner licensing, granting rights to permitting such holder or any other person to manufacture, use or sell any product, process or design, patented or otherwise, that may in any way be related to or disclosed by said drawings, specifications, or other data.

MATERIAL	
REFERENCE	8020 AND SMP-MSLD-PCT12T
CONFIGURATION LEVEL:	In Work
FINISH	

DRAWN	S. DUAN	DATE	07-Jun-18
ENGINEER	M. DEFRANCO	DATE	07-Jun-18
APPROVED	S. HSIEH	DATE	20-Jun-18
CAD FILE			

TITLE	SMP STR JACK PCB RECEPTACLE LIMITED DETENT
SCALE:	19.0:1.0
SHEET	3 OF 3
DWG SIZE	B
REV	A

Amphenol RF	
www.amphenolrf.com	
DRAWING NO. SMP-MSLD-PCT15T	
ITEM NO. SMP-MSLD-PCT15T	
PART NO. SMP-MSLD-PCT15T	

## X-ON Electronics

Largest Supplier of Electrical and Electronic Components

*Click to view similar products for [RF Connectors / Coaxial Connectors](#) category:*

*Click to view products by [Amphenol](#) manufacturer:*

Other Similar products are found below :

[8915-1511-000](#) [89674-0827](#) [6001-7071-019](#) [6002-7051-003](#) [6002-7551-202](#) [6059674-1](#) [619550-1](#) [630059-000](#) [M39030/3-01N](#) [M3933/25-36N](#) [6500-7071-046](#) [6769](#) [CX050L2AQ](#) [7002-1542-011](#) [7004-1512-000](#) [7009-1511-004](#) [7010-1511-000](#) [7029-1511-060](#) [7101-1541-010](#) [7101-1571-002](#) [7105-1521-002](#) [7145-1521-002](#) [7203-1571-003](#) [7209-1511-011](#) [7210-1511-015](#) [7210-1511-019](#) [73137-5015](#) [73216-2241](#) [7325-1512-000](#) [73404-2300](#) [7405-1521-005](#) [7405-1521-802](#) [7406-1521-005](#) [8527](#) [8547](#) [FS11V](#) [8808-1511-001](#) [9049-9513-000](#) [9074-9513-000](#) [9101-9573-002](#) [910A205F](#) [9130-9573-002](#) [PL11SC-026](#) [PL375-33](#) [PL40-5](#) [PL71-9](#) [PL74C-221](#) [PL75MC-217](#) [PL803-7](#) [980-8666-005](#)