

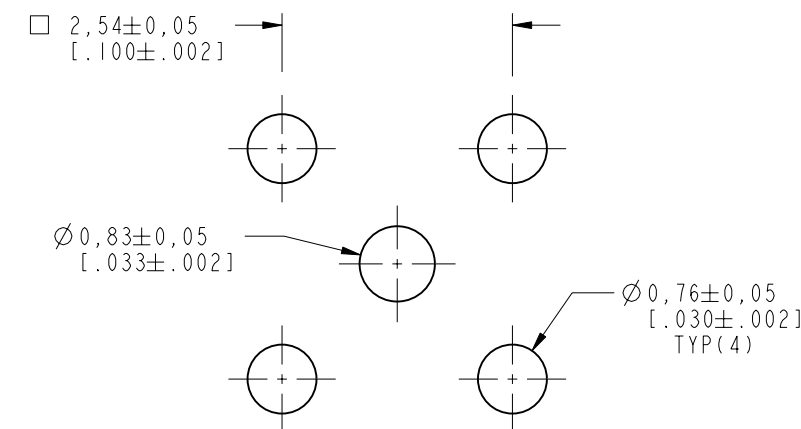
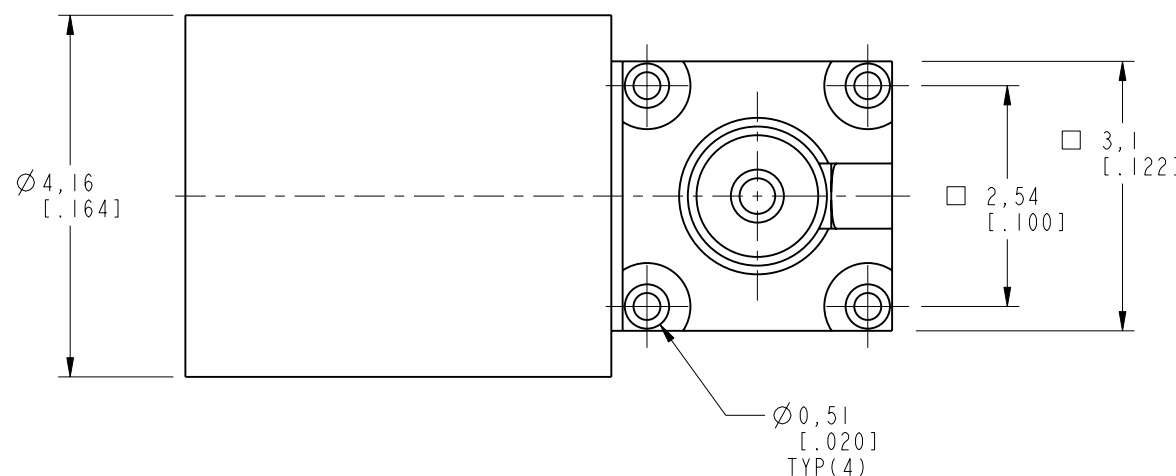
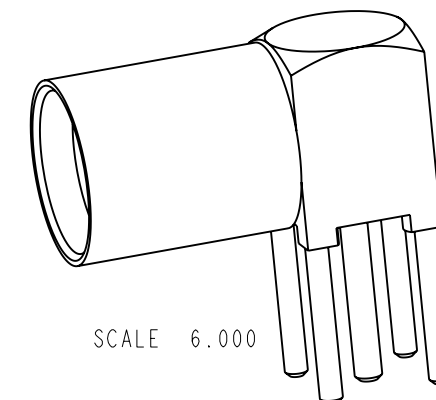
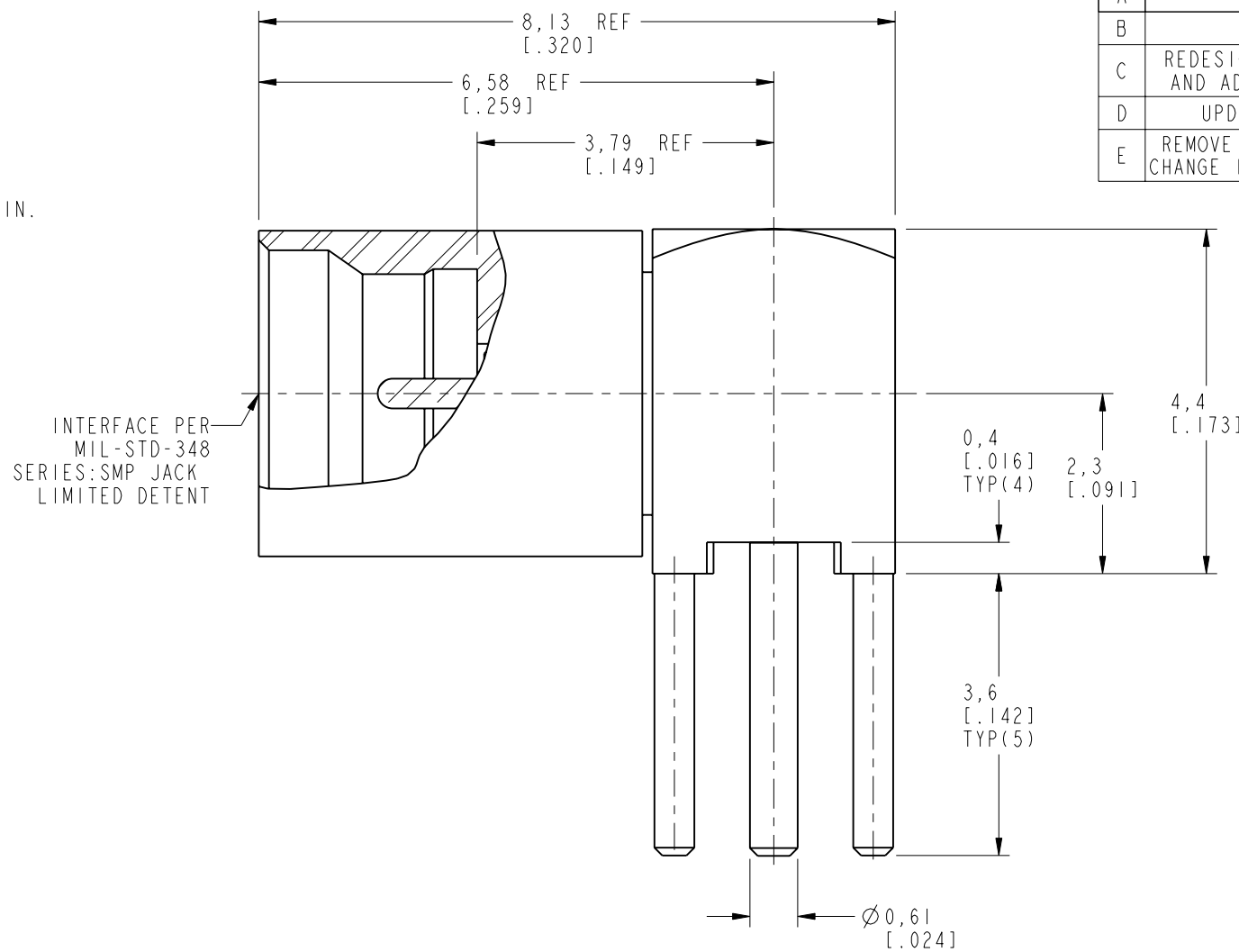
NOTES:

1. MATERIALS AND FINISHES:
  - BODY - STAINLESS STEEL, PASSIVATED
  - HOUSING - BRASS, GOLD PLATING
  - CONTACT - BeCu, GOLD PLATING
  - INSULATOR - PTFE
2. ELECTRICAL:
  - A. IMPEDANCE : 50 OHM
  - B. FREQUENCY RANGE : DC - 12 GHz
  - C. VSWR : 1.25 MAX.
  - D. DIELECTRIC WITHSTANDING VOLTAGE : 500 VRMS, MIN.
3. MECHANICAL:
  - A. DURABILITY : 500 CYCLES MIN.
  - B. TEMPERATURE RANGE : -65° C TO +165° C
4. PACKAGING:
  - A. QUANTITY: SINGLE PACK
  - B. MARKING: BAG TO BE MARKED  
"AMPHENOL RF, SMP-MSLD-PCT-6, AND DATE CODE"

THIRD ANGLE PROJ.

REVISIONS

| REV | DESCRIPTION  | DATE       | ECO   | APPR  |
|-----|--|------------|-------|-------|
| A   | RELEASE TO MFG.  | 05-Nov-10' | --    | BZ    |
| B   | SYNC ARFA AND DANBURY DRAWING  | 08-Jun-11' | 48632 | SCOTT |
| C   | REDESIGN TO PREVENT RING BURR AND INTERNAL CHIPS AND ADDED CHAMFER ON HOUSING / RD-DMI3011501J6      | 11-Dec-12  | 49029 | MJN   |
| D   | UPDATED NOTE 4: PACKAGING\RD-DMI3112001R3  | 03-Dec-13  | 49440 | MJD   |
| E   | REMOVE SPECIAL HARRIS LABEL FROM THE DRAWING AND CHANGE IT TO OUR STANDARD LABELING.\RD-DMI5010701R3 | 21-Jan-15  | 50188 | RM    |



RECOMMENDED MOUNTING HOLE DIMENSION

**CUSTOMER OUTLINE DRAWING**

ALL OTHER SHEETS ARE FOR INTERNAL USE ONLY

UNLESS OTHERWISE SPECIFIED, DIMENSIONS ARE IN METRIC AND TOLERANCES ARE:  
 <0.5mm ±0.05mm    0.5 - 6mm ±0.1mm    6 - 30mm ±0.2mm    30 - 120mm ±0.3mm    ANGLES ±1°

NOTICE - These drawings, specifications, or other data (1) are, and remain the property of Amphenol corp. (2) must be returned upon request; and (3) are confidential and not to be disclosed to any person other than those to whom they are given by Amphenol Corp. the furnishing of these drawings, specifications, or other data by Amphenol Corp., or to any other person to anyone for any purpose is not to be regarded by implication or otherwise in any manner licensing, granting rights to permitting such holder or any other person to manufacture, use or sell any product, process or design, patented or otherwise, that may in any way be related to or disclosed by said drawings, specifications, or other data.

|                      |            |
|----------------------|------------|
| MATERIAL             | SEE NOTES  |
| REFERENCE            | EAR # 3786 |
| CONFIGURATION LEVEL: | □□□□       |
| FINISH               |            |

|          |          |      |           |
|----------|----------|------|-----------|
| DRAWN    | R. MAO   | DATE | 28-Nov-13 |
| ENGINEER | R. MAO   | DATE | 21-Jan-15 |
| APPROVED | S. HSIEH | DATE | 21-Jan-15 |
| CAD FILE |          |      |           |

|          |                                       |              |
|----------|---------------------------------------|--------------|
| TITLE    | SMP JACK R/A LIMITED DETENT PCB MOUNT |              |
| SCALE:   | 11.5:1.0                              | SHEET 2 OF 2 |
| DWG SIZE | B                                     | REV E        |

|                    |                |
|--------------------|----------------|
| Amphenol RF        |                |
| www.amphenolrf.com |                |
| DRAWING NO.        | SMP-MSLD-PCT-6 |
| ITEM NO.           | SMP-MSLD-PCT-6 |
| PART NO.           | SMP-MSLD-PCT-6 |

## X-ON Electronics

Largest Supplier of Electrical and Electronic Components

*Click to view similar products for [RF Connectors / Coaxial Connectors](#) category:*

*Click to view products by [Amphenol](#) manufacturer:*

Other Similar products are found below :

[8915-1511-000](#) [89674-0827](#) [6001-7071-019](#) [6002-7051-003](#) [6002-7551-202](#) [6059674-1](#) [619550-1](#) [630059-000](#) [M39030/3-01N](#) [M3933/25-36N](#) [6500-7071-046](#) [6769](#) [CX050L2AQ](#) [7002-1542-011](#) [7004-1512-000](#) [7009-1511-004](#) [7010-1511-000](#) [7029-1511-060](#) [7101-1541-010](#) [7101-1571-002](#) [7105-1521-002](#) [7145-1521-002](#) [7203-1571-003](#) [7209-1511-011](#) [7210-1511-015](#) [7210-1511-019](#) [73137-5015](#) [73216-2241](#) [7325-1512-000](#) [73404-2300](#) [7405-1521-005](#) [7405-1521-802](#) [7406-1521-005](#) [8527](#) [8547](#) [FS11V](#) [8808-1511-001](#) [9049-9513-000](#) [9074-9513-000](#) [9101-9573-002](#) [910A205F](#) [9130-9573-002](#) [PL11SC-026](#) [PL375-33](#) [PL40-5](#) [PL71-9](#) [PL74C-221](#) [PL75MC-217](#) [PL803-7](#) [980-8666-005](#)