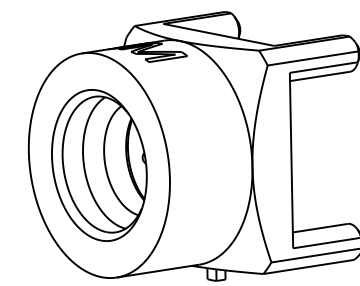


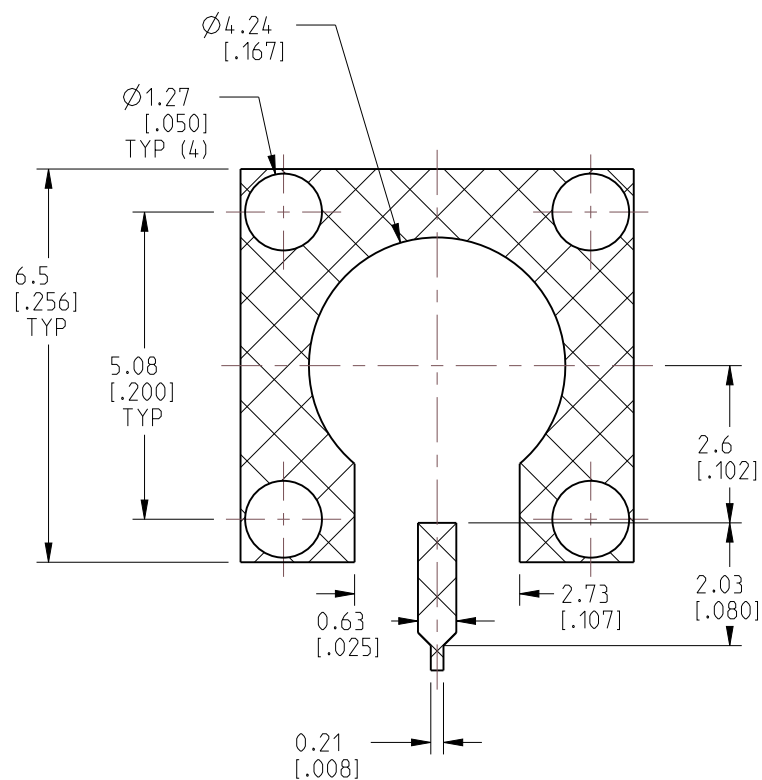
NOTES:

1. MATERIALS AND FINISHES:  
 BODY - BeCu, GOLD PLATING  
 CONTACT - BeCu, GOLD PLATING  
 INSULATOR - LCP E130i
2. ELECTRICAL:  
 A. IMPEDANCE: 50 OHM  
 B. FREQUENCY RANGE: DC - 20 GHz  
 C. RETURN LOSS: 1.10 MAX. (-26.4 dB MIN.), @ DC - 8 GHz  
 1.22 MAX. (-20 dB MIN.), @ 8 - 20 GHz  
 CONNECTOR ONLY. PERFORMANCE WILL VARY  
 BASED ON BOARD LAYOUT.  
 D. DIELECTRIC WITHSTANDING VOLTAGE: 500 VRMS. MIN.
3. MECHANICAL:  
 A. DURABILITY: 500 CYCLES MIN.  
 B. ENGAGEMENT FORCE: 10 LBS (45 N) MAX.  
 C. DISENGAGEMENT FORCE: 2 LBS (9 N) MIN.  
 D. INNER CONTACT RETENTION FORCE: 1.5 LBS (7 N) MIN.  
 E. TEMPERATURE RANGE: -65°C TO +165°C
4. PACKAGING:  
 A. QUANTITY: 50 PCS TRAY  
 B. MARKING: BAG TO BE MARKED  
 "AMPHENOL RF, SMP-MSLD-PCT-NM AND DATE CODE"

REVISIONS				
REV	DESCRIPTION	DATE	ECN	BY
A	RELEASE TO MFG.	18-Nov-22	16309	SH

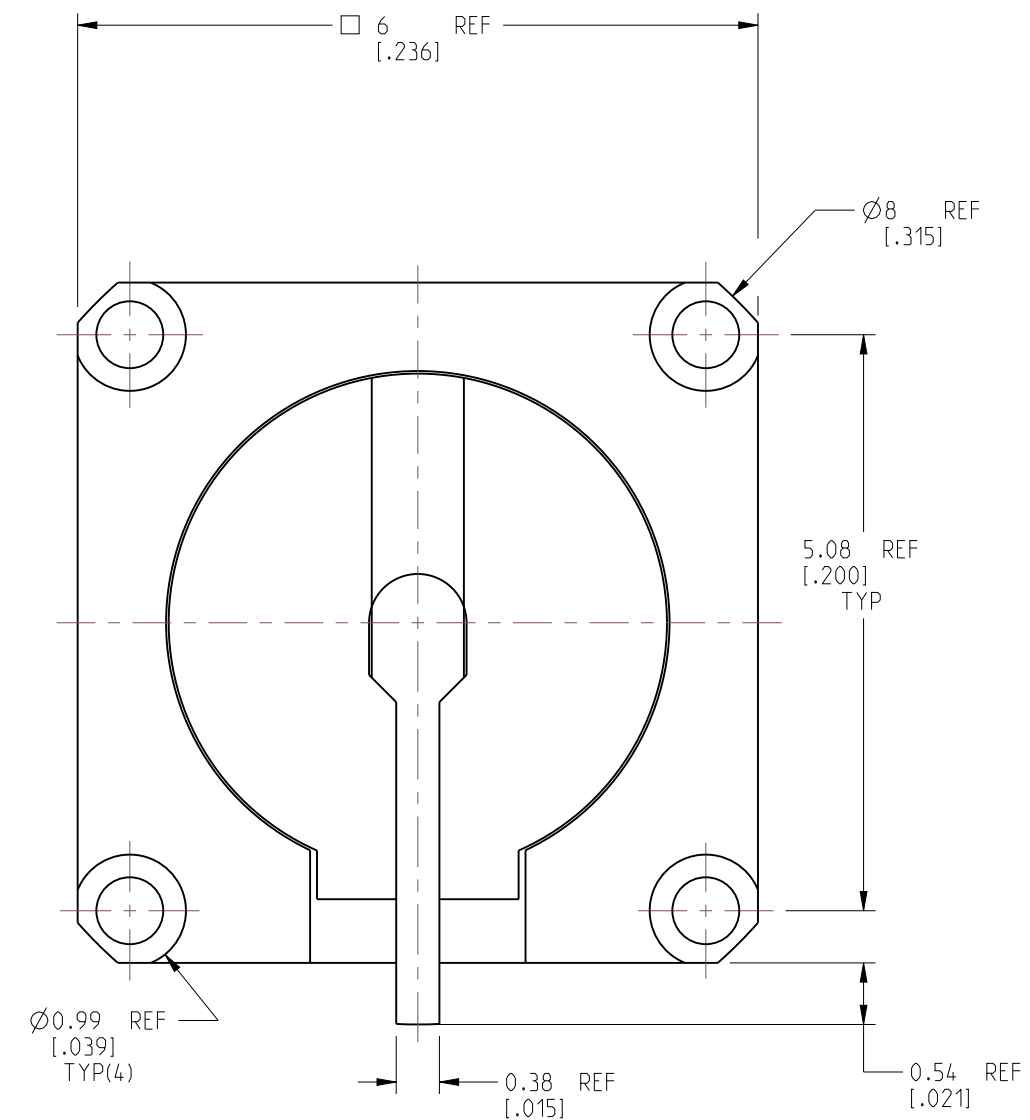
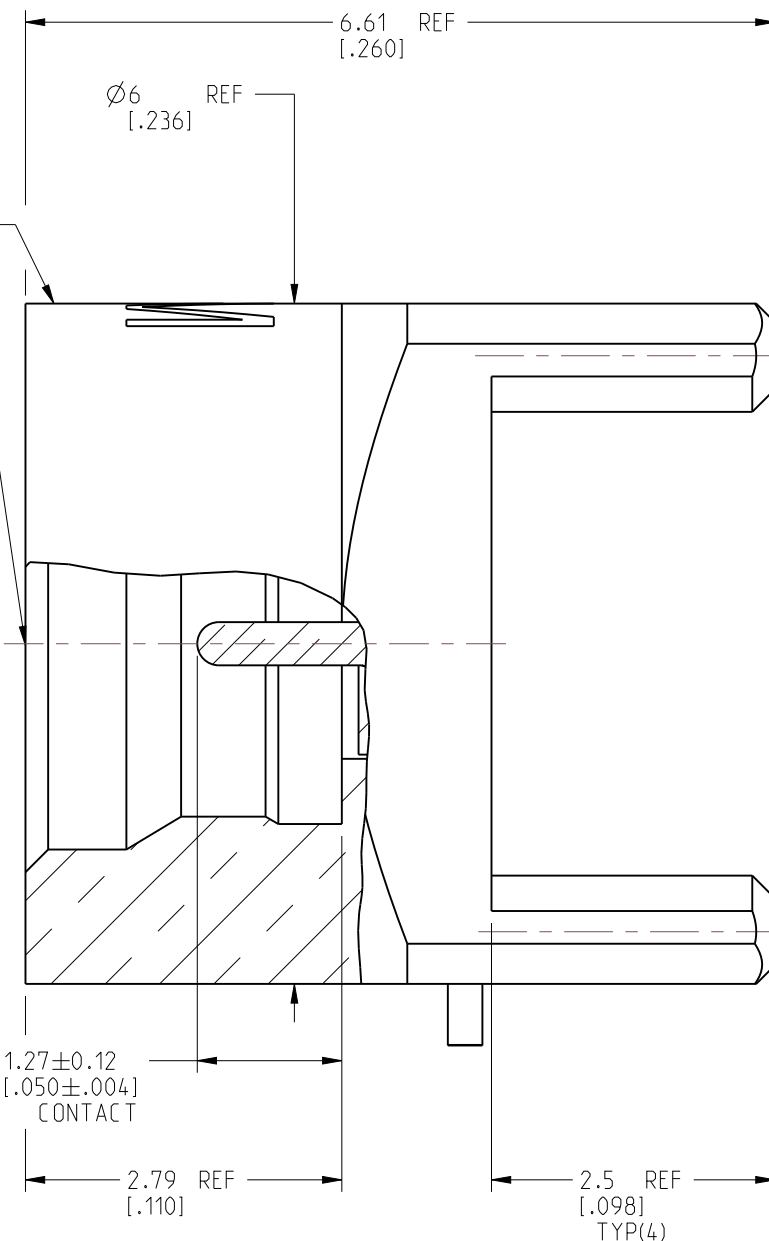


SCALE 5.000



THIS SURFACE MARKED "NM"  
 TO SIGNIFY NON-MAGNETIC CONNECTORS

INTERFACE PER  
 MIL-STD-348  
 SERIES: SMP JACK  
 LIMITED DETENT



**CUSTOMER OUTLINE DRAWING**  
 ALL OTHER SHEETS ARE FOR INTERNAL USE ONLY

NOTICE: These drawings, specifications, or other data (1) are, and remain the property of Amphenol corp. (2) must be returned upon request; and (3) are confidential and not to be disclosed to any person other than those to whom they are given by Amphenol Corp. The furnishing of these drawings, specifications, or other data by Amphenol Corp., or to any other person to anyone for any purpose is not to be regarded by implication or otherwise in any manner licensing, granting rights to permitting such holder or any other person to manufacture, use or sell any product, process or design, patented or otherwise, that may in any way be related to or disclosed by said drawings, specifications, or other data.

UNLESS OTHERWISE SPECIFIED  
 DIMENSIONS ARE METRIC (INCHES) AND TOLERANCES ARE:  
 <0.5mm = ±0.05mm [-0.020 = ±0.002]  
 0.5 - 6mm = ±0.1mm [-0.020 - 0.236 = ±0.004]  
 >6.00 - 30mm = ±0.2mm [-0.236 - 1.181 = ±0.008]  
 >30.00 - 120mm = ±0.3mm [-1.181 - 4.725 = ±0.012]

ANGLES = ±1°

MATERIAL

ENGR.1 S.VO ENGR.2 L.QIN DATE 21-OCT-20

TITLE  
 SMP STR JACK  
 PCB RECEPTACLE  
 LIMITED DETENT  
 NON-MAGNETIC

SHEET NO. 2 OF 2 SCALE: 15.0:1.0

Amphenol RF

SIZE	DRAWING NO. SMP-MSLD-PCT-NM	REV
	ITEM NO. SMP-MSLD-PCT-NM	A
	PART NO. SMP-MSLD-PCT-NM	



REFERENCE EAR# 8889

## X-ON Electronics

Largest Supplier of Electrical and Electronic Components

*Click to view similar products for [RF Connectors / Coaxial Connectors](#) category:*

*Click to view products by [Amphenol](#) manufacturer:*

Other Similar products are found below :

[89674-0827](#) [6059674-1](#) [630059-000](#) [6501-1071-002](#) [6769](#) [7002-1541-010](#) [7002-1572-002](#) [7004-1512-000](#) [7009-1511-004](#) [7101-1541-010](#)  
[7101-1571-002](#) [7105-1521-002](#) [7203-1571-003](#) [7209-1511-011](#) [7210-1511-040](#) [7242-1511-000](#) [7405-1521-005](#) [7405-1521-802](#)  
[804S01D04M040](#) [8527](#) [8547](#) [FS11V](#) [877931](#) [8808-1511-001](#) [9049-9513-000](#) [9074-9513-000](#) [PL11C-026](#) [PL40-36](#) [9408-1113-000](#) [980-](#)  
[8666-005](#) [11 SMA-50-2-6 / 111 NE](#) [11 SMA-50-3-6 / 111 NE](#) [1-201144-1](#) [120919](#) [R107003010W](#) [R112186000](#) [R113053000W](#) [R113082097](#)  
[R113236000](#) [R114083000](#) [R114670000W](#) [R123415000W](#) [R124076320](#) [R124076450](#) [R124175123](#) [R125075000W](#) [R125075001](#)  
[R125172000W](#) [R125415030](#) [R141007161](#)