

NOTES:

1. MATERIALS AND FINISHES:  
 BODY - BRASS, GOLD PLATING  
 CONTACT - BeCu, GOLD PLATING  
 INSULATOR - PTFE, NATURAL

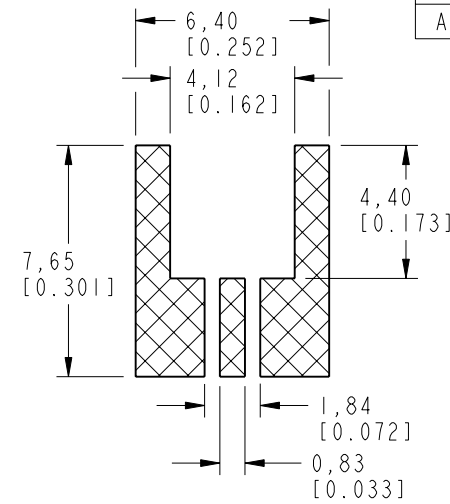
2. ELECTRICAL:  
 A. IMPEDANCE: 50 OHM  
 B. FREQUENCY RANGE: DC - 26.5 GHz  
 C. VSWR(RETURN LOSS): 1.11 MAX (-26 dB MIN) @ DC-6 GHz  
 1.22 MAX (-20 dB MIN) @ 6-18 GHz  
 1.33 MAX (-17 dB MIN) @ 18-26.5 GHz  
 CONNECTOR ONLY, PERFORMANCE WILL VARY  
 BASED ON BOARD LAYOUT  
 D. DIELECTRIC WITHSTANDING VOLTAGE: 500 VRMS, MIN.

3. MECHANICAL:  
 A. DURABILITY: 500 CYCLES MIN.  
 B. TEMPERATURE RANGE: -65°C TO +165°C  
 C. ENGAGEMENT FORCE: 2 LBS (9 N) MAX.  
 D. DISENGAGEMENT FORCE: 0.5 LBS (2.2 N) MIN.

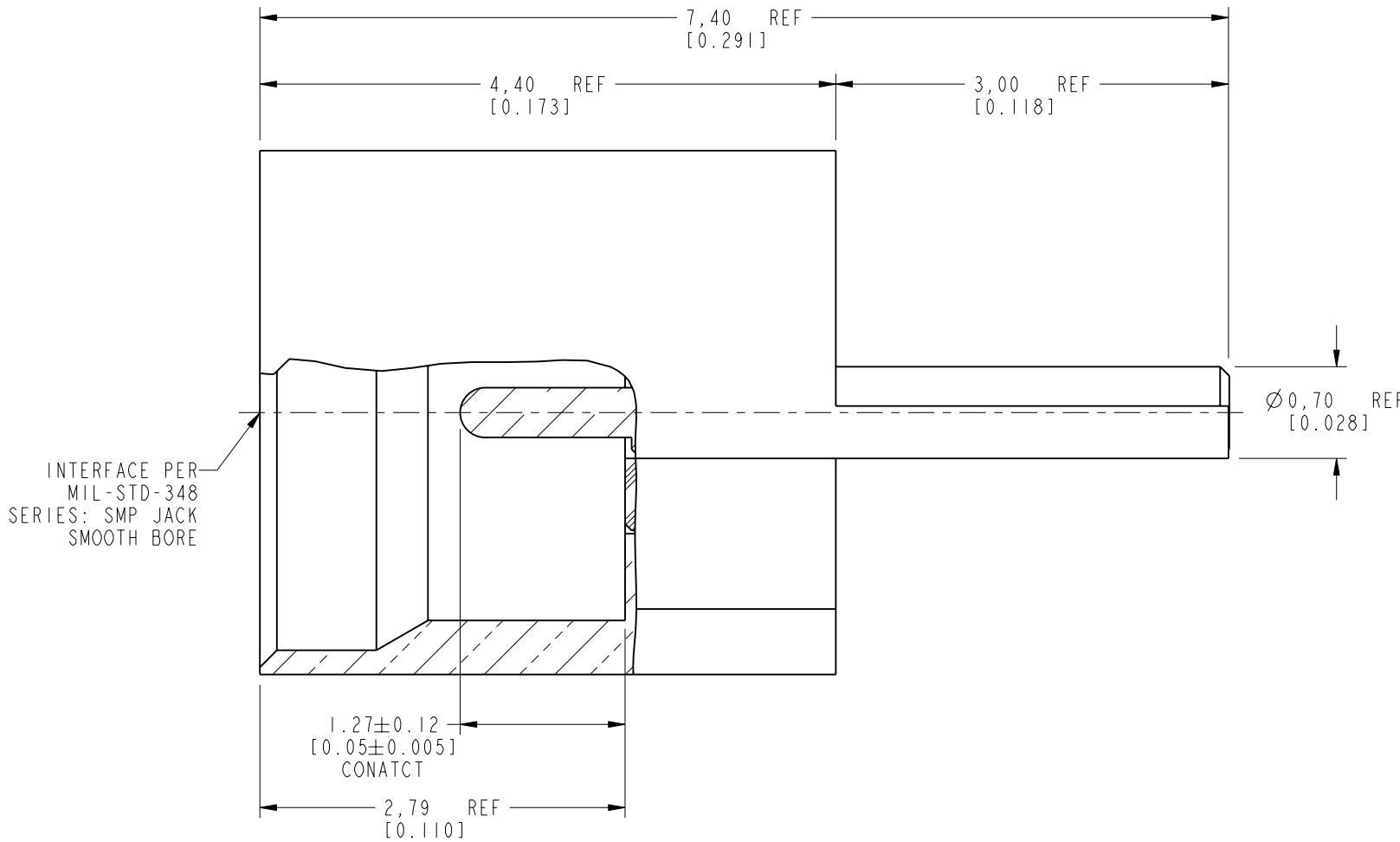
4. PACKAGING:  
 A. QUANTITY: SEE TABLE  
 B. MARKING: REEL OR TRAY TO BE MARKED  
 "AMPHENOL RF, PART NUMBER, YYWW"

PART NUMBER	PACKAGING METHOD	QUANTITY
SMP-MSSB-PCE-4	TRAY	50
SMP-MSSB-PCE-4T	TAPE & REEL	1000

THIRD ANGLE PROJ.

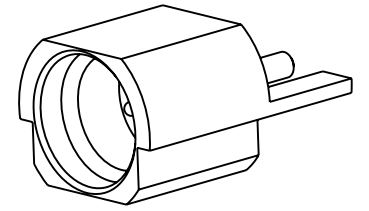


RECOMMENDED  
PCB LAYOUT

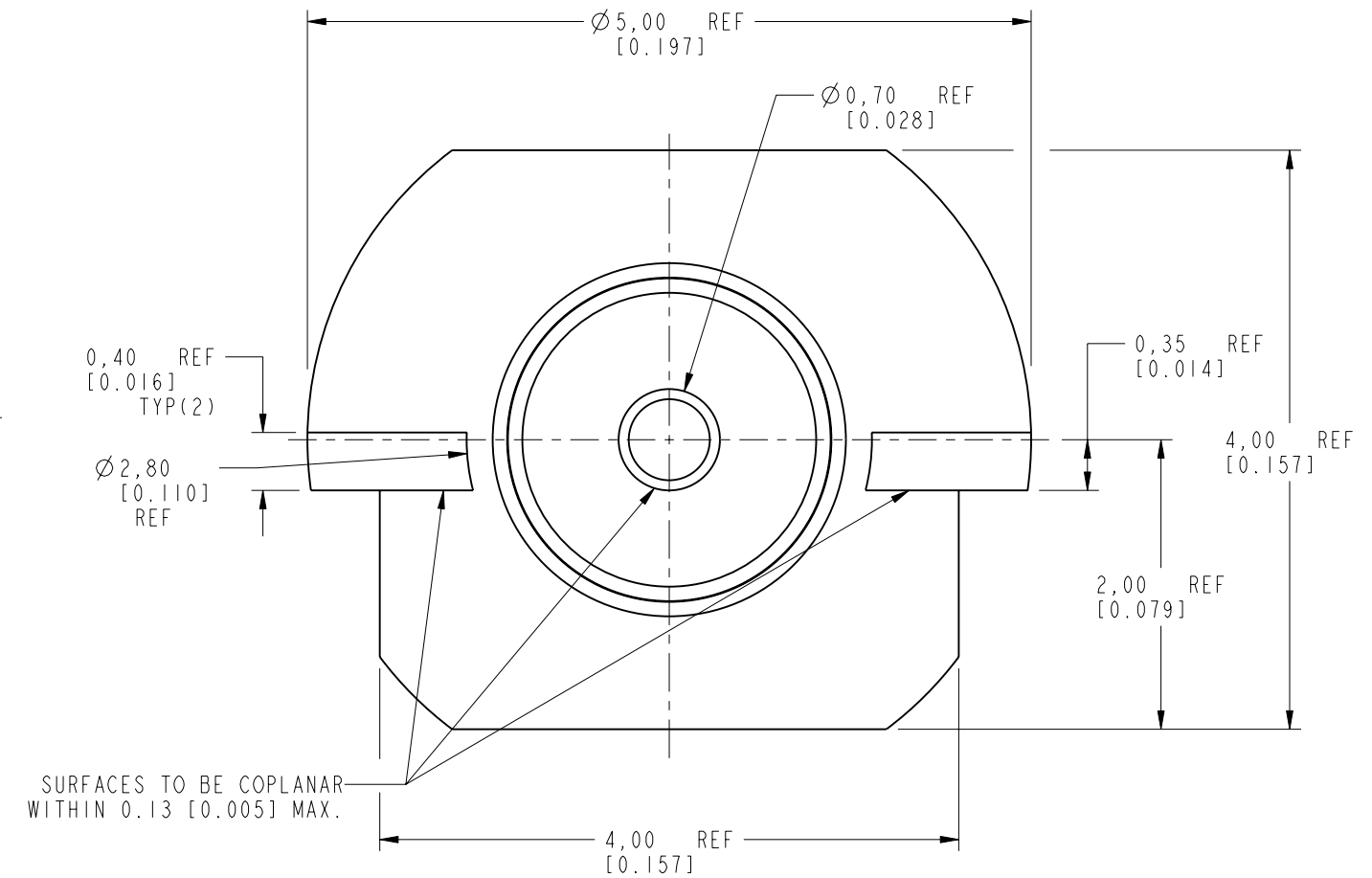


INTERFACE PER  
MIL-STD-348  
SERIES: SMP JACK  
SMOOTH BORE

REV		DESCRIPTION	DATE	ECN	APPR
A		RELEASE TO MFG.	18-Jun-19	11903	EH



SCALE 5.000



SURFACES TO BE COPLANAR  
WITHIN 0.13 [0.005] MAX.

**CUSTOMER OUTLINE DRAWING**

ALL OTHER SHEETS ARE FOR INTERNAL USE ONLY

UNLESS OTHERWISE SPECIFIED, DIMENSIONS ARE IN METRIC AND TOLERANCES ARE:  
 <0.5mm ±0.05mm    0.5 - 6mm ±0.1mm    6 - 30mm ±0.2mm    30 - 120mm ±0.3mm    ANGLES ±1°

NOTICE - These drawings, specifications, or other data (1) are, and remain the property of Amphenol corp. (2) must be returned upon request; and (3) are confidential and not to be disclosed to any person other than those to whom they are given by Amphenol Corp. the furnishing of these drawings, specifications, or other data by Amphenol Corp., or to any other person to anyone for any purpose is not to be regarded by implication or otherwise in any manner licensing, granting rights to permitting such holder or any other person to manufacture, use or sell any product, process or design, patented or otherwise, that may in any way be related to or disclosed by said drawings, specifications, or other data.

MATERIAL: SEE NOTES

REFERENCE: EAR# 8533, REF: SMP-MSLD-PCE-5

CONFIGURATION LEVEL: In Work

FINISH

DRAWN: S. DUAN    DATE: 28-Jun-19

ENGINEER: KRISHNA S    DATE: 31-Jan-19

APPROVED:    DATE:

CAD FILE

TITLE: SMP STR JACK SMOOTH BORE EDGE MOUNT

SCALE: 20.0:1.0 | SHEET 2 OF 3

DWG SIZE: B    REV: A

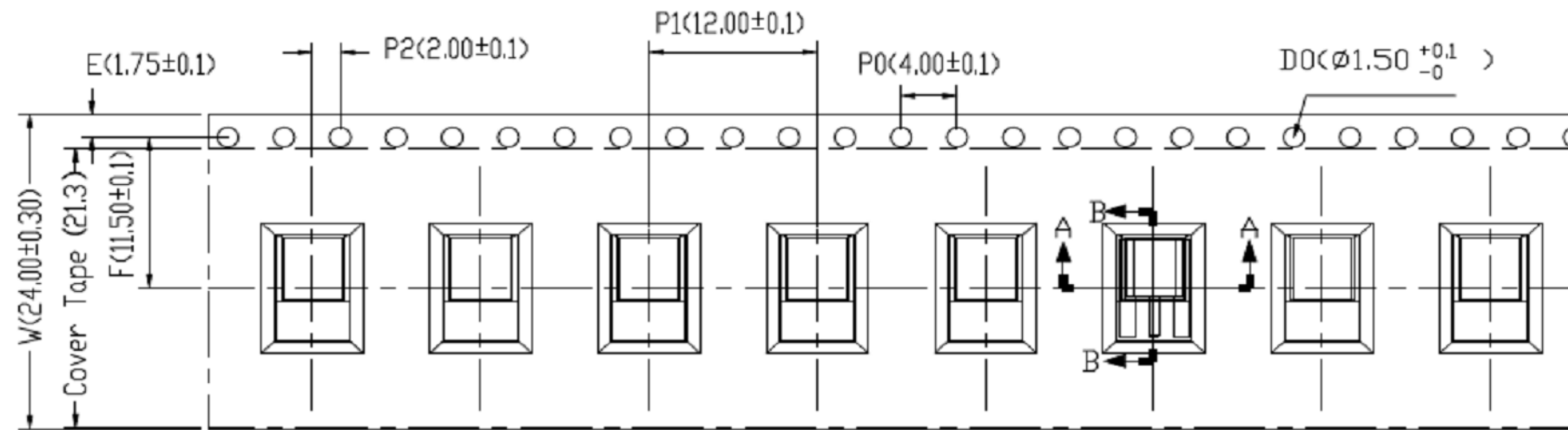
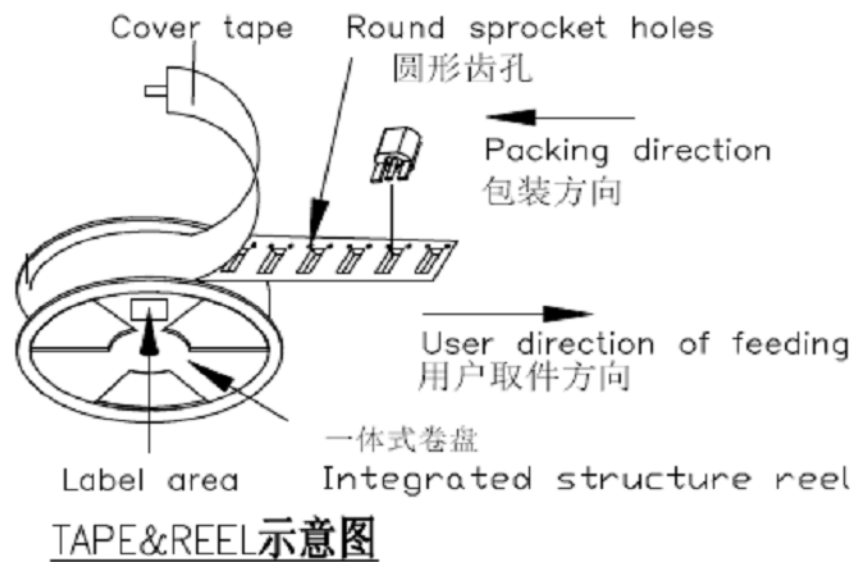
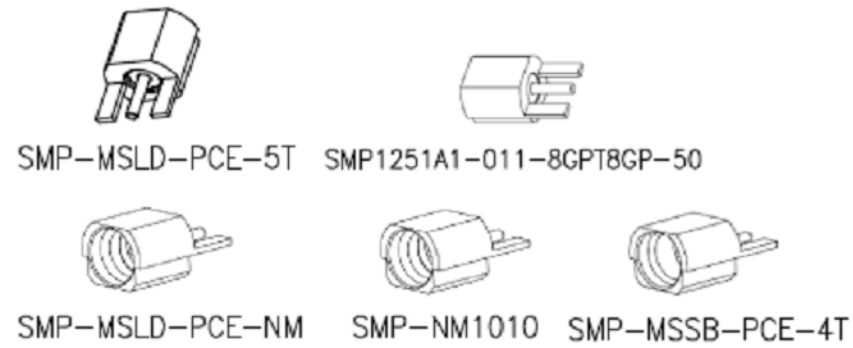
Amphenol RF  
www.amphenolrf.com

DRAWING NO. SMP-MSSB-PCE-4X

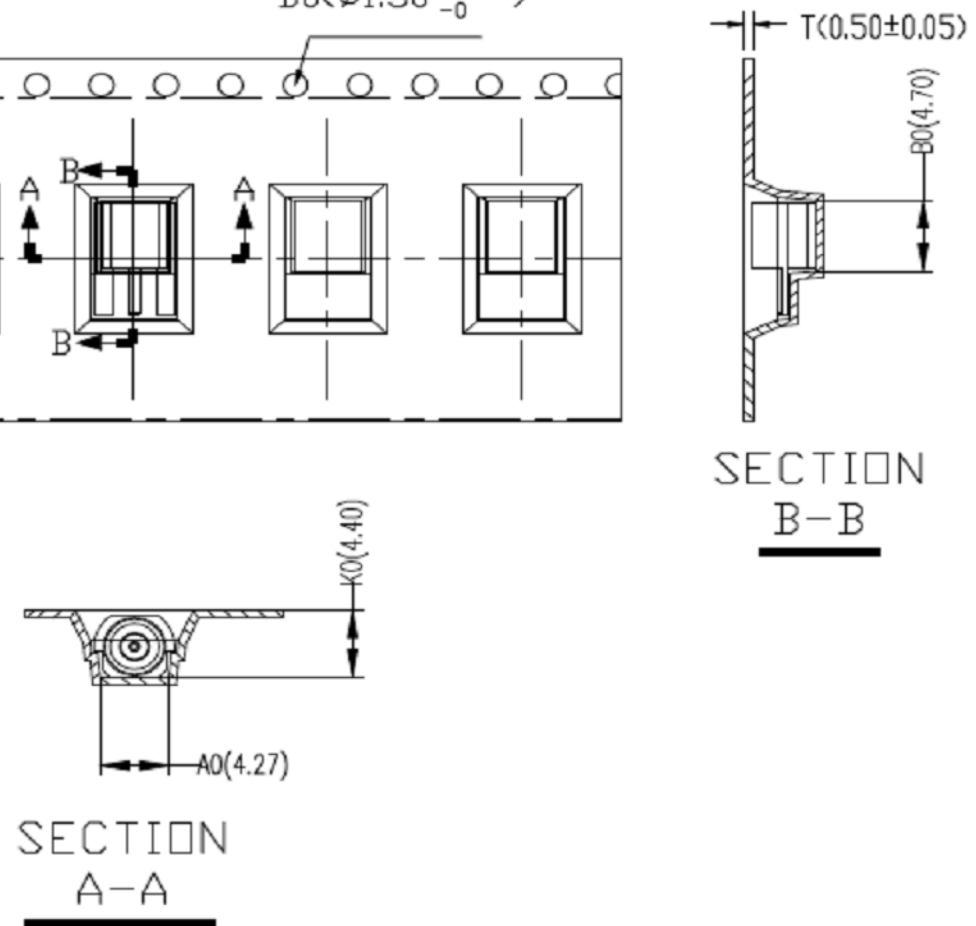
ITEM NO. SMP-MSSB-PCE-4X

PART NO. SMP-MSSB-PCE-4X

REV	DESCRIPTION	DATE	ECN	APPR
A	RELEASE TO MFG.	28-Jun-19	11903	EH



用户取件方向  
User direction of feeding



NOTES:

1. 10 sprocket holes pitch cumulative tolerance  $\pm 0.20$  mm.
2. Carrier camber not to exceed 1 mm in 250 mm.
3. A0 and B0 measured on a plane 0.3 mm above the bottom of the pocket.
4. K0 measured from a plane on the inside bottom of the pocket to the top surface of the carrier.
5. All dimensions meet EIA-481-D requirements.
6. Material: Carrier TAPE, Black PS; REEL, Blue (RoHS Compliant)
7. Thickness:  $0.50 \pm 0.05$  mm.
8. Packing length per 13" reel: 12.96 Meters.
9. Component loader per 13" reel: 1000 pcs.

注:未注公差为 $\pm 0.10$   
NOTE: ALL TOLERANCES ARE:  $\pm 0.10$ , EXCEPT WHERE NOTED

ITEM	W	A0	B0	K0	K1	P1	F	E	D0	D1	P0	P2	T
DIM	24.00 $\pm 0.3$	4.27 $\pm 0.1$	4.70 $\pm 0.1$	4.40 $\pm 0.1$		12.00 $\pm 0.1$	11.50 $\pm 0.1$	1.75 $\pm 0.1$	1.50 $^{+0.10}_{-0.00}$		4.00 $\pm 0.1$	2.00 $\pm 0.1$	0.50 $\pm 0.05$

UNLESS OTHERWISE SPECIFIED, DIMENSIONS ARE IN METRIC AND TOLERANCES ARE:  
 <0.5mm  $\pm 0.05$ mm    0.5 - 6mm  $\pm 0.1$ mm    6 - 30mm  $\pm 0.2$ mm    30 - 120mm  $\pm 0.3$ mm    ANGLES  $\pm 1^\circ$

NOTICE - These drawings, specifications, or other data (1) are, and remain the property of Amphenol corp. (2) must be returned upon request; and (3) are confidential and not to be disclosed to any person other than those to whom they are given by Amphenol Corp. the furnishing of these drawings, specifications, or other data by Amphenol Corp., or to any other person to anyone for any purpose is not to be regarded by implication or otherwise in any manner licensing, granting rights to permitting such holder or any other person to manufacture, use or sell any product, process or design, patented or otherwise, that may in any way be related to or disclosed by said drawings, specifications, or other data.

MATERIAL	DRAWN S. DUAN	DATE 28-Jun-19	TITLE SMP STR JACK SMOOTH BORE EDGE MOUNT	Amphenol RF www.amphenolrf.com
REFERENCE EAR# 8533	ENGINEER KRISHNA S	DATE 31-Jan-19		
REF: SMP-MSLD-PCE-5	APPROVED	DATE		
CONFIGURATION LEVEL: In Work	CAD FILE	DWG SIZE B	SCALE: 22.0:1.0 SHEET 3 OF 3	DRAWING NO. SMP-MSSB-PCE-4X
FINISH		REV A		ITEM NO. SMP-MSSB-PCE-4X
				PART NO. SMP-MSSB-PCE-4X

## X-ON Electronics

Largest Supplier of Electrical and Electronic Components

*Click to view similar products for [RF Connectors / Coaxial Connectors](#) category:*

*Click to view products by [Amphenol](#) manufacturer:*

Other Similar products are found below :

[8915-1511-000](#) [89674-0827](#) [6001-7071-019](#) [6002-7051-003](#) [6002-7551-202](#) [6059674-1](#) [619550-1](#) [630059-000](#) [M39030/3-01N](#) [6500-7071-046](#) [6769](#) [CX050L2AQ](#) [7002-1542-011](#) [7004-1512-000](#) [7009-1511-004](#) [7010-1511-000](#) [7029-1511-060](#) [7101-1541-010](#) [7101-1571-002](#) [7105-1521-002](#) [7145-1521-002](#) [7203-1571-003](#) [7209-1511-011](#) [7210-1511-015](#) [7210-1511-019](#) [73137-5015](#) [73216-2241](#) [73404-2300](#) [7405-1521-005](#) [7405-1521-802](#) [7406-1521-005](#) [8527](#) [8547](#) [FS11V](#) [8808-1511-001](#) [9049-9513-000](#) [9074-9513-000](#) [9101-9573-002](#) [910A205F](#) [9130-9573-002](#) [PL11SC-026](#) [PL375-33](#) [PL40-5](#) [PL71-9](#) [PL74C-221](#) [PL75MC-217](#) [PL803-7](#) [980-8666-005](#) [1200690078](#) [1-201144-1](#)