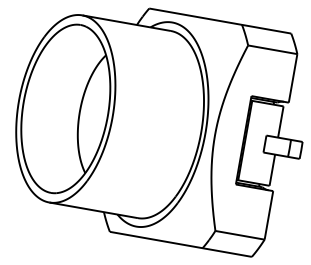


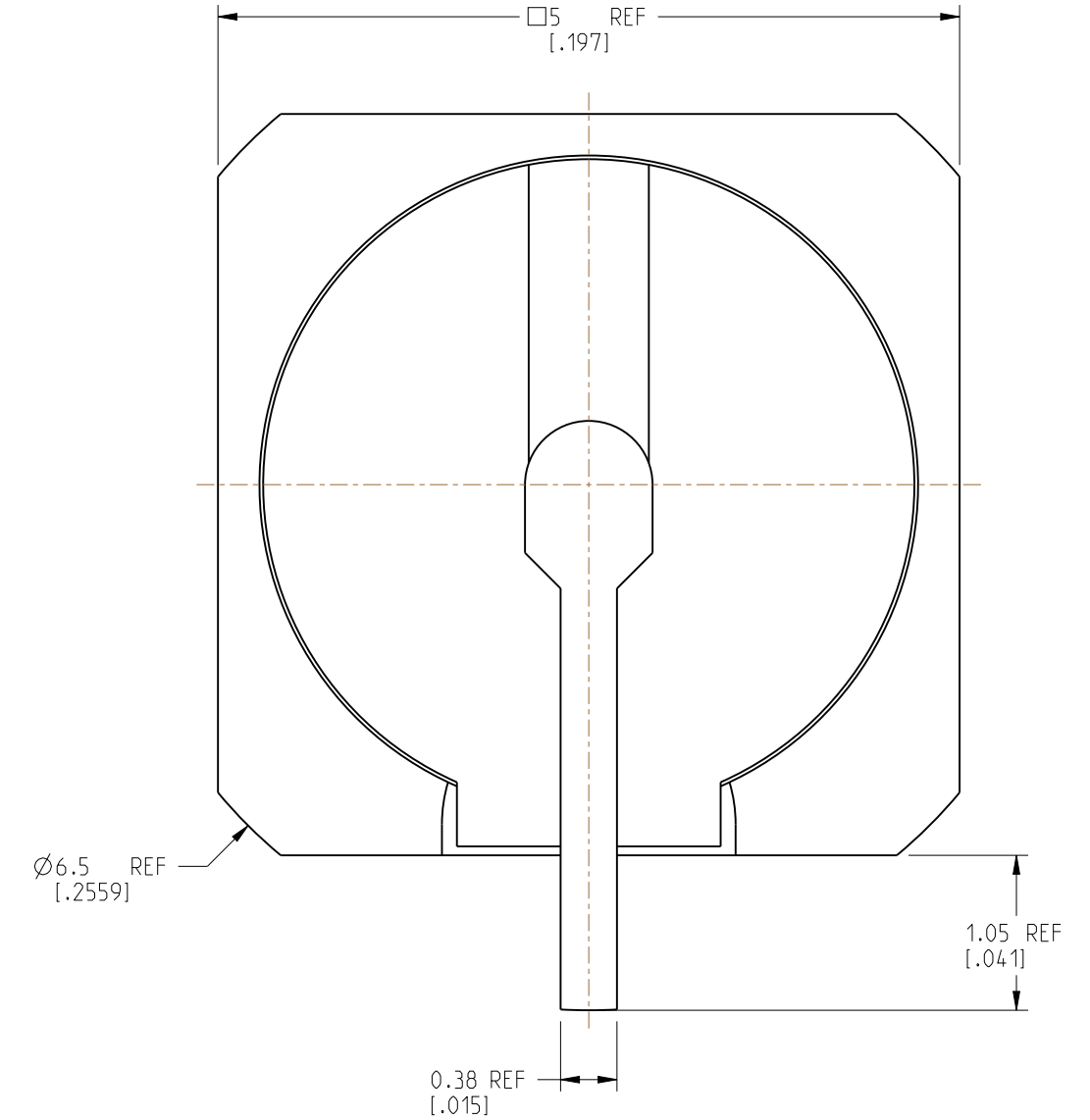
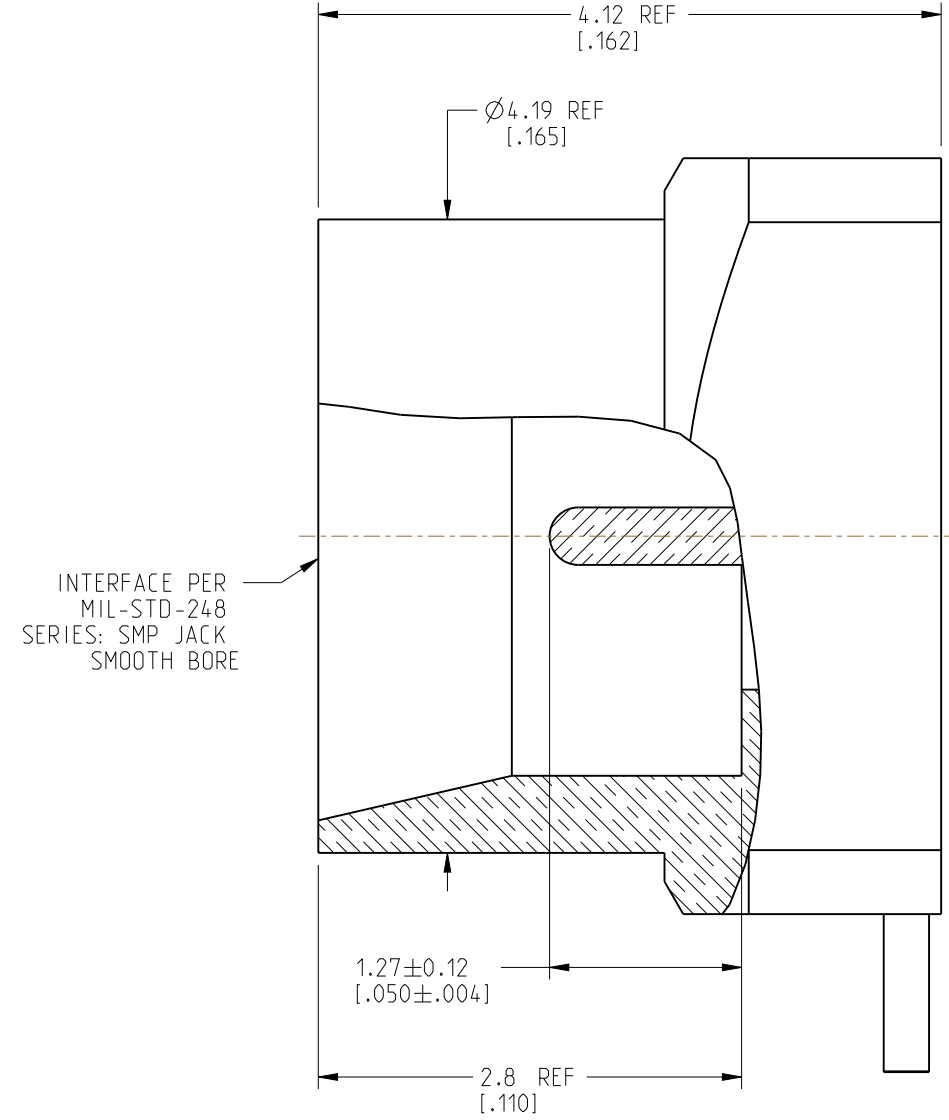
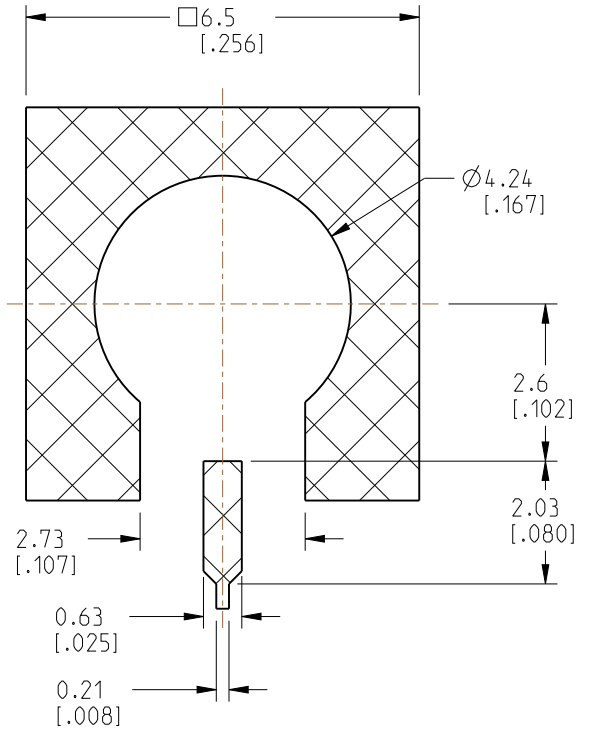
NOTES:

1. MATERIALS AND FINISHES:
 BODY - BRASS, GOLD PLATING
 CONTACT - BRASS, GOLD PLATING
 INSULATOR - LCP E130i, NATURAL
2. ELECTRICAL:
 A. IMPEDANCE: 50 OHM
 B. FREQUENCY RANGE: DC-20 GHz
 C. VSWR (RETURN LOSS): 1.10 (-26.4 dB MIN.) MAX. @ DC-8 GHz
 1.22 (-20 dB MIN.) MAX. @ 8-20 GHz
 CONNECTOR ONLY, PERFORMANCE WILL VARY BASED ON BOARD LAYOUT.
 D. DIELECTRIC WITHSTANDING VOLTAGE: 500 VRMS, MIN.
3. MECHANICAL:
 A. DURABILITY: 1000 CYCLES MIN.
 B. TEMPERATURE RANGE: -40°C TO +85°C
4. PACKAGING:
 A. QUANTITY: 50 PCS/TRAY
 B. MARKING: PACKAGING TO BE MARKED
 "AMPHENOL RF, SMP-MSSB-PCS-17, AND DATE CODE"

REVISIONS				
REV	DESCRIPTION	DATE	ECN	APPR
A	RELEASE TO MFG.	29-JUN-20	15254	EH



SCALE 6.000



CUSTOMER OUTLINE DRAWING
 ALL OTHER SHEETS ARE FOR INTERNAL USE ONLY

NOTICE: These drawings, specifications, or other data (1) are, and remain the property of Amphenol corp. (2) must be returned upon request; and (3) are confidential and not to be disclosed to any person other than those to whom they are given by Amphenol Corp. The furnishing of these drawings, specifications, or other data by Amphenol Corp., or to any other person to anyone for any purpose is not to be regarded by implication or otherwise in any manner licensing, granting rights to permitting such holder or any other person to manufacture, use or sell any product, process or design, patented or otherwise, that may in any way be related to or disclosed by said drawings, specifications, or other data.

UNLESS OTHERWISE SPECIFIED DIMENSIONS ARE METRIC [INCHES] AND TOLERANCES ARE:
 <0.5mm = ±0.05mm [-0.020 = ±0.002]
 >0.5 - 6mm = ±0.1mm [0.020 - 0.236 = ±0.004]
 >6.00 - 30mm = ±0.2mm [0.236 - 1.181 = ±0.008]
 >30.00 - 120mm = ±0.3mm [1.181 - 4.725 = ±0.012]

ANGLES = ±1°

MATERIAL NOTE 1
 ENGINEER E. HILL
 DATE 17-MAR-20

TITLE SMP JACK SURFACE MOUNT SMOOTH BORE
 SHEET NO. 2 OF 2 SCALE: 20.0:1.0

Amphenol RF
 DRAWING NO. SMP-MSSB-PCS-17
 ITEM NO. SMP-MSSB-PCS-17
 PART NO. SMP-MSSB-PCS-17
 REV A

X-ON Electronics

Largest Supplier of Electrical and Electronic Components

Click to view similar products for [RF Connectors](#) / [Coaxial Connectors](#) category:

Click to view products by [Amphenol](#) manufacturer:

Other Similar products are found below :

[8915-1511-000](#) [89674-0827](#) [6001-7071-019](#) [6002-7051-003](#) [6059674-1](#) [619550-1](#) [630059-000](#) [M39030/3-01N](#) [6500-7071-046](#) [6769](#)
[CX050L2AQ](#) [7002-1541-010](#) [7002-1542-011](#) [7002-1572-002](#) [7003-1542-011](#) [7004-1512-000](#) [7009-1511-004](#) [7010-1511-000](#) [7029-1511-](#)
[060](#) [7101-1541-010](#) [7101-1571-002](#) [7145-1521-002](#) [7203-1571-003](#) [7209-1511-011](#) [7210-1511-015](#) [7210-1511-019](#) [73137-5015](#) [73216-](#)
[2241](#) [73404-2300](#) [7405-1521-005](#) [7405-1521-802](#) [8527](#) [8547](#) [FS11V](#) [9049-9513-000](#) [9074-9513-000](#) [9101-9573-002](#) [910A205F](#) [9130-](#)
[9573-002](#) [PL11SC-026](#) [PL375-33](#) [PL40-5](#) [PL74C-221](#) [PL75MC-217](#) [PL803-7](#) [980-8666-005](#) [1200690078](#) [1-201144-1](#) [R107003010W](#)
[R110A172100](#)