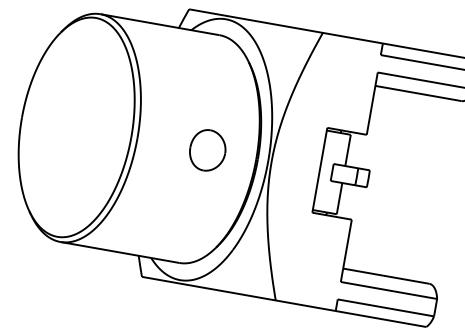


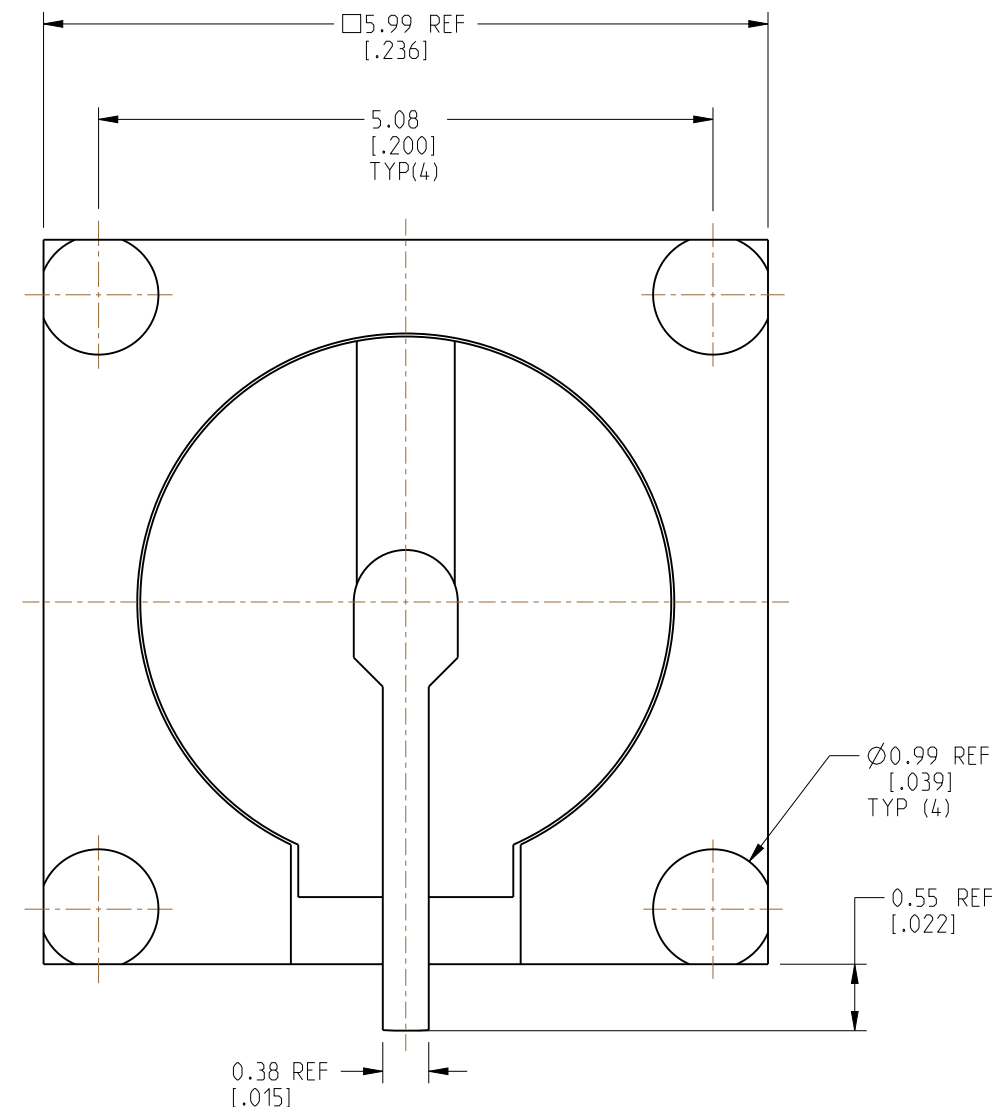
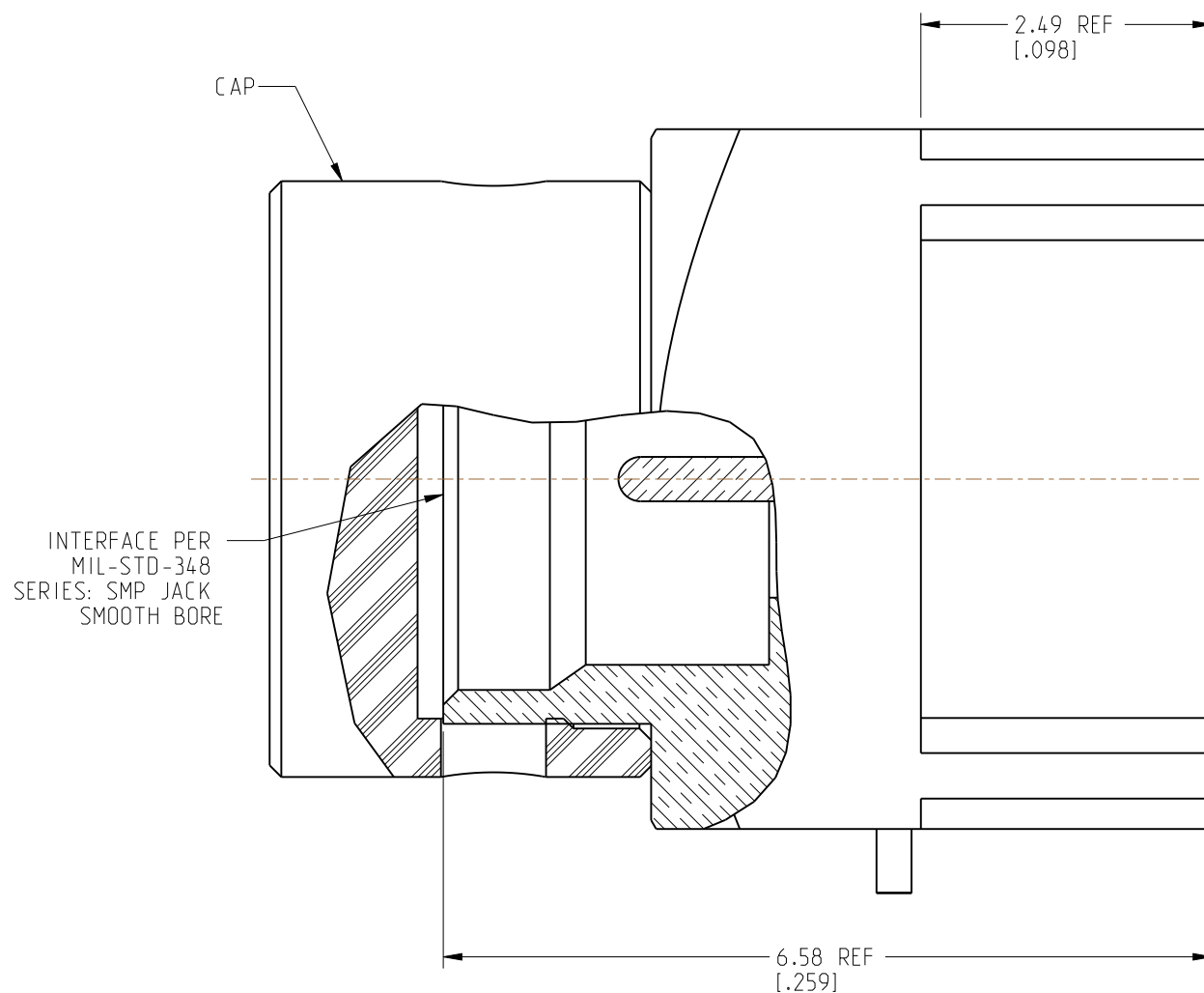
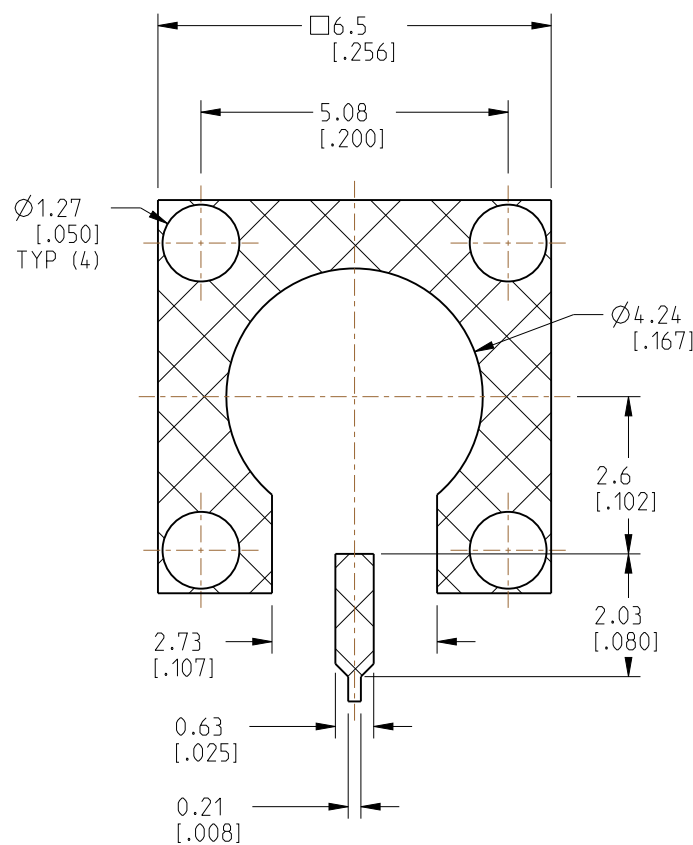
NOTES:

1. MATERIALS AND FINISHES:
 BODY - BRASS, GOLD PLATING
 CONTACT - BRASS, GOLD PLATING
 INSULATOR - LCP E130i, NATURAL
 CAP - PTFE, NATURAL
2. ELECTRICAL:
 A. IMPEDANCE: 50 OHM
 B. FREQUENCY RANGE: DC-20 GHz
 C. VSWR (RETURN LOSS): 1.10 (-26.4 dB MIN.) MAX. @ DC-8 GHz
 1.22 (-20 dB MIN.) MAX. @ 8-20 GHz
 CONNECTOR ONLY, PERFORMANCE WILL VARY BASED ON BOARD LAYOUT.
 D. DIELECTRIC WITHSTANDING VOLTAGE: 500 VRMS, MIN.
3. MECHANICAL:
 A. DURABILITY: 1000 CYCLES MIN.
 B. TEMPERATURE RANGE: -40°C TO +85°C
4. PACKAGING:
 A. TAPE & REEL PACKAGING, 450 PCS/REEL
 B. MARKING: PACKAGING TO BE MARKED
 "AMPHENOL RF, SMP-MSSB-PCT10T, AND DATE CODE"

REVISIONS				
REV	DESCRIPTION	DATE	ECN	APPR
A	RELEASE TO MFG.	29-JUN-20	15254	EH



SCALE 6.000



CUSTOMER OUTLINE DRAWING

ALL OTHER SHEETS ARE FOR INTERNAL USE ONLY

NOTICE: These drawings, specifications, or other data (1) are, and remain the property of Amphenol corp. (2) must be returned upon request; and (3) are confidential and not to be disclosed to any person other than those to whom they are given by Amphenol Corp. The furnishing of these drawings, specifications, or other data by Amphenol Corp., or to any other person to anyone for any purpose is not to be regarded by implication or otherwise in any manner licensing, granting rights to permitting such holder or any other person to manufacture, use or sell any product, process or design, patented or otherwise, that may in any way be related to or disclosed by said drawings, specifications, or other data.

UNLESS OTHERWISE SPECIFIED DIMENSIONS ARE METRIC (INCHES) AND TOLERANCES ARE:
 <0.5mm = ±0.05mm [$<0.020 = \pm 0.002$]
 >0.5 - 6mm = ±0.1mm [$>0.020 - 0.236 = \pm 0.004$]
 >6.00 - 30mm = ±0.2mm [$>0.236 - 1.181 = \pm 0.008$]
 >30.00 - 120mm = ±0.3mm [$>1.181 - 4.725 = \pm 0.012$]

ANGLES = ±1°

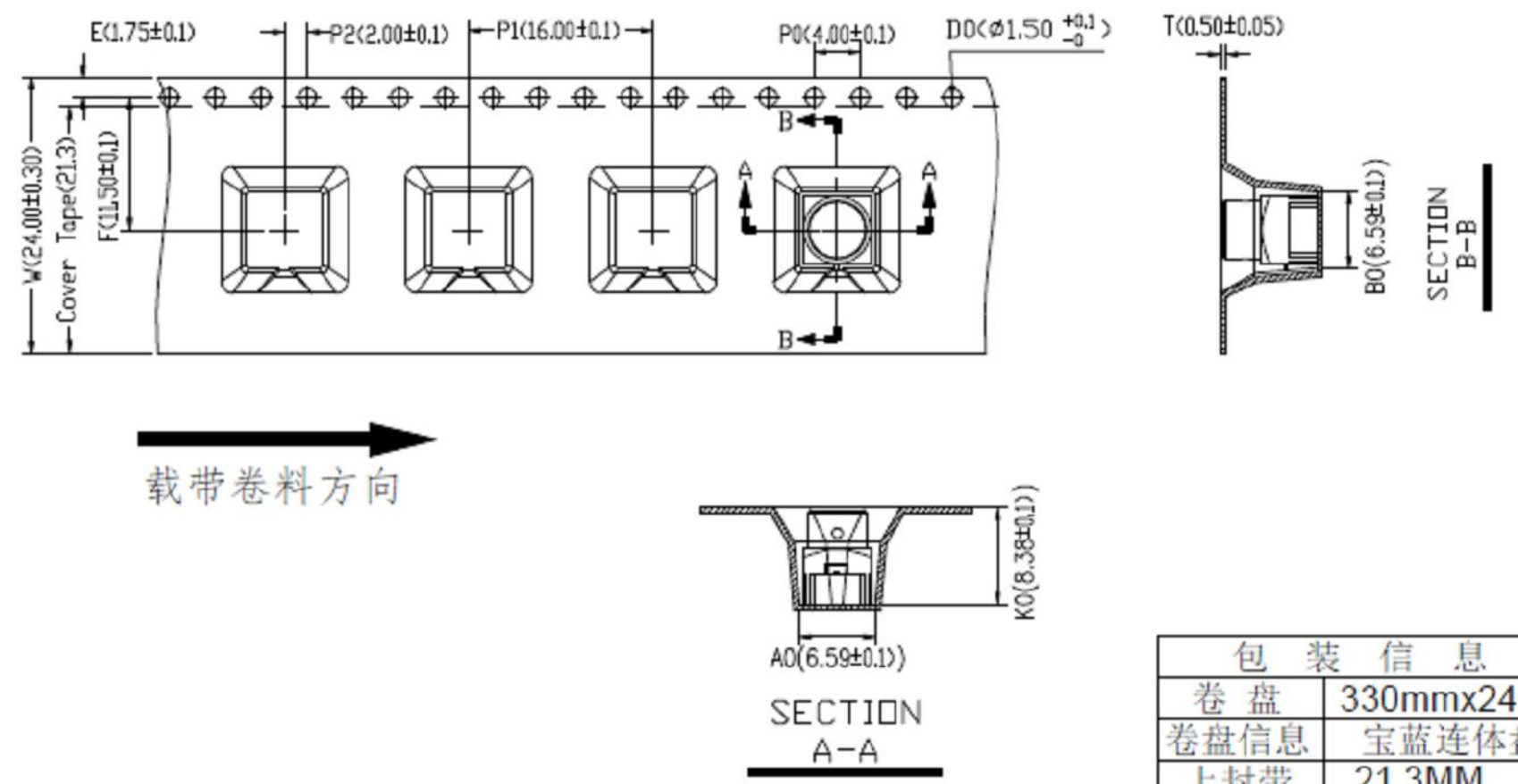
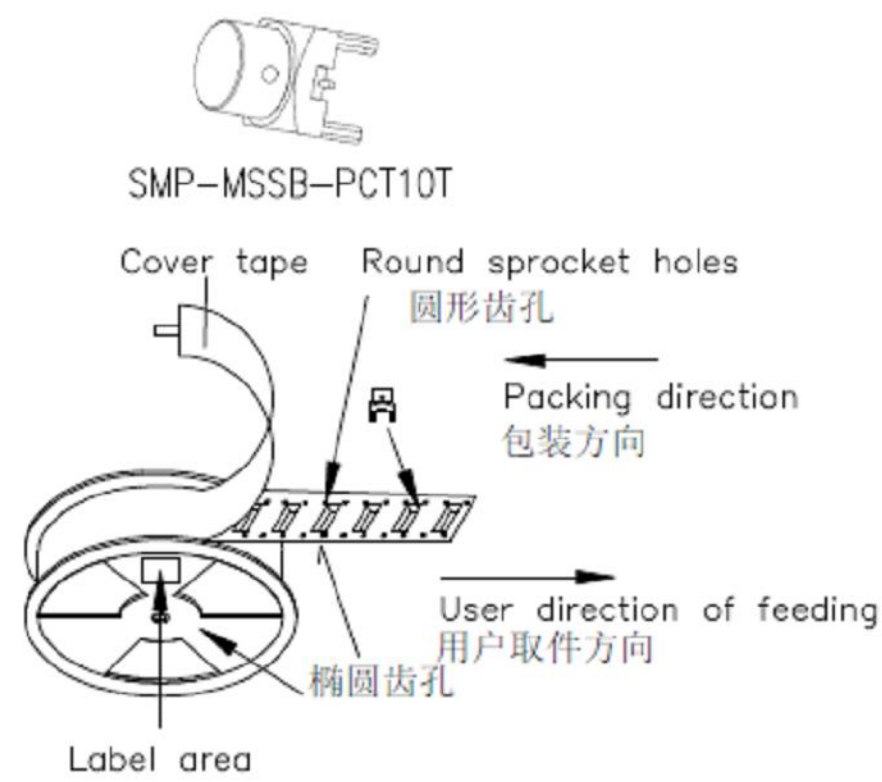
MATERIAL NOTE 1
 ENGINEER E. HILL
 DATE 16-MAR-20

TITLE SMP JACK THROUGH HOLE SMOOTH BORE
 SHEET NO. 2 OF 3
 SCALE: 16.0:1.0

Amphenol RF
 DRAWING NO. SMP-MSSB-PCT10T
 ITEM NO. SMP-MSSB-PCT10T
 PART NO. SMP-MSSB-PCT10T
 REV A

THIRD ANGLE PROJ. REFERENCE SMP-MSSB-PCT-1 EAR# 9644

REVISIONS				
REV	DESCRIPTION	DATE	ECN	APPR
A	RELEASE TO MFG.	29-JUN-20	15254	EH



TAPE&REEL示意图

- Notes:
- 1.10 sprocket hole pitch cumulative tolerance $\pm 0.20\text{mm}$
(每10个链轮齿孔孔径累计公差为 $\pm 0.20\text{mm}$)
 - 2.Carrier camber not to exceed 1mm in 250mm.
(传送料带弯曲变形每250MM不超过1MM)
 - 3.A and B measured on a plane 0.3mm above the bottom of the pocket.(A0与B0在同一平面测量且距口袋底部0.3MM)
 - 4.K measured from a plane on the inside bottom of the pocket to the top surface of the carrier.
(K0为口袋底部与材料表面的平面距离。)
 - 5.All dimensions meet EIA-481-D requirements.
(所有尺寸符合EIA-481-D标准要求。)
 - 6.Material: Black Antistatic polystyrene.
(材料:黑色聚苯乙烯。)
 - 7.Thickness: $0.50 \pm 0.05 \text{ mm}$.
(厚度: 0.50 ± 0.05 毫米。)
 - 8.Packing length per 13" reel :8.448Meters.
(每个13"卷轴包装长度8.448米。)
 - 9.Component loader per 13" reel : 450pcs.
(每个13"卷轴可装450个零件。)

技术要求:
 在没有保护膜的情况下, 0-90度往返折弯3次, 卷带不会破裂; 冷封带0.3~1.3N;
 厚度及防静电要求需满足要求, 防静电性能使用寿命至少大于半年。载带侧壁支撑力2kgf以上。

包装信息	
卷盘	330mmx24mm
卷盘信息	宝蓝连体盘
上封带	21.3MM
每盘格数	450pcs+前后各空39pcs
生产模具信息	
间距	16mm
模具穴数	6穴
成型模数	88模
每盘长度	8.448M

ITEM	W	A ₀	B ₀	K ₀	K ₁	P ₁	F	E	D ₀	D ₁	P ₀	P ₂	T
DIM	24±0.3	6.59±0.1	6.59 ±0.1	8.38±0.1		16.0±0.1	11.5±0.1	1.75±0.1	1.5 ^{+0.1} / _{-0.00}		4.0±0.1	2.0±0.1	0.5±0.05

NOTICE: These drawings, specifications, or other data (1) are, and remain the property of Amphenol corp. (2) must be returned upon request; and (3) are confidential and not to be disclosed to any person other than those to whom they are given by Amphenol Corp. The furnishing of these drawings, specifications, or other data by Amphenol Corp., or to any other person to anyone for any purpose is not to be regarded by implication or otherwise in any manner licensing, granting rights to permitting such holder or any other person to manufacture, use or sell any product, process or design, patented or otherwise, that may in any way be related to or disclosed by said drawings, specifications, or other data.

UNLESS OTHERWISE SPECIFIED DIMENSIONS ARE METRIC (INCHES) AND TOLERANCES ARE:
 <0.5mm = $\pm 0.05\text{mm}$ [$<0.020 = \pm 0.002$]
 >0.5 - 6mm = $\pm 0.1\text{mm}$ [$>0.020 - 0.236 = \pm 0.004$]
 >6.00 - 30mm = $\pm 0.2\text{mm}$ [$>0.236 - 1.181 = \pm 0.008$]
 >30.00 - 120mm = $\pm 0.3\text{mm}$ [$>1.181 - 4.725 = \pm 0.012$]
 ANGLES = $\pm 1^\circ$

MATERIAL
 ENGINEER E. HILL
 DATE '16-MAR-20

TITLE
 SMP JACK THROUGH HOLE SMOOTH BORE
 SHEET NO. 3 OF 3
 SCALE: 16.0:1.0

Amphenol RF
 SIZE B
 DRAWING NO. SMP-MSSB-PCT10T
 ITEM NO. SMP-MSSB-PCT10T
 PART NO. SMP-MSSB-PCT10T
 REV A

X-ON Electronics

Largest Supplier of Electrical and Electronic Components

Click to view similar products for [RF Connectors / Coaxial Connectors](#) category:

Click to view products by [Amphenol](#) manufacturer:

Other Similar products are found below :

[8915-1511-000](#) [89674-0827](#) [6001-7071-019](#) [6002-7051-003](#) [6002-7551-202](#) [6059674-1](#) [619550-1](#) [630059-000](#) [M39030/3-01N](#) [M3933/25-36N](#) [6500-7071-046](#) [6769](#) [CX050L2AQ](#) [7002-1542-011](#) [7004-1512-000](#) [7009-1511-004](#) [7010-1511-000](#) [7029-1511-060](#) [7101-1541-010](#) [7101-1571-002](#) [7105-1521-002](#) [7145-1521-002](#) [7203-1571-003](#) [7209-1511-011](#) [7210-1511-015](#) [7210-1511-019](#) [73137-5015](#) [73216-2241](#) [7325-1512-000](#) [73404-2300](#) [7405-1521-005](#) [7405-1521-802](#) [7406-1521-005](#) [8527](#) [8547](#) [FS11V](#) [8808-1511-001](#) [9049-9513-000](#) [9074-9513-000](#) [9101-9573-002](#) [910A205F](#) [9130-9573-002](#) [PL11SC-026](#) [PL375-33](#) [PL40-5](#) [PL71-9](#) [PL74C-221](#) [PL75MC-217](#) [PL803-7](#) [980-8666-005](#)