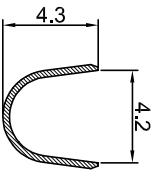


CONTACT ORIENTATION ON ROLL

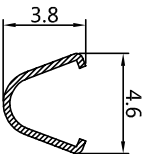
NOTES : (UNLESS OTHERWISE SPECIFIED)

- 1. MATERIAL :
  - 1.1. CONTACT BODY : COPPER ALLOY.
  - 1.2. OUTER SPRING : STAINLESS STEEL.
- 2. SPECIFICATIONS :
  - 2.1 CURRENT RATING : 23A MAX.
  - 2.2 TERMINATION TYPE : CRIMPING.
  - 2.3 WIRE RANGE : 14~12AWG.
  - 2.4 WIRE INSULATION DIA(MAX) :  $\phi$ 4.3mm.
- 3. ROHS COMPLIANT.
- 4. ALL DIMENSIONS ARE FOR REFERENCE USE ONLY.

P/N	CONTACT PLATING(MATING AREA)
SP12A1T	TIN PLATING OVER NICKEL.
SP12A1F	GOLD FLASH PLATING OVER NICKEL.
SP12A1G10	10 $\mu$ "GOLD PLATING OVER NICKEL.
SP12A1G15	15 $\mu$ "GOLD PLATING OVER NICKEL.
SP12A1G30	30 $\mu$ "GOLD PLATING OVER NICKEL.

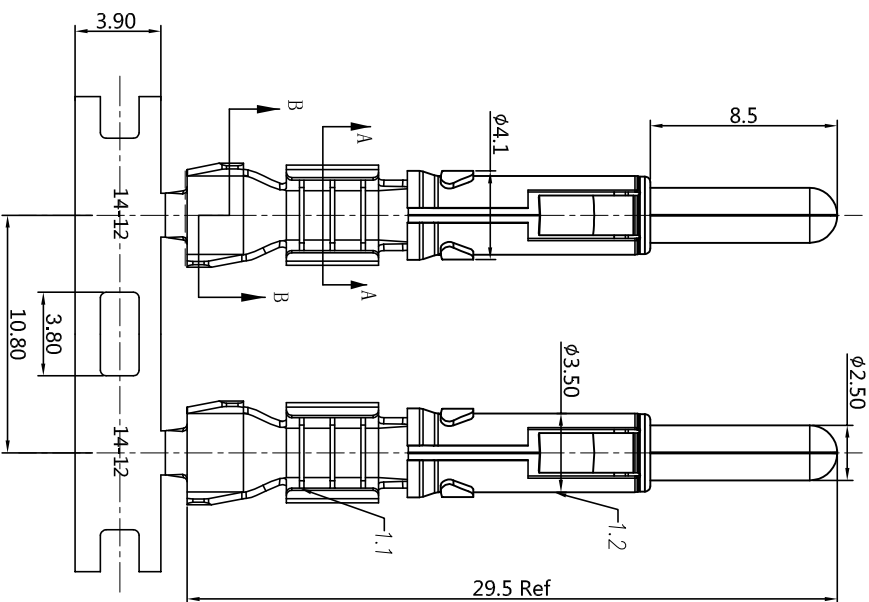


SECTION B-B



SECTION A-A

REVISIONS					
REV	ECO	DESCRIPTION	DATE	BY	APPR
B1	-	RELEASED DRAWING	JAN-18-2014	ARROW	TOMMY
B2	-	UPDATE DRAWING	NOV-09-2016	FLAN	TOMMY



QUANTITY	PART NUMBER	DESCRIPTION	ITEM

UNLESS OTHERWISE SPECIFIED			
1) All dimensions are in millimeters.	DRAWN	DATE	
2) Tolerances are as follows:	FLN	NOV-09-2016	
1 PL DEC 2010	FRACIONS: 1/16"	ENGINEER	NOV-09-2016
3 PL DEC 2010	ANGLES: 1°	APPROVAL	TOMMY
3) Note reference = $\Delta$	CUSTOMER	NOV-09-2016	

PROCESS SPECIFICATIONS:			
THE DRAWING IS SUBJECT TO THE SPECIFICATIONS AND PERFORMANCE DATA OF THE MATERIALS AND TO THE MANUFACTURING VARIATIONS.			
SCALE	NONE	SHEET	1 OF 1

**Amphenol**  
 Site Systems - www.amphenol-site.com  
 44724 Morley Drive  
 Clinton Township, MI 48036

ECO-MATE PIN CONTACT,  
 STAMPED, 14-12AWG, 2.5mm CONTACT

## X-ON Electronics

Largest Supplier of Electrical and Electronic Components

*Click to view similar products for [Standard Circular Contacts](#) category:*

*Click to view products by [Amphenol](#) manufacturer:*

Other Similar products are found below :

[RC16M23J](#) [133780-1](#) [RM20M13D28](#) [RM24M9D28](#) [MS3474W10-6P L/C](#) [ELVP16100E](#) [164-901-CD](#) [EN3545007SCE](#)  
[BV002BSQ20049CZ](#) [BV002SSQ160404CZ](#) [1900ND05S1B00B](#) [192900-0061](#) [192900-0575](#) [192900-0718](#) [166566-1](#) [1900ND04S1X00D](#)  
[192900-0058](#) [192900-0309](#) [ST-JL05-16S-C3-100](#) [ST-JL05-20S-C1-100](#) [ST-JL05-20S-C2-100](#) [T01-CRIMP-S03](#) [APK-SA16A07-002](#) [CONT-](#)  
[JL05-08S-C2-10](#) [RC16M-23T](#) [RFD26L-1D28](#) [BV002ASJ16049CW](#) [JN1-22-20S-R-PKG100](#) [031-50565](#) [ELFH08251](#) [ELFP0641GE](#)  
[SJS861301M](#) [ST-JL05-16S-C1-100](#) [ST-JL05-20P-C1-100](#) [82911466K](#) [ESLM03200](#) [192991-0087](#) [192900-0570](#) [ELFH07251](#) [44-104-10003-](#)  
[02](#) [T3P16FC3LZ](#) [ST-JL05-16S-C2-3500](#) [ZP-4016-10NF](#) [CONT-JL05-12P-C1-10](#) [RM20M12G8D28](#) [031-50676](#) [12115010110](#) [RJFTVC2MG](#)  
[CAP-DACMDPC2](#) [031-50675-002](#)