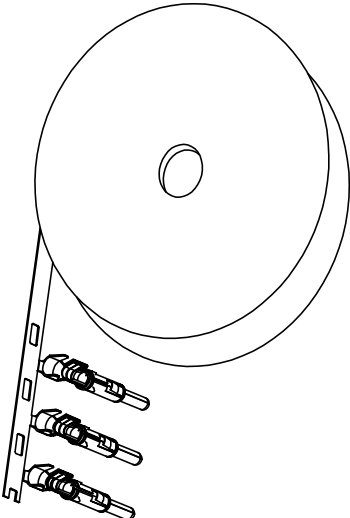
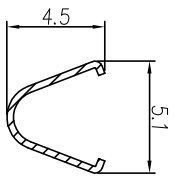


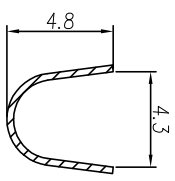
REVOLUTIONS				
REV	ECO	DESCRIPTION	DATE	BY
A1	-	RELEASED DRAWING	Sept-7-2016	Ben
A2	-	Updating Drawing	Oct-16-17	Tommy



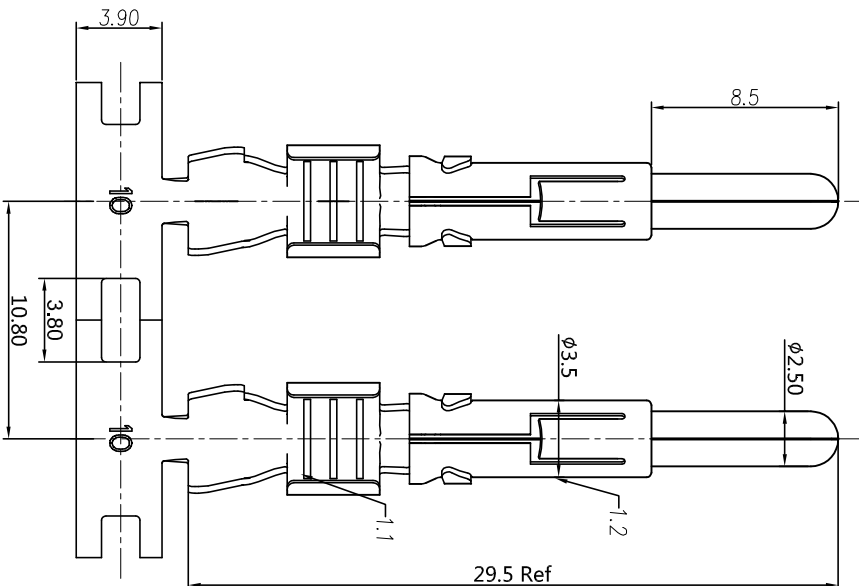
CONTACT ORIENTATION ON ROLL



SECTION C-C



SECTION D-D



- NOTES : (UNLESS OTHERWISE SPECIFIED)
- MATERIAL :
    - CONTACT BODY : COPPER ALLOY.
    - OUTER SPRING : STAINLESS STEEL.
  - SPECIFICATIONS :
    - CURRENT RATING : 23A MAX.
    - TERMINATION TYPE : CRIMPING.
    - WIRE RANGE : 4.0mm<sup>2</sup>.
    - WIRE INSULATION DIA(MAX) :  $\phi$ 4.3mm.
  - ROHS COMPLIANT.
  - ALL DIMENSIONS ARE FOR REFERENCE USE ONLY.

P/N	CONTACT PLATING(MATING AREA)
SP12A1T-10	TIN PLATING OVER NICKEL.
SP12A1F-10	GOLD FLASH PLATING OVER NICKEL.
SP12A1G10-10	10 $\mu$ "GOLD PLATING OVER NICKEL.
SP12A1G15-10	15 $\mu$ "GOLD PLATING OVER NICKEL.
SP12A1G30-10	30 $\mu$ "GOLD PLATING OVER NICKEL.

QUANTITY	PART NUMBER	DESCRIPTION	ITEM
		<b>MATERIALS LIST</b>	
UNLESS OTHERWISE SPECIFIED 1) All dimensions are in millimeters. 2) Tolerances are as follows: 1 Pt. DEC 40.30 Fractions 1/100 3 Pt. DEC 40.08 Angles 1° 3) Note reference = $\Delta$			
SIGNATURES DATE DRAWN: Hm 02/16/17 CHECKED: Jod 02/16/17 ENGINEER: _____ APPROVAL: Tommy 02/16/17 CUSTOMER: _____		THIS DRAWING IS SUPERSEDED BY ANY LATER DATED DRAWINGS. SPECIFICATIONS AND PERFORMANCE DATA ARE SUBJECT TO CHANGE WITHOUT NOTICE. THE MANUFACTURING CORPORATION ASSUMES NO RESPONSIBILITY FOR REPRODUCTION ERRORS OR MANUFACTURING VARIATIONS.	
PROCESS SPECIFICATIONS: NEXT ASST: _____		SIZE: B TYPE: C- DWG NO: SP12A1XX-10 SCALE: NONE SHEET: 1 OF 1	
ECO-MATE PIN CONTACT, STAMPED, 4.0mm <sup>2</sup> , 2.5mm CONTACT			
<b>Amphenol</b> Sine Systems - www.amphenol-sine.com 44724 Morley Drive Clinton Township, MI 48036			

## X-ON Electronics

Largest Supplier of Electrical and Electronic Components

*Click to view similar products for [Standard Circular Contacts](#) category:*

*Click to view products by [Amphenol](#) manufacturer:*

Other Similar products are found below :

[RC16M23J](#) [133780-1](#) [RM20M13D28](#) [RM24M9D28](#) [MS3474W10-6P L/C](#) [ELVP16100E](#) [164-901-CD](#) [EN3545007SCE](#)

[BV002BSQ20049CZ](#) [BV002SSQ160404CZ](#) [1900ND05S1B00B](#) [192900-0061](#) [192900-0575](#) [192900-0718](#) [166566-1](#) [1900ND04S1X00D](#)

[192900-0058](#) [192900-0309](#) [ST-JL05-16S-C3-100](#) [ST-JL05-20S-C1-100](#) [ST-JL05-20S-C2-100](#) [T01-CRIMP-S03](#) [APK-SA16A07-002](#) [CONT-](#)

[JL05-08S-C2-10](#) [RC16M-23T](#) [RFD26L-1D28](#) [BV002ASJ16049CW](#) [JN1-22-20S-R-PKG100](#) [031-50565](#) [ELFH08251](#) [ELFP0641GE](#)

[SJS861301M](#) [ST-JL05-16S-C1-100](#) [ST-JL05-20P-C1-100](#) [82911466K](#) [ESLM03200](#) [192991-0087](#) [192900-0570](#) [ELFH07251](#) [44-104-10003-](#)

[02](#) [T3P16FC3LZ](#) [ST-JL05-16S-C2-3500](#) [ZP-4016-10NF](#) [CONT-JL05-12P-C1-10](#) [RM20M12G8D28](#) [031-50676](#) [12115010110](#) [RJFTVC2MG](#)

[CAP-DACMDPC2](#) [031-50675-002](#)