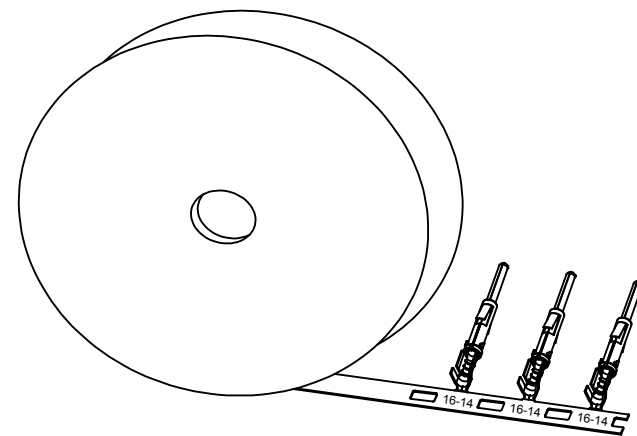
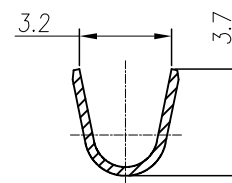


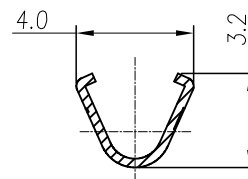
REVISIONS					
REV	ECO	DESCRIPTION	DATE	BY	APPR
B1	-	RELEASED DRAWING	JUN-25-2014	BEN	TOMMY
B2	-	UPDATING DRAWING	Nov-16-2016	FLAN	TOMMY



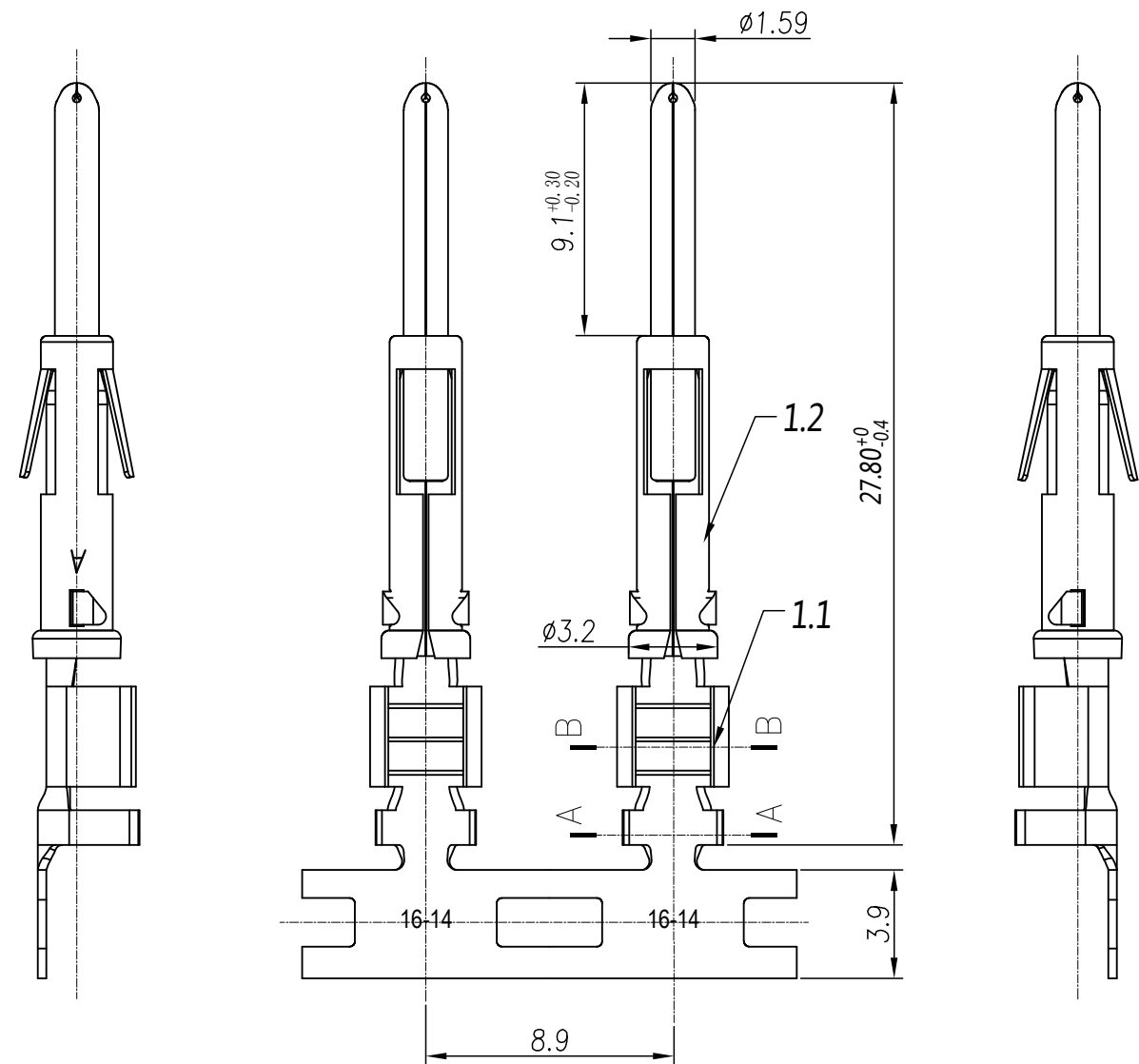
CONTACT ORIENTATION ON ROLL



SECTION A-A



SECTION B-B



NOTES : (UNLESS OTHERWISE SPECIFIED)

- MATERIAL :
 - CONTACT BODY : COPPER ALLOY.
 - OUTER SPRING : STAINLESS STEEL.
- SPECIFICATIONS :
 - CURRENT RATING : 13A MAX.
 - TERMINATION TYPE : CRIMPING.
 - WIRE RANGE : 14~16AWG.
- RoHS COMPLIANT.
- ALL DIMENSIONS ARE FOR REFERENCE USE ONLY.
- AVAILABLE TOOLS :
 - HAND CRIMPER : MFX-3954.
 - CRIMP APPLICATOR : MFX-3957.
 - EXTRACTION TOOL : QXRT16.

P/N	CONTACT PLATING(MATING AREA)
SP14M1T	TIN PLATING OVER NICKEL.
SP14M1F	GOLD FLASH PLATING OVER NICKEL.
SP14M1G5	5 μ "GOLD PLATING OVER NICKEL.
SP14M1G10	10 μ "GOLD PLATING OVER NICKEL.
SP14M1G15	15 μ "GOLD PLATING OVER NICKEL.
SP14M1G30	30 μ "GOLD PLATING OVER NICKEL.

QUANTITY	PART NUMBER	DESCRIPTION	ITEM								
MATERIALS LIST											
UNLESS OTHERWISE SPECIFIED 1) All dimensions are in metric(mm). 2) Tolerances are as follows: 1 PL DEC ± 0.30 Fractions $\pm 1/64$ 2 PL DEC ± 0.15 Angles $\pm 1^\circ$ 3 PL DEC ± 0.08 3) Note reference = $\triangle x$		SIGNATURES DRAWN: FLAN CHECKED: TOD ENGINEER: APPROVAL: TOMMY	DATE Nov-16-2016 Nov-16-2016 Nov-16-2016								
MATERIAL SPECIFICATIONS:		<p style="text-align: center;">Amphenol</p> <p style="text-align: center;">Sine Systems - www.amphenol-sine.com 44724 Morley Drive Clinton Township, MI 48036</p> <p style="text-align: center;">ECO-MATE, PIN CONTACT, STAMPED, 14-16AWG, SIZE 16</p>									
PROCESS SPECIFICATIONS:											
NEXT ASSY:		THIS DRAWING IS SUPPLIED FOR INFORMATION ONLY. DESIGN FEATURES, SPECIFICATIONS AND PERFORMANCE DATA SHOWN HEREON ARE THE PROPERTY OF THE AMPHENOL CORPORATION. NO RIGHTS OF REPRODUCTION ARE IMPLIED. ALL DIMENSIONS ARE SUBJECT TO NORMAL MANUFACTURING VARIATIONS.	<table border="1"> <tr> <td>SIZE</td> <td>TYPE</td> <td>DWG NO:</td> <td>REVISION</td> </tr> <tr> <td>B</td> <td>C-</td> <td>SP14M1XX</td> <td>B2</td> </tr> </table>	SIZE	TYPE	DWG NO:	REVISION	B	C-	SP14M1XX	B2
SIZE	TYPE	DWG NO:	REVISION								
B	C-	SP14M1XX	B2								
SCALE: NONE		SHEET 1 OF 1									

TITLE: ECO-MATE, PIN CONTACT, STAMPED, 14-16AWG, SIZE 16
DWG NO: SP14M1XX
REV: B2
SH: 1
OF: 1

X-ON Electronics

Largest Supplier of Electrical and Electronic Components

Click to view similar products for [Standard Circular Contacts](#) category:

Click to view products by [Amphenol](#) manufacturer:

Other Similar products are found below :

[RC16M23J](#) [133780-1](#) [RM20M13D28](#) [RM24M9D28](#) [MS3474W10-6P L/C](#) [164-901-CD](#) [EN3545007SCE](#) [BV002BSQ20049CZ](#)
[BV002SSQ160404CZ](#) [1900ND05S1B00B](#) [192900-0061](#) [192900-0575](#) [166566-1](#) [1900ND04S1X00D](#) [192900-0058](#) [ST-JL05-16S-C3-100](#)
[ST-JL05-20S-C1-100](#) [ST-JL05-20S-C2-100](#) [T01-CRIMP-S03](#) [APK-SA16A07-002](#) [CONT-JL05-08S-C2-10](#) [RC16M-23T](#) [RFD26L-1D28](#)
[BV002ASJ16049CW](#) [JN1-22-20S-R-PKG100](#) [031-50565](#) [ELFH08251](#) [SJS861301M](#) [ST-JL05-16S-C1-100](#) [ST-JL05-20P-C1-100](#) [82911466K](#)
[ESLM03200](#) [192991-0087](#) [192900-0570](#) [ELFH07251](#) [44-104-10003-02](#) [T3P16FC3LZ](#) [ST-JL05-16S-C2-3500](#) [ZP-4016-10NF](#) [CONT-JL05-](#)
[12P-C1-10](#) [RM20M12G8D28](#) [031-50676](#) [12115010110](#) [RJFTVC2MG](#) [CAP-DACMDPC2](#) [031-50675-002](#) [CAP-DD1FDPC2](#) [CAP-](#)
[DACMDPC1](#) [031-50966-010](#) [ASSP-10-F-A-C-SA](#)