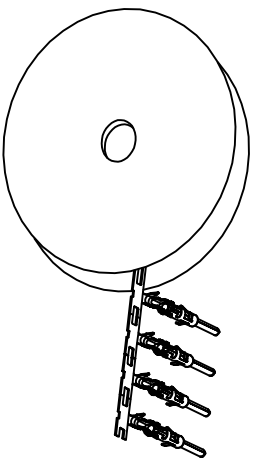


REVISIONS				
REV	ECO	DESCRIPTION	DATE	BY APPR
A1	-	RELEASED DRAWING	Jul-16-18	Flan Tommy

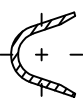
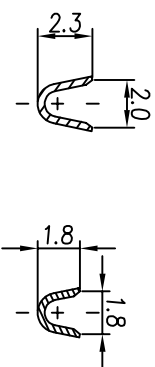
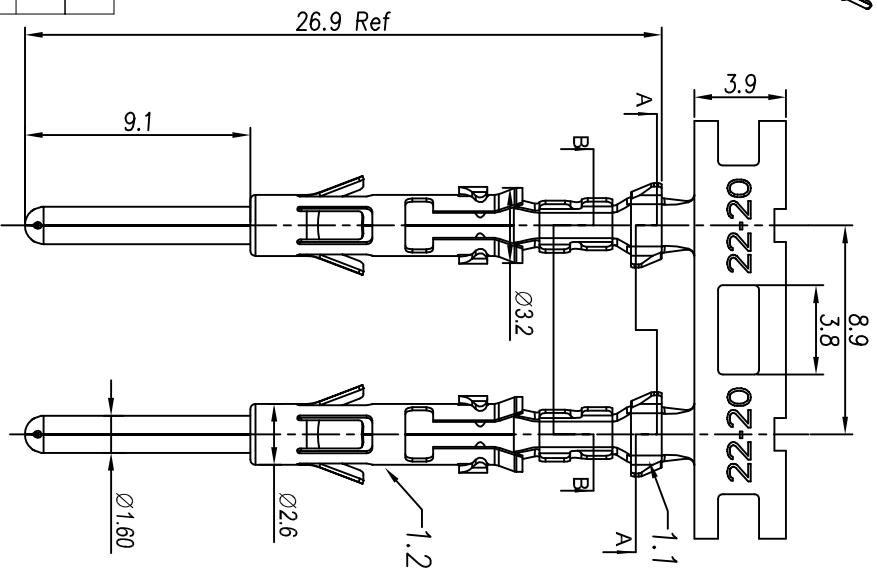


CONTACT ORIENTATION ON ROLL(3000PCS/COIL)

NOTES : (UNLESS OTHERWISE SPECIFIED)

- MATERIAL :
  - CONTACT BODY : COPPER ALLOY.
  - OUTER SPRING : STAINLESS STEEL.
- SPECIFICATIONS :
  - CURRENT RATING : 13A MAX.
  - TERMINATION TYPE : CRIMPING.
  - WIRE RANGE : 22~20AWG.
  - WIRE INSULATION DIA(MAX) :  $\phi$ 2.5mm.
- RoHS COMPLIANT.
- ALL DIMENSIONS ARE FOR REFERENCE USE ONLY.
- AVAILABLE TOOLS :
  - HAND CRIMPER : MFX-3954.
  - CRIMP APPLICATOR : MFX-3957.
  - EXTRACTION TOOL : QXRT16.

P/N	CONTACT PLATING(MATING AREA)
SP20M2T	TIN PLATING OVER NICKEL.
SP20M2N	NICKEL PLATING OVER COPPERIZE.
SP20M2F	GOLD FLASH PLATING OVER NICKEL.
SP20M2G5	5 $\mu$ "GOLD PLATING OVER NICKEL.
SP20M2G10	10 $\mu$ "GOLD PLATING OVER NICKEL.
SP20M2G15	15 $\mu$ "GOLD PLATING OVER NICKEL.
SP20M2G30	30 $\mu$ "GOLD PLATING OVER NICKEL.



SECTION A-A

QUANTITY	PART NUMBER	DESCRIPTION	ITEM
<b>MATERIALS LIST</b>			

UNLESS OTHERWISE SPECIFIED	SIGNATURES	DATE
1) All dimensions are in millimeters. 2) Tolerances are as follows: 1 PL, DEC & 0.30 Fractions & 1/64 3 PL, DEC & 0.08	DRW: Flan CHK: Jtd ENGR: Jtd	Jul-16-18 Jul-16-18 Jul-16-18
3) Note reference = $\Delta$	APPROVAL: Tommy	Jul-16-18

PROCESS SPECIFICATIONS:	CUSTOMER:	ECO-MATE PIN CONTACT.
MATERIAL SPECIFICATIONS:	Tommy	STAMPED, 22-20AWG, SIZE 16
TEST SPECIMENS SURFACE FINISH SPECIFICATIONS AND PERFORMANCE DATA TO BE PROVIDED BY THE MANUFACTURER. ALL DIMENSIONS AND TOLERANCES ARE IN MILLIMETERS UNLESS OTHERWISE SPECIFIED.		

SIZE	TYPE	DWG NO	REVISION
B	C-	SP20M2XX	A1
SCALE:	NONE	SHEET	1 OF 1

TEXT ASSY:

**Amphenol**

Sine Systems - www.amphenol-sine.com  
44724 Morley Drive  
Clinton Township, MI 48036

ECO-MATE PIN CONTACT.  
STAMPED, 22-20AWG, SIZE 16

SIZE: B TYPE: C- DWG NO: SP20M2XX REVISION: A1

SCALE: NONE SHEET: 1 OF 1

## X-ON Electronics

Largest Supplier of Electrical and Electronic Components

*Click to view similar products for [Standard Circular Contacts](#) category:*

*Click to view products by [Amphenol](#) manufacturer:*

Other Similar products are found below :

[RC16M23J](#) [133780-1](#) [RM20M13D28](#) [RM24M9D28](#) [MS3474W10-6P L/C](#) [164-901-CD](#) [EN3545007SCE](#) [BV002BSQ20049CZ](#)  
[BV002SSQ160404CZ](#) [1900ND05S1B00B](#) [192900-0061](#) [192900-0575](#) [166566-1](#) [1900ND04S1X00D](#) [192900-0058](#) [ST-JL05-16S-C3-100](#)  
[ST-JL05-20S-C1-100](#) [ST-JL05-20S-C2-100](#) [T01-CRIMP-S03](#) [APK-SA16A07-002](#) [CONT-JL05-08S-C2-10](#) [RC16M-23T](#) [RFD26L-1D28](#)  
[BV002ASJ16049CW](#) [JN1-22-20S-R-PKG100](#) [031-50565](#) [ELFH08251](#) [SJS861301M](#) [ST-JL05-16S-C1-100](#) [ST-JL05-20P-C1-100](#) [82911466K](#)  
[ESLM03200](#) [192991-0087](#) [192900-0570](#) [ELFH07251](#) [44-104-10003-02](#) [T3P16FC3LZ](#) [ST-JL05-16S-C2-3500](#) [ZP-4016-10NF](#) [CONT-JL05-](#)  
[12P-C1-10](#) [RM20M12G8D28](#) [031-50676](#) [12115010110](#) [RJFTVC2MG](#) [CAP-DACMDPC2](#) [031-50675-002](#) [CAP-DD1FDPC2](#) [CAP-](#)  
[DACMDPC1](#) [031-50966-010](#) [ASSP-10-F-A-C-SA](#)