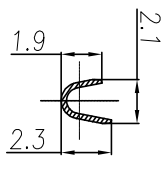


CONTACT ORIENTATION ON ROLL

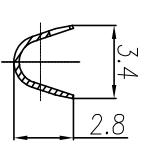
NOTES: (UNLESS OTHERWISE SPECIFIED)

1. MATERIAL:
 - 1.1. CONTACT BODY: COPPER ALLOY.
 - 1.2. OUTER SPRING: STAINLESS STEEL.
2. SPECIFICATIONS:
 - 2.1 CURRENT RATING: 5A MAX.
 - 2.2 TERMINATION TYPE: CRIMPING.
 - 2.3 WIRE RANGE: 22-20AWG.
 - 2.4 WIRE INSULATION DIA(MAX): Ø2.6mm.
3. ROHS COMPLIANT.
4. ALL DIMENSIONS ARE FOR REFERENCE USE ONLY.
5. AVAILABLE TOOLS:
 - 5.1 HAND CRIMPER: MFX-3958 (B2)
 - 5.2 CRIMP APPLICATOR: MFX-3957.
 - 5.3 EXTRACTION TOOL: QXRT20.

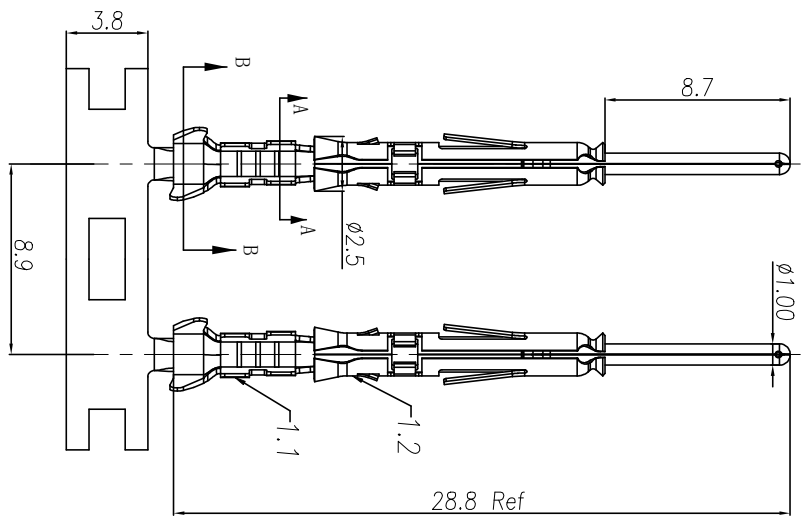
P/N	CONTACT PLATING(MATING AREA)
SP20W1T	TIN PLATING OVER NICKEL.
SP20W1F	GOLD FLASH PLATING OVER NICKEL.
SP20W1G10	10µ" GOLD PLATING OVER NICKEL.
SP20W1G15	15µ" GOLD PLATING OVER NICKEL.
SP20W1G30	30µ" GOLD PLATING OVER NICKEL.



SECTION A-A



SECTION B-B



REVISIONS					
REV	ECO	DESCRIPTION	DATE	BY	APPR
B1	-	RELEASED DRAWING	JAN-18-2014	ARROW	TOMMY
B2	-	CHANGE HAND CRIMPER	Nov-8-19	Flan	Tommy

QUANTITY	PART NUMBER	DESCRIPTION	ITEM

UNLESS OTHERWISE SPECIFIED			
1) All dimensions are in millimeters.	DRAWN:	RAI	Nov-8-19
2) Tolerances are as follows:	CHECKED:	MWH	Nov-8-19
3) Fit: DEC 2018	ENGINEER:		
3) Note reference =	APPROVE:	Tommy	Nov-8-19
	CUSTOMER:		

PROCESS SPECIFICATIONS			
MATERIAL SPECIFICATIONS			
NEXT ASBY			

MATERIALS LIST

SIGNATURES	DATE

SIZE	TYPE	DWG NO	REVISION
B	C-	SP20W1XX	B2

Amphenol

Sine Systems - www.amphenol-sine.com
44724 Montley Drive
Clinton Township, MI 48038

ECO-MATE PIN CONTACT
STAMPED, 20-22AWG, SIZE 20

SCALE	SHEET	OF
NONE	1	1

X-ON Electronics

Largest Supplier of Electrical and Electronic Components

Click to view similar products for [Standard Circular Contacts](#) category:

Click to view products by [Amphenol](#) manufacturer:

Other Similar products are found below :

[RC16M23J](#) [133780-1](#) [RM20M13D28](#) [RM24M9D28](#) [MS3474W10-6P L/C](#) [ELVP16100E](#) [164-901-CD](#) [EN3545007SCE](#)
[BV002BSQ20049CZ](#) [BV002SSQ160404CZ](#) [1900ND05S1B00B](#) [192900-0061](#) [192900-0575](#) [192900-0718](#) [166566-1](#) [1900ND04S1X00D](#)
[192900-0058](#) [192900-0309](#) [ST-JL05-16S-C3-100](#) [ST-JL05-20S-C1-100](#) [ST-JL05-20S-C2-100](#) [T01-CRIMP-S03](#) [APK-SA16A07-002](#) [CONT-](#)
[JL05-08S-C2-10](#) [RC16M-23T](#) [RFD26L-1D28](#) [BV002ASJ16049CW](#) [JN1-22-20S-R-PKG100](#) [031-50565](#) [ELFH08251](#) [ELFP0641GE](#)
[SJS861301M](#) [ST-JL05-16S-C1-100](#) [ST-JL05-20P-C1-100](#) [82911466K](#) [ESLM03200](#) [192991-0087](#) [192900-0570](#) [ELFH07251](#) [44-104-10003-](#)
[02](#) [T3P16FC3LZ](#) [ST-JL05-16S-C2-3500](#) [ZP-4016-10NF](#) [CONT-JL05-12P-C1-10](#) [RM20M12G8D28](#) [031-50676](#) [12115010110](#) [RJFTVC2MG](#)
[CAP-DACMDPC2](#) [031-50675-002](#)