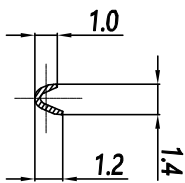


CONTACT ORIENTATION ON ROLL

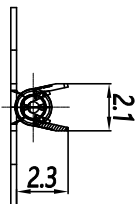
NOTES: (UNLESS OTHERWISE SPECIFIED)

1. MATERIAL:
 - 1.1. CONTACT BODY: COPPER ALLOY.
 - 1.2. OUTER SPRING: STAINLESS STEEL.
2. SPECIFICATIONS:
 - 2.1 CURRENT RATING: 5A MAX.
 - 2.2 TERMINATION TYPE: CRIMPING.
 - 2.3 WIRE RANGE: 30-28AWG.
 - 2.4 WIRE INSULATION DIA(MAX): \varnothing 1.8mm.
3. ROHS COMPLIANT.
4. ALL DIMENSIONS ARE FOR REFERENCE USE ONLY.
5. AVAILABLE TOOLS:
 - 5.1 HAND CRIMPER: MFX-3958. B2
 - 5.2 CRIMP APPLICATOR: MFX-3957.
 - 5.3 EXTRACTION TOOL: QXRT20.

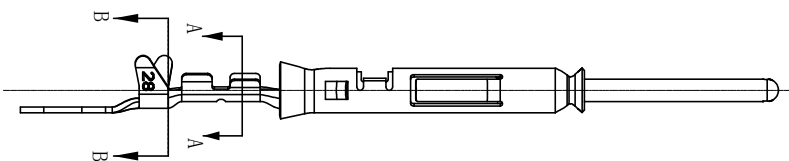
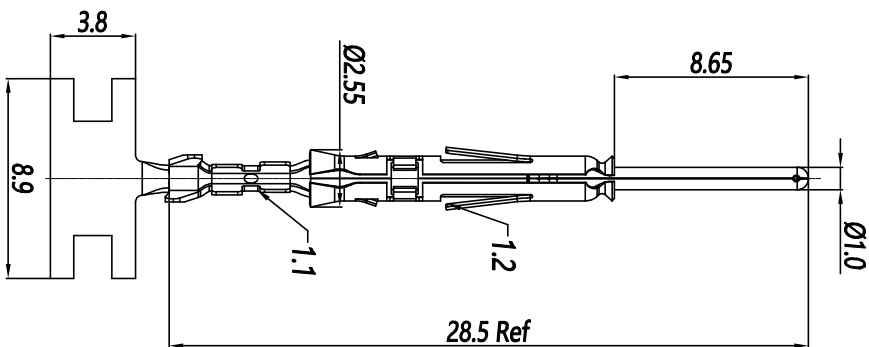
P/N	CONTACT PLATING(MATING AREA)
SP28W1T	TIN PLATING OVER NICKEL.
SP28W1F	GOLD FLASH PLATING OVER NICKEL.
SP28W1G5	5 μ "GOLD PLATING OVER NICKEL.
SP28W1G10	10 μ "GOLD PLATING OVER NICKEL.
SP28W1G15	15 μ "GOLD PLATING OVER NICKEL.
SP28W1G30	30 μ "GOLD PLATING OVER NICKEL.



SECTION A-A



SECTION B-B



REVISIONS					
REV	ECO	DESCRIPTION	DATE	BY	APPR
B1	-	RELEASED DRAWING	AUG-18-2014	BEN	TOMMY
B2	-	CHANGE HAND CRIMPER	Nov-8-19	Flan	Tommy

QUANTITY	PART NUMBER	DESCRIPTION	ITEM
MATERIALS LIST			

UNLESS OTHERWISE SPECIFIED			
1) All dimensions are in millimeters.			
2) Tolerances are as follows:			
1 Pt. DEC 01-30	Fractions 1/16"	DRAWN:	RBI
3 Pt. DEC 30-018	Angles 30°	CHECKED:	MWH
3) Note reference = MATERIAL SPECIFICATIONS			
PROCESS SPECIFICATIONS			
NEXT ASBY:			
SIGNATURES		DATE	
CHECKED:	ENGINEER:	APPROVE:	CUSTOMER:
MWH	Tommy	Tommy	Nov-8-19
THE DRAWING IS SUPPLEMENT FOR SPECIFICATIONS AND PERFORMANCE DATA. THE MANUFACTURING CORPORATION NO RIGHTS OF REPRODUCTION ARE AWARDED. ALL MANUFACTURING VARIATIONS			
SCALE: NONE		ECO-MATE PIN CONTACT, STAMPED, 30-28AWG, SIZE 20.	
SIZE: B C-		DWG NO: SP28W1XX	
SHEET: 1 OF 1		REVISION: B2	

Amphenol
Sine Systems - www.amphenol-sine.com
44724 Montley Drive
Clinton Township, MI 48038

ECO-MATE PIN CONTACT,
STAMPED, 30-28AWG, SIZE 20.

SCALE: NONE
SHEET: 1 OF 1
REVISION: B2

X-ON Electronics

Largest Supplier of Electrical and Electronic Components

Click to view similar products for [Standard Circular Contacts](#) category:

Click to view products by [Amphenol](#) manufacturer:

Other Similar products are found below :

[RC16M23J](#) [133780-1](#) [RM20M13D28](#) [RM24M9D28](#) [MS3474W10-6P L/C](#) [ELVP16100E](#) [164-901-CD](#) [EN3545007SCE](#)
[BV002BSQ20049CZ](#) [BV002SSQ160404CZ](#) [1900ND05S1B00B](#) [192900-0061](#) [192900-0575](#) [192900-0718](#) [166566-1](#) [1900ND04S1X00D](#)
[192900-0058](#) [192900-0309](#) [ST-JL05-16S-C3-100](#) [ST-JL05-20S-C1-100](#) [ST-JL05-20S-C2-100](#) [T01-CRIMP-S03](#) [APK-SA16A07-002](#) [CONT-](#)
[JL05-08S-C2-10](#) [RC16M-23T](#) [RFD26L-1D28](#) [BV002ASJ16049CW](#) [JN1-22-20S-R-PKG100](#) [031-50565](#) [ELFH08251](#) [ELFP0641GE](#)
[SJS861301M](#) [ST-JL05-16S-C1-100](#) [ST-JL05-20P-C1-100](#) [82911466K](#) [ESLM03200](#) [192991-0087](#) [192900-0570](#) [ELFH07251](#) [44-104-10003-](#)
[02](#) [T3P16FC3LZ](#) [ST-JL05-16S-C2-3500](#) [ZP-4016-10NF](#) [CONT-JL05-12P-C1-10](#) [RM20M12G8D28](#) [031-50676](#) [12115010110](#) [RJFTVC2MG](#)
[CAP-DACMDPC2](#) [031-50675-002](#)