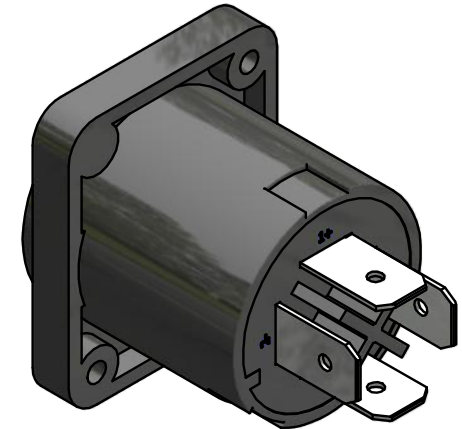
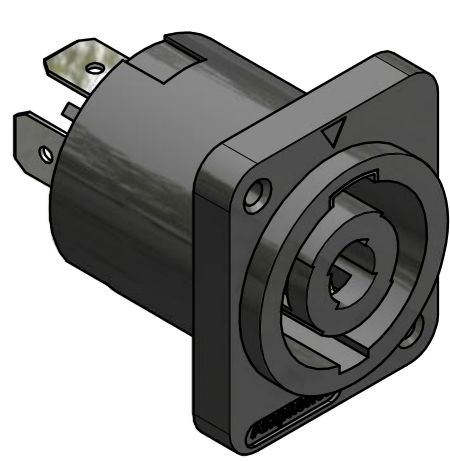
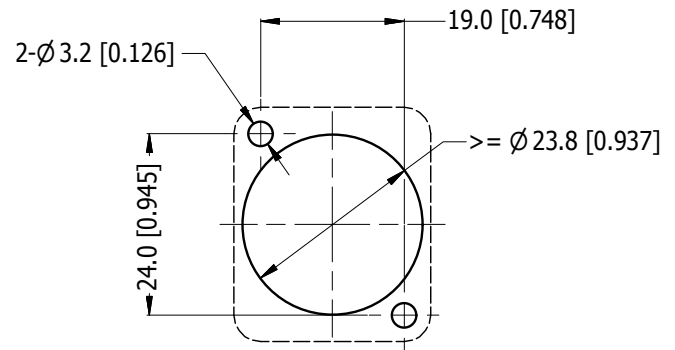
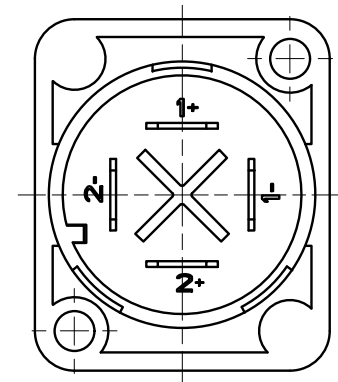
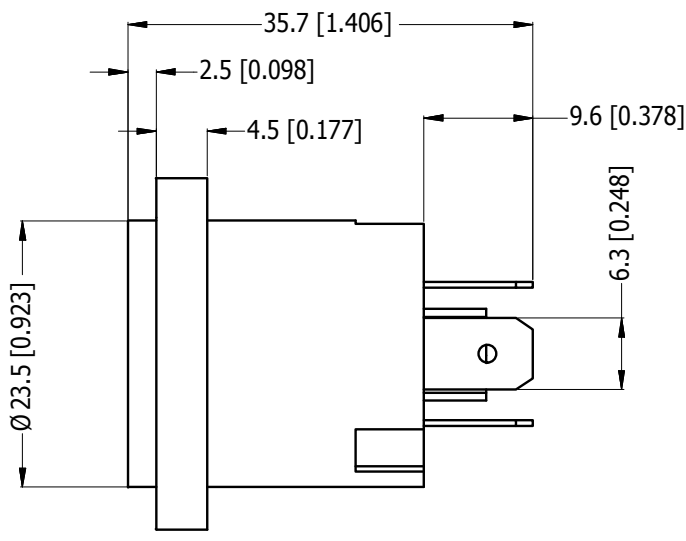
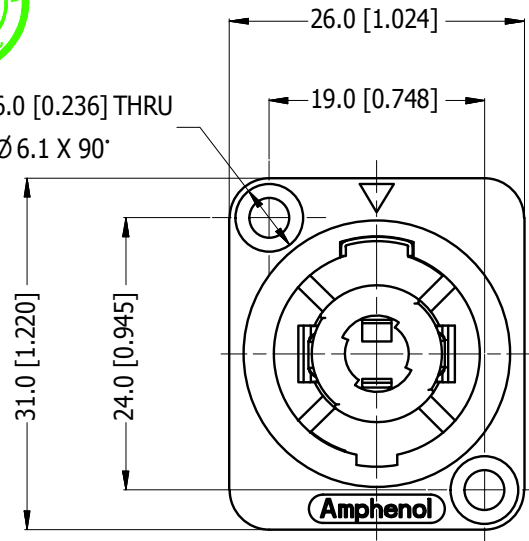


LEGEND  = KEY PRODUCT CHARACTERISTICS

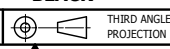


| REVISION HISTORY | | | | |
|------------------|-------------|----|----------|------|
| REV | DESCRIPTION | BY | DATE | ECN |
| 0 | FIRST ISSUE | MH | 29/02/16 | ---- |



PANEL CUTOUT (1 : 1)

| | | | | | | | |
|--|-------------|--|-------------------|-----------------|---|---|-------|
| UNLESS OTHERWISE SPECIFIED TOLERANCE TO BE | | THIS DOCUMENT IS THE PROPERTY OF AMPHENOL AUSTRALIA PTY. LTD. NO PART THEREOF MAY BE REPRODUCED AND USED WITHOUT THE PRIOR WRITTEN CONSENT OF THE OWNER | | | | Amphenol Amphenol Australia Pty.Ltd, 22 Industry Blvd, Carrum Downs, VIC 3201 | |
| LINEAR | ANGULAR | MATERIAL: | DRN: | DATE: | TITLE: | PART No. | |
| X ± 0.5 | X° ± 1 | REFER TO COMPONENTS | MH | 29/02/16 | SP SERIES CONNECTOR LOUDSPEAKER 4 POLE | SP-4-MDQ | |
| X.X ± 0.1 | X.X° ± 30° | BREAK ALL SHARP EDGES AND REMOVE ALL BURRS | CKD: | 29/02/16 | | DRAWING No. | SHEET |
| X.XX ± 0.05 | X.XX° ± 15° | DO NOT SCALE | APP'D: | 29/02/16 | 55011133-000-2 | 2 / 2 | |
| DIMENSIONS IN MILLIMETRES | | FINISH: BLACK | SCALE: 3:2 | SIZE: A4 | CAD FILE: 55011133000210 | | |



X-ON Electronics

Largest Supplier of Electrical and Electronic Components

Click to view similar products for [Loudspeaker Connectors](#) category:

Click to view products by [Amphenol](#) manufacturer:

Other Similar products are found below :

[HFRP-01](#) [LRX](#) [FE6935](#) [EP-3-14](#) [EP-4-12](#) [SC-M2-20](#) [CC-212](#) [CC-226](#) [FM1250](#) [FM1255](#) [FM1285](#) [NL4FRX](#) [NL4MMX](#) [NL4MPR](#)
[NL4MP-ST](#) [NL8FC](#) [NLT4FP-BAG](#) [NLT8MP](#) [NLT8MP-BAG](#) [SP-4-MDV](#) [EP-8-11P](#) [EP-6-13P](#) [HPCC4FT](#) [NL4FX-5](#) [NL4MD-H](#) [NL4MD-](#)
[V-2](#) [NL4MP-UC](#) [NLJ2MD-H](#) [NLT4MP](#) [SCNLT](#) [CP303010](#) [CP303010X](#) [HFRP-01B](#) [SP-2-FSG](#) [SP-2-FNSG](#) [AP-4-21](#) [AP-5-22](#) [AP-6-14](#)
[AP-8-11](#) [AP-8-13](#) [SC-M2-04](#) [SC-NB10-1.0](#) [SC-NB20-1.0](#) [SC-NB30-1.0](#) [SC-NI10-0.6](#) [SC-NI10-1.8](#) [SC-NI4-0.75](#) [SC-NI6-0.6](#) [SC-NI6-2.7](#)
[SC-SA15-0.6](#)