

New from Amphenol PCD—APeX Galley Connector, Circular



The new **APeX Galley Connector, Circular** is the latest circular connector from Amphenol Pcd. Designed specifically for legacy and new generation galley systems, it was tested to MIL-STD-1344 connector and EN 2591 contact standards. Highly reliable and easy to use, this blind-mate connector is also interchangeable and intermateable with other pre-existing equipment in the field.

Benefits at a Glance

Intermateable and Interchangeable

Ability to mate with other pre-existing equipment in the field

Versatility

Crimp termination connection system with 3 Power (10 AWG) & 3 Control (16 AWG)

Blind-Mate Connection

Designed with a key feature to enable quick and simple, blind-mating

Highly Reliable and Durable

Tested to MIL-STD 1344 and EN 2591 standards; high frequency mating

Many Choices

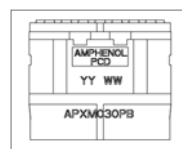
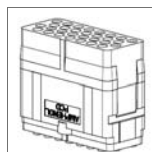
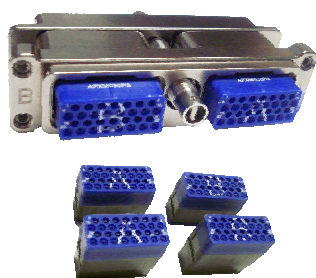
Configurable to PCB contacts; plating options available

Intuitive and Ergonomic

Smooth, low insertion force to mate connector

Other APeX Rectangular Connectors

30-pin insert, Size 20



Part Number	Polarization	Contact
APXM030PA	A	none
APXM030PB	B	none
APXM130PA	A	CNP820100
APXM130PB	B	CNP820100

Contact us or more information

Other High Performance Products



Luminus Series

- Environmentally sealed
- Easy to use
- Lightweight
- Standard AS39029 contacts
- Multiple configurations



Quick Mount Relay Sockets

- Quick and easy installation
- No hardware or tools required
- Reduces FOD
- Lightweight



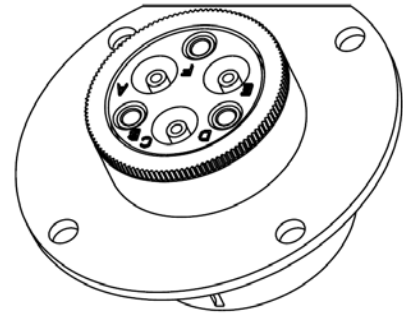
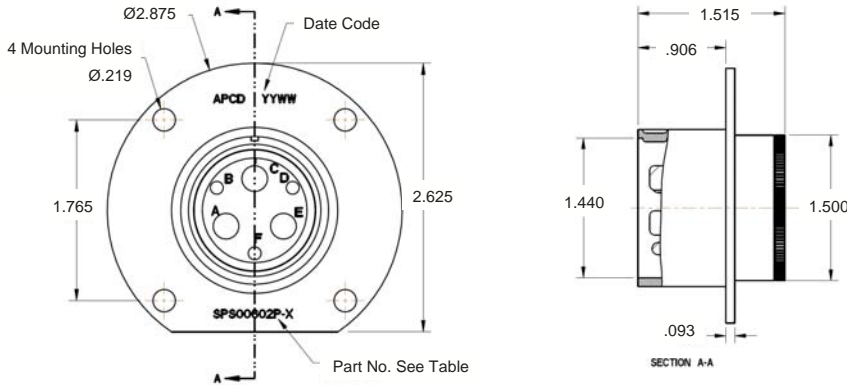
High Performance P-Clamps

- PEEK polymer
- Non-corrosive & Non-conductive
- Overmolded silicone cushions
- Lightweight & durable

72 Cherry Hill Drive
Beverly, MA 01915 USA
info@amphenolpcd.com
978-624-3400

Amphenol

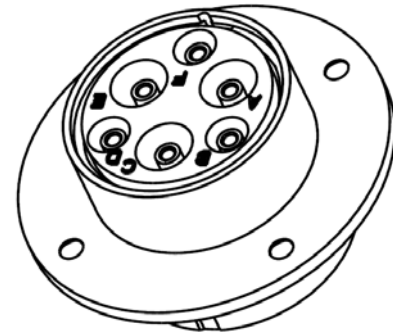
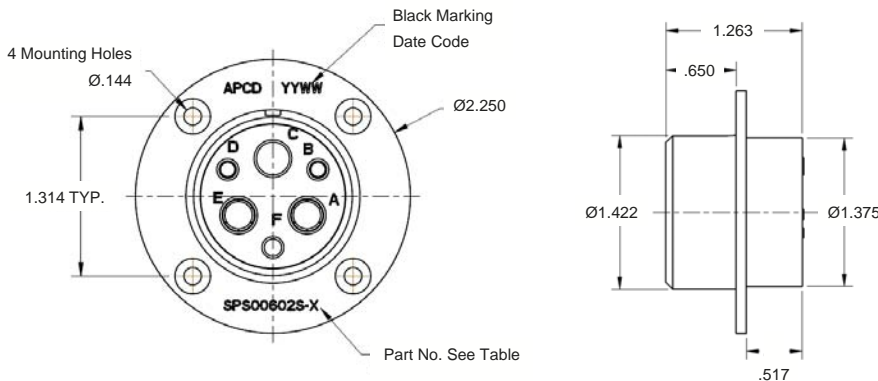
Panel Mount, Plug - 6 position, crimp termination



Part No.	Contact Qty	Contact Gauge	Crimp Well Wire Awg	Contact Part No.
SPS00602P-1	1	10	10	CNP910100-SZ
	2	10	14/16	CNP910200-SZ
	3	4	14/16	CNP904100-SZ
SPS00602P-2	2	10	10	CNP910100-SZ
	3	4	14/16	CNP904100-SZ
SPS00602P-3	3	10	10	CNP910100-SZ
	3	4	14/16	CNP904100-SZ
SPS00602P-4	3	10	14/16	CNP910200-SZ
	3	4	14/16	CNP904100-SZ
SPS00602P-5	Without	n/a	n/a	n/a

Material	
Shell	Aluminum Alloy 6061 T6
Shell Finish	Clear Anodized Finish
Housing	PPS-V0 1140A6
Color, Hsg	Black
Contact Retainer	Ultem CRS5011
Color, CR	Black
Internal Contact	Copper Alloy
Intern. Contact Finish	Silver Plate
Seal	EPDM Rubber
Mating Part	SPS00602S-X

Panel Mount, Receptacle - 6 position, crimp termination



Part No.	Contact Qty	Contact Gauge	Crimp Well Wire Awg	Contact Part No.
SPS00602S-1	1	10	10	CNS910100-SZ
	2	10	14/16	CNS910200-SZ
	3	4	14/16	CNS904100-SZ
SPS00602S-2	2	10	10	CNS910100-SZ
	3	4	14/16	CNS904100-SZ
SPS00602S-3	3	10	10	CNS910100-SZ
	3	4	14/16	CNS904100-SZ
SPS00602S-4	3	10	14/16	CNS910200-SZ
	3	4	14/16	CNS904100-SZ
SPS00602S-5	Without	n/a	n/a	n/a

Material	
Shell	Aluminum Alloy 6061 T6
Shell Finish	Clear Anodized Finish
Housing	PPS-V0 1140A6
Color, Hsg	Black
Contact Retainer	Ultem CRS5011
Color, CR	Black
Internal Contact	Copper Alloy
Intern. Contact Finish	Silver plate
Mating Part	SPS00602P-X

Tool	Description
Crimp	M310
Adapter	TP1040 (for use with CNP and CNS904100-SZ contacts)

Tool	Description
Adapter	TP1041 (for use with CNP and CNS910200-SZ contacts)
Adapter	TP1042 (for use with CNP and CNS904100-SZ contacts)

Note: Tool part numbers from Daniels Manufacturing

March, 2012

X-ON Electronics

Largest Supplier of Electrical and Electronic Components

Click to view similar products for [Circular MIL Spec Connector](#) category:

Click to view products by [Amphenol](#) manufacturer:

Other Similar products are found below :

[0025-262-542](#) [0025-264-3014](#) [58-570121-04S](#) [0134-202-1200](#) [0134-207-1206](#) [0134-207-1800](#) [0134-207-2207](#) [0134-213-0806](#) [0134-213-1007](#) [0134-213-1009](#) [0134-213-1208](#) [0134-213-1800](#) [0134-213-2209](#) [0025-258-000](#) [015-9516-002](#) [60-042722-19P](#) [0114-201-1278](#) [602GB06EG24-61SN](#) [0134-201-1207](#) [0134-201-1806](#) [0134-201-2006](#) [0134-201-2007](#) [0134-201-2010](#) [0134-202-1400](#) [0134-207-0809](#) [0134-207-1208](#) [0134-207-2009](#) [0134-213-1006](#) [6104-207-2302](#) [6104-208-1902](#) [6104-215-0902](#) [6131-202-19149P](#) [6131-204-21149P](#) [6131-207-13149P](#) [6131-208-13149P](#) [6131-209-17149P](#) [6131-210-11149P](#) [6131-211-19149P](#) [6131-216-19149P](#) [6131-220-25149P](#) [6131-259-11149P](#) [6131-259-21149P](#) [6131-259-23149P](#) [6131-263-19149P](#) [6131-265-17149P](#) [6131-265-19149P](#) [CS3102A-20-15P](#) [CS3102A-20-15S](#) [CS3102C18-4P-472](#) [CS3106A-20-29P](#)