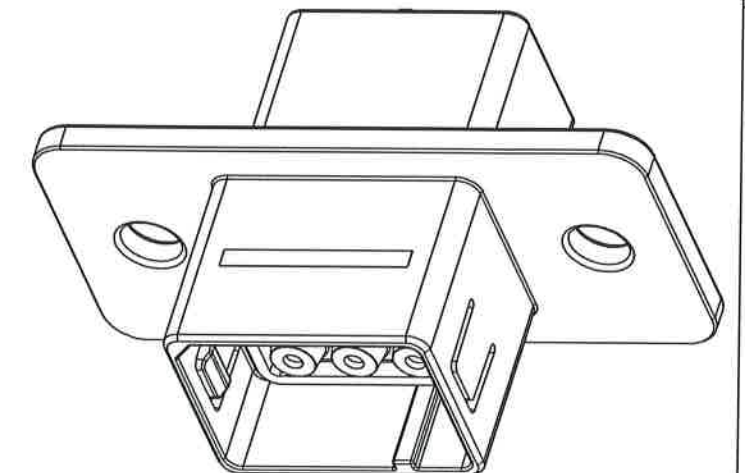
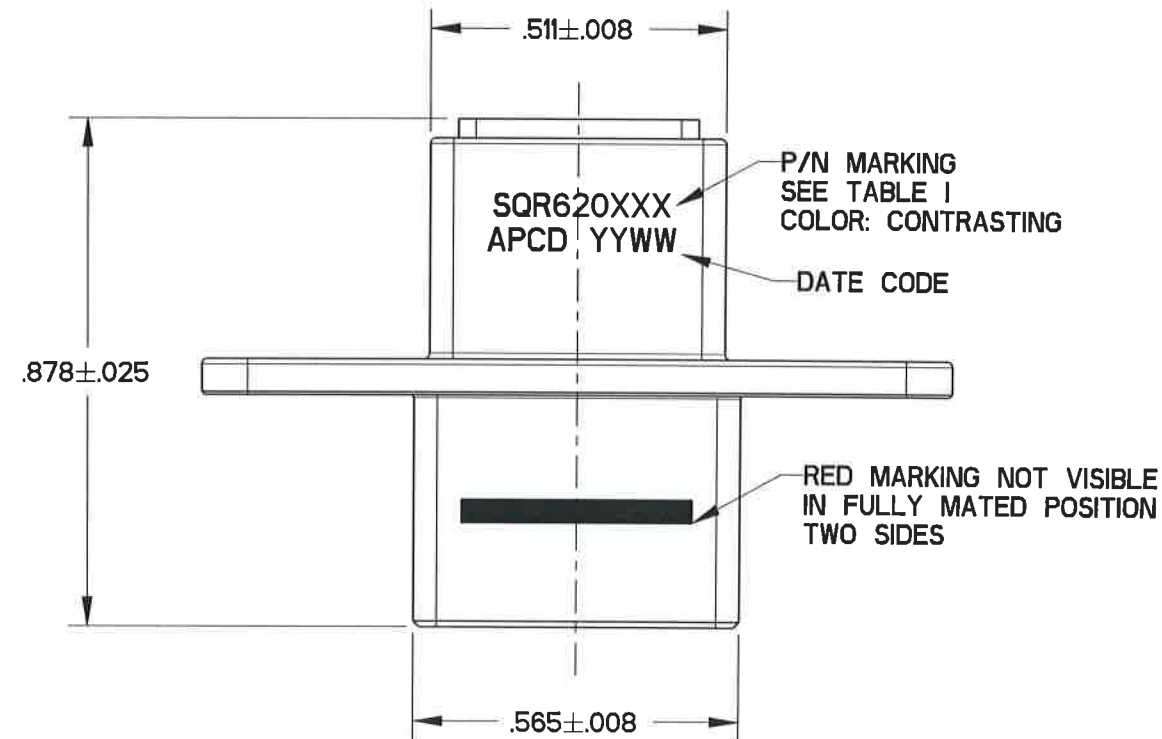
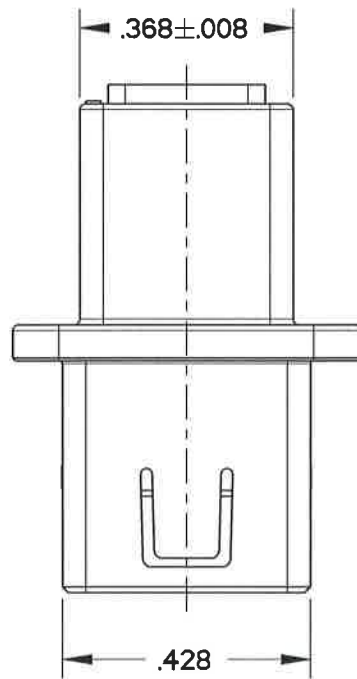
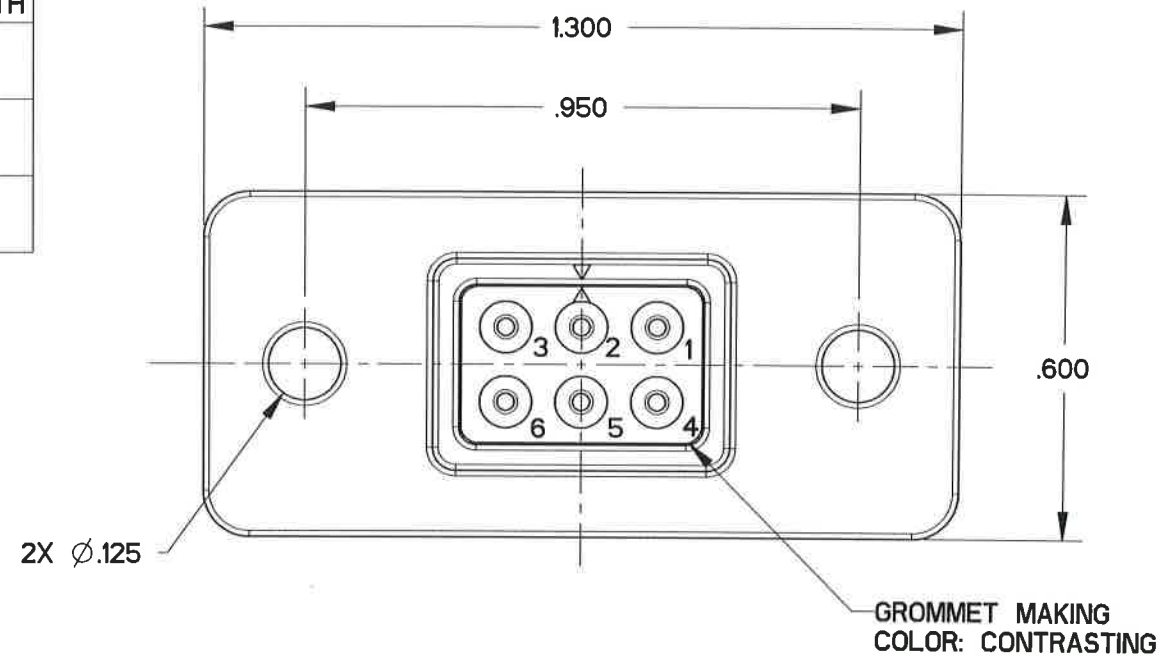


SQR620700

REV	ECN	APP'D
-	8175	WLC 11/10/17

TABLE I - PART NUMBER SCHEME

APCD P/N	CONTACTS SUPPLIED	COLOR / KEY	P/N MARKING	PART MATES WITH
SQR620721	(6) M39029/58-363	WHITE / C	SQR620720	SQR620170
SQR620720	NONE			
SQR620711	(6) M39029/58-363	GREEN / B	SQR620710	SQR620160
SQR620710	NONE			
SQR620701	(6) M39029/58-363	BLACK / A	SQR620700	SQR620150
SQR620700	NONE			



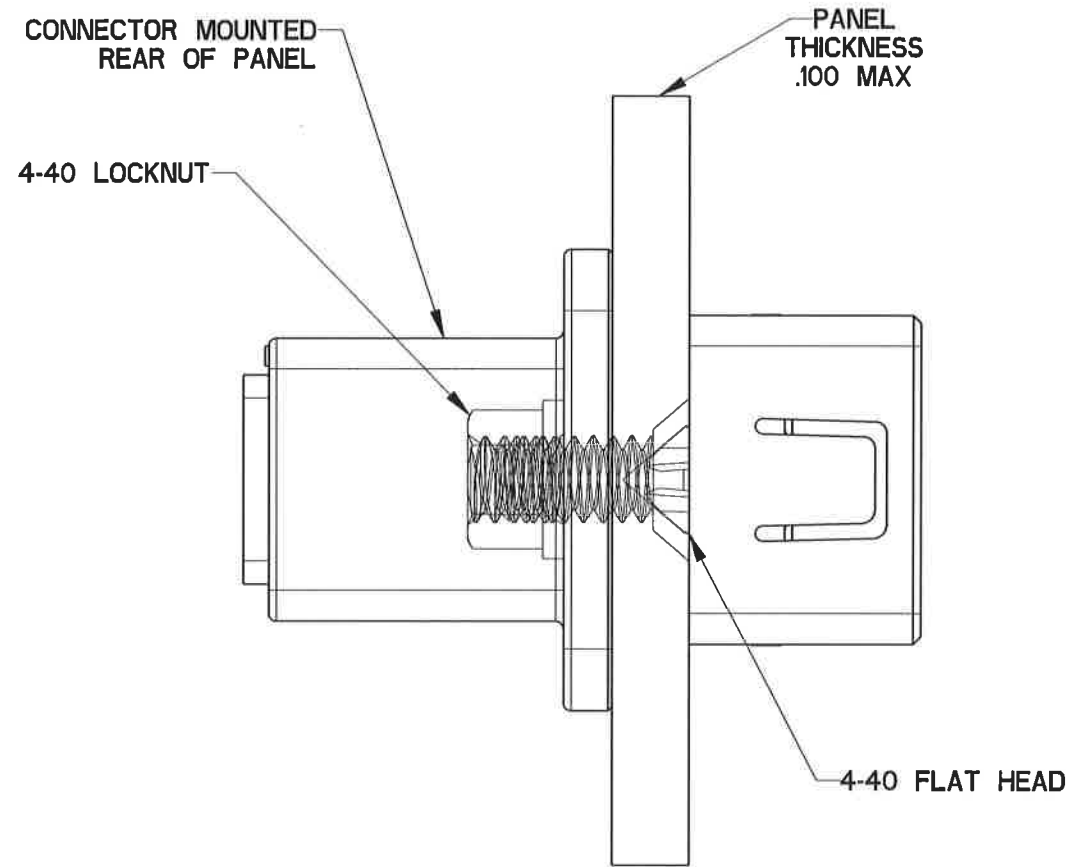
NOTES:

- MATERIALS:
 OUT HOUSING: POLYETHERIMIDE
 INNER HOUSING: POLYETHERIMIDE
 CONTACT RETAINER: STAINLESS STEEL
 GROMMET & FACE SEAL: SILICONE RUBBER PER A-A-59588
- PART ACCEPTS M39029/58-363 CONTACTS
- WEIGHT: 3.5g

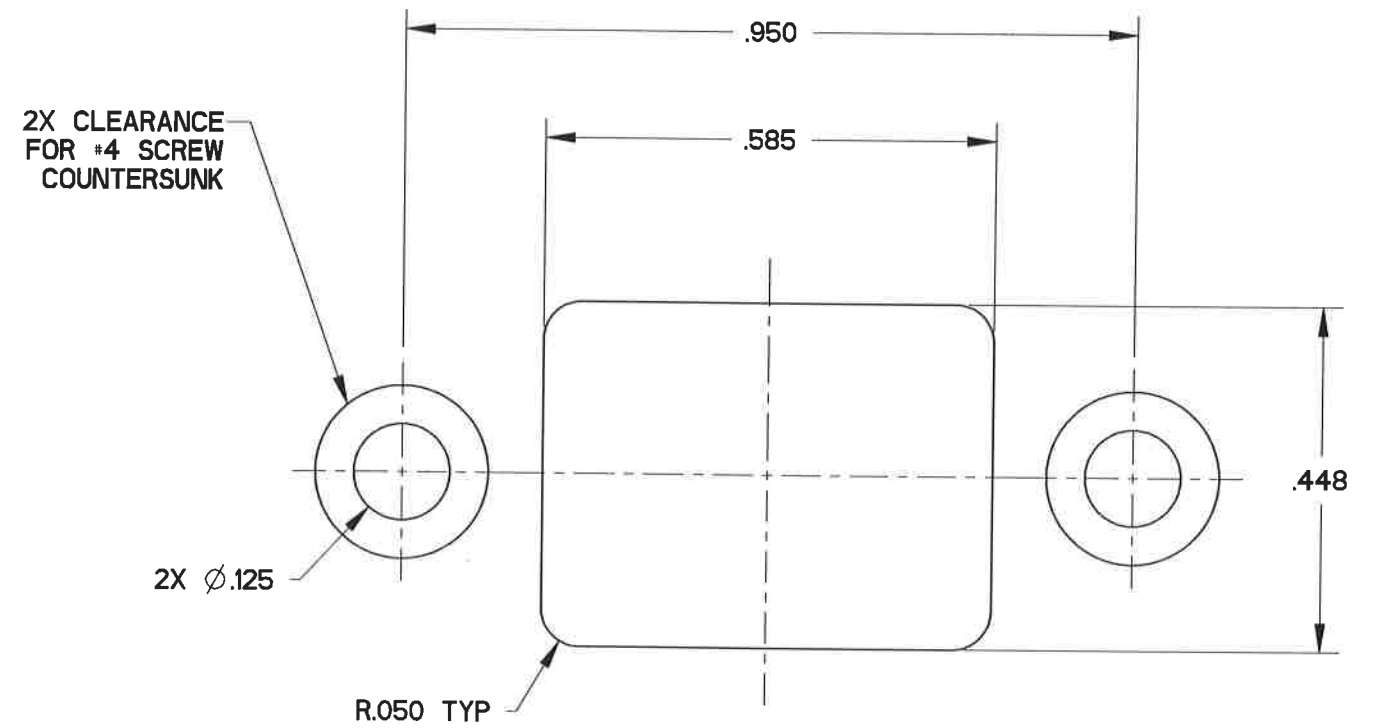
DIMENSIONS ANSI Y14.5M UNITS: INCHES Pro/E FILE	TOLERANCES .XX ±0.01 .XXX ±0.005 ANGLES ±2.0°	PROJECTION 	Amphenol Pcd SPECIFICATION DRAWING		TITLE 6 POS SIZE 20 RECEPTACLE FLANGE REAR MOUNT WITH PIN CONTACTS SQR SIZE 2		
			ENGR MICKEY ZHANG Jun-29-17		SIZE	DWG NO.	REV
ORIGINAL	THIS DOCUMENT CONTAINS PROPRIETARY INFORMATION WHICH IS THE CONFIDENTIAL PROPERTY OF AMPHENOL PCD INC., BEVERLY, MA		CHKD 11/10/17 APPD 11/10/17		B	SQR620700	-
			CODE: 58982	SCALE: 8:3	SHEET 1 OF 2		

SQR620700

SQR620700



PANEL MOUNTING RECOMMENDATIONS



RECOMMENDED PANEL CUT OUT FOR HARDWARE INSTALLATION

SIZE	DWG NO.	REV
B	SQR620700	-
CODE: 58982	SCALE: 8:3	SHEET 2 OF 2

X-ON Electronics

Largest Supplier of Electrical and Electronic Components

Click to view similar products for [Heavy Duty Power Connectors](#) category:

Click to view products by [Amphenol](#) manufacturer:

Other Similar products are found below :

[647757-1](#) [6643411-1](#) [6646058-2](#) [6646137-1](#) [6646138-1](#) [6646479-1](#) [6646608-1](#) [6646786-1](#) [6646940-1](#) [6651091-1](#) [6651525-1](#) [6651529-1](#)
[6651788-1](#) [696475-1](#) [73000005059](#) [73000005642](#) [765-15-0080A](#) [765-16-0080B](#) [829992-1](#) [902-77-02113](#) [129-1J](#) [AN0024023](#) [E6374G1](#)
[e6389g2](#) [157-43GW8](#) [MS3117-14AC](#) [1643543-1](#) [1650540-1](#) [1651811-2](#) [1766260-1](#) [1766282-1](#) [1766966-1](#) [1791340000](#) [NLDFT-3-BL-L-](#)
[S120-M40A](#) [NLDFT-N-W-L-C240-M40B](#) [NLS-2-R-C240-M40B](#) [NLS-N-W-C240-M40B](#) [NPS-3-BL-T6](#) [1986615-1](#) [2-1589900-8](#) [2199314-1](#)
[KA8102](#) [9300480317](#) [SBS50BRN#6](#) [29131](#) [29652](#) [1646905-1](#) [1648320-1](#) [1648582-1](#) [1650195-2](#)