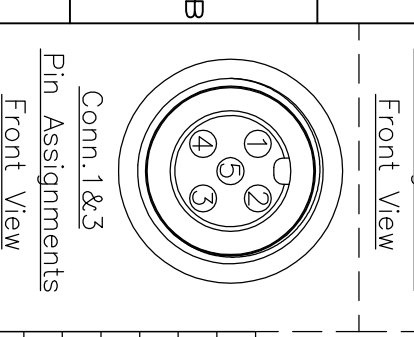
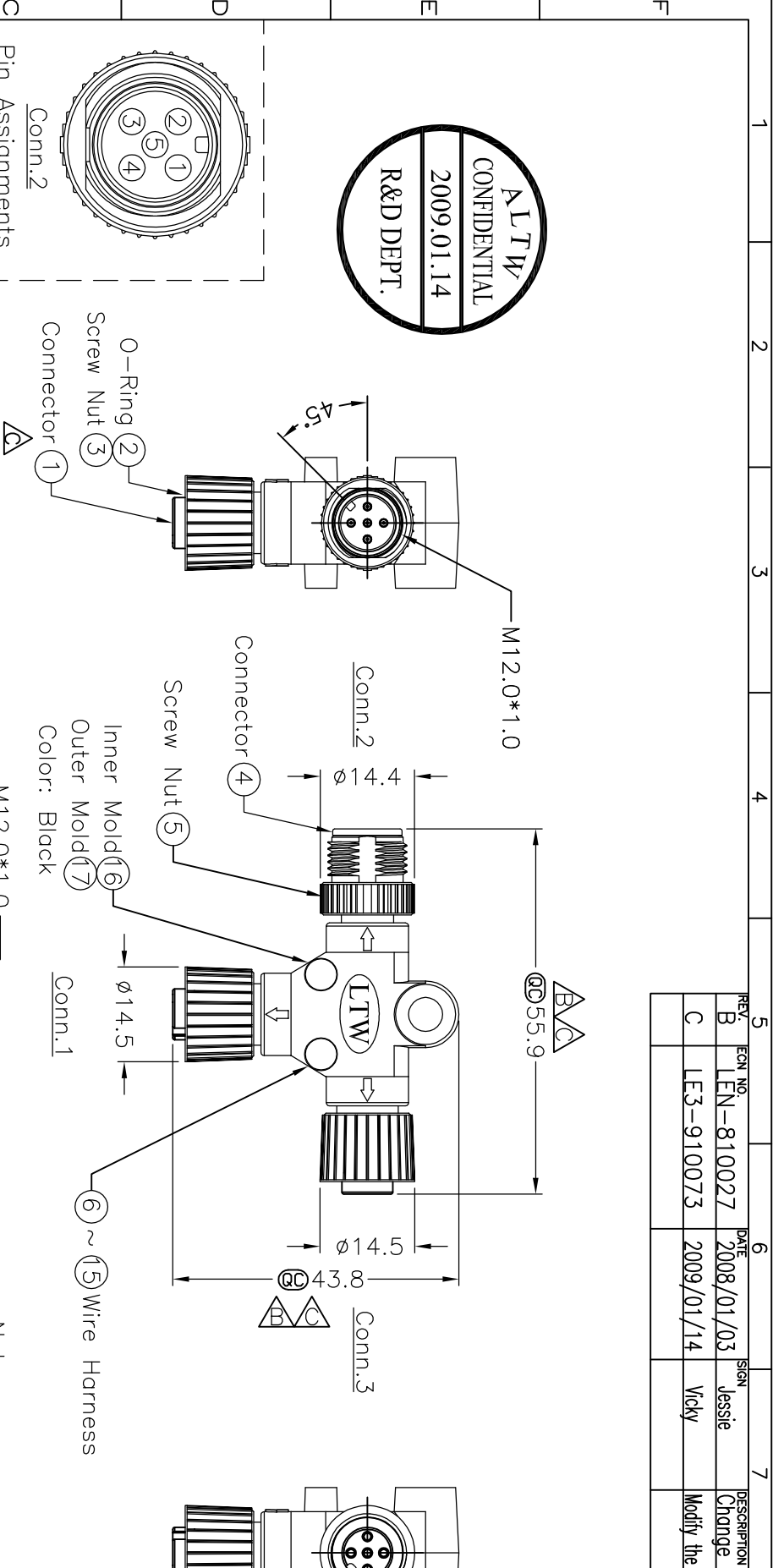
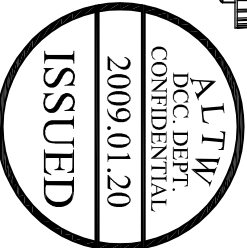
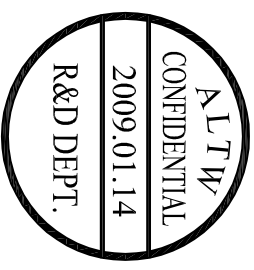
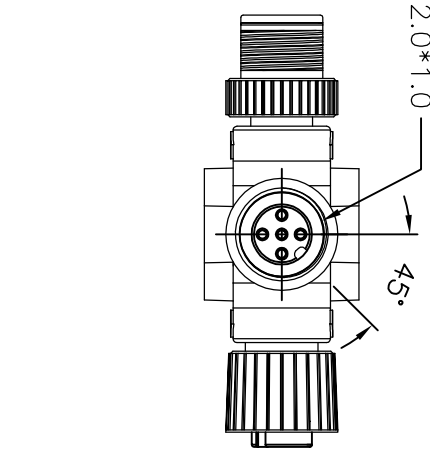


REV. 5	EGR. NO. EN-810027	DATE 2008/01/03	SIGN. Jessie	DESCRIPTION Charge Dimension.
B	LEN-810027	2008/01/03	Jessie	Charge Dimension.
C	LE3-910073	2009/01/14	Vicky	Modify the Wire Harness & Change Dimension



Pin Assignments	Wire Color	Conn. 1	Conn. 2	Conn. 3
Blue (24AWG)	藍	5	5	5
White (24AWG)	白	4	4	4
Black (22AWG)	黑	3	3	3
Red (22AWG)	紅	2	2	2
Green (24AWG)	綠	1	1	1



Note:

- * @ Important Dimension.
- * Waterproof Rate: IP68.
- * In 1 meter water within 24 hours.
- * Connector: Black, PU.
- * O-Ring: Green, Viton.
- * Screw Nut: Zinc Alloy, Nickel Plated.
- * Pin: Copper Alloy, Gold Plated.
- * Wire Harness: UL1061 24AWG, Green, White, Blue.
- * Wire Harness: UL1061 22AWG, Red, Black.

UNIT: mm	
TOLERANCE	
±0.5 mm	

TITLE	M12 Conn T Adaptor
SCALE	Free
REV. C	SIZE A4
SHEET 1	OF 1
@@	inspection item

Amphenol LTW
安費諾亮泰企業股份有限公司

ITEM NO	SS-050505-FMF-TS001
DWG NO	SS-050505-FMF-TS001
CUSTOMER	ALTW

DRAWN BY	Vicky	DATE	2009/01/14
CHECKED BY	Ivgn	DATE	2009/01/14
APPROVED BY	Luke	DATE	2009/01/14

X-ON Electronics

Largest Supplier of Electrical and Electronic Components

Click to view similar products for [Circular Metric Connectors](#) category:

Click to view products by [Amphenol](#) manufacturer:

Other Similar products are found below :

[600X518037X](#) [6STD15PCR99B70A](#) [8R4000A16M020](#) [8R5000A16M005](#) [1200910002](#) [1203580030](#) [1200910008](#) [1200910011](#) [1300140094](#)
[130203-0054](#) [1300140026](#) [1300150099](#) [1-3637-600-5205](#) [1612618](#) [21036836414](#) [8R4006A16M010](#) [1R3006A20M005](#) [41-40011](#) [42-00006](#)
[42-01015](#) [4-22279-4](#) [4-22281-1](#) [4-22284-9](#) [43-00113](#) [43-01203](#) [41-40013](#) [42-00008](#) [43-00343](#) [43-01026](#) [43-01162](#) [43-01173](#) [43-10000](#)
[XS3P-M421-2](#) [600X518050X](#) [8R5006A16M020](#) [8R5006A16M005](#) [8R4000A16M010](#) [6-22279-3](#) [1605332](#) [N03FA03144](#) [1300140077](#) [43-](#)
[16213](#) [43-01338](#) [XS2RD4265](#) [XS2R-D426-1](#) [XS8A-0441](#) [859RD04-103R004](#) [860RD04-113R004](#) [860RD04-213R004](#) [1-213245-2](#)