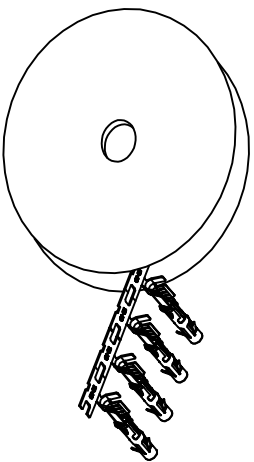


REVISIONS				
REV	ECO	DESCRIPTION	DATE	BY APPR
A1	-	RELEASED DRAWING	Jul-16-18	Flan Tommy

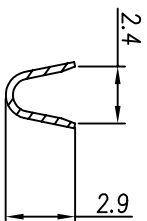


CONTACT ORIENTATION ON ROLL(3000PCS./COIL)

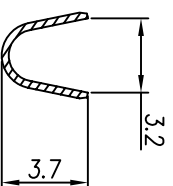
NOTES : (UNLESS OTHERWISE SPECIFIED)

- MATERIAL :
 - CONTACT BODY : COPPER ALLOY.
 - OUTER SPRING : STAINLESS STEEL.
- SPECIFICATIONS :
 - CURRENT RATING : 13A MAX.
 - TERMINATION TYPE : CRIMPING.
 - WIRE RANGE : 16~18AWG.
 - WIRE INSULATION DIA(MAX) : ϕ 3.2mm.
- RoHS COMPLIANT.
- ALL DIMENSIONS ARE FOR REFERENCE USE ONLY.
- AVAILABLE TOOLS :
 - HAND CRIMPER : MFX-3954.
 - CRIMP APPLICATOR : MFX-3957.
 - EXTRACTION TOOL : QXRT16.

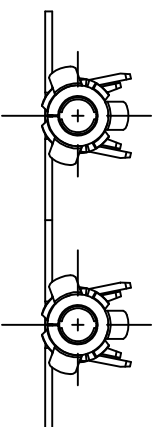
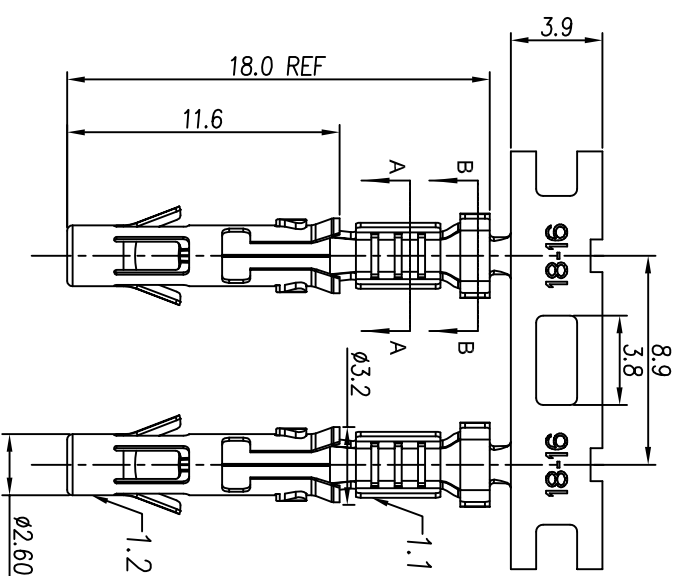
P/N	CONTACT PLATING(MATING AREA)
SS16M2T	TIN PLATING OVER NICKEL.
SS16M2N	NICKEL PLATING OVER COPPERIZE.
SS16M2F	GOLD FLASH PLATING OVER NICKEL.
SS16M2G5	5 μ "GOLD PLATING OVER NICKEL.
SS16M2G10	10 μ "GOLD PLATING OVER NICKEL.
SS16M2G15	15 μ "GOLD PLATING OVER NICKEL.
SS16M2G30	30 μ "GOLD PLATING OVER NICKEL.



SECTION A-A



SECTION B-B



QUANTITY	PART NUMBER	DESCRIPTION	ITEM
		Amphenol	
<p>UNLESS OTHERWISE SPECIFIED 1) All dimensions are in millimeters. 2) Tolerances are as follows: 1 PL DEC AD 30 Fractions ±1/4 3 PL DEC AD 08 Angles ±1° 3) Note reference = Δ</p>			
MATERIAL SPECIFICATIONS:		CUSTOMER: Tommy Jul-16-18	
PROCESS SPECIFICATIONS:		<p>TEST DRAWINGS SUPERSEDES ALL PREVIOUS DRAWINGS. SPECIFICATIONS AND PERFORMANCE DATA THE MANUFACTURING CORPORATION. NO RIGHTS OF REPRODUCTION ARE GRANTED. ALL MANUFACTURING VARIATIONS NORMAL.</p>	
TEXT ASSY:	SCALE: NONE	SIZE: B	REVISION: A1
ECCO-MATE SOCKET CONTACT, STAMPED, 16-18AWG, SIZE 16		SIZE: C-	REVISION: A1

MATERIALS LIST

SIGNATURES	DATE
DRAWN: Flan	Jul-16-18
CHECKED: Jod	Jul-16-18
ENGINEER:	
APPROVAL: Tommy	Jul-16-18

Sine Systems - www.amphenol-sine.com
 44724 Morley Drive
 Clinton Township, MI 48036

X-ON Electronics

Largest Supplier of Electrical and Electronic Components

Click to view similar products for [Standard Circular Contacts](#) category:

Click to view products by [Amphenol](#) manufacturer:

Other Similar products are found below :

[RC16M23J](#) [133780-1](#) [RM20M13D28](#) [RM24M9D28](#) [MS3474W10-6P L/C](#) [ELVP16100E](#) [164-901-CD](#) [EN3545007SCE](#)
[BV002BSQ20049CZ](#) [BV002SSQ160404CZ](#) [1900ND05S1B00B](#) [192900-0061](#) [192900-0575](#) [192900-0718](#) [166566-1](#) [1900ND04S1X00D](#)
[192900-0058](#) [192900-0309](#) [ST-JL05-16S-C3-100](#) [ST-JL05-20S-C1-100](#) [ST-JL05-20S-C2-100](#) [T01-CRIMP-S03](#) [APK-SA16A07-002](#) [CONT-](#)
[JL05-08S-C2-10](#) [RC16M-23T](#) [RFD26L-1D28](#) [BV002ASJ16049CW](#) [JN1-22-20S-R-PKG100](#) [031-50565](#) [ELFH08251](#) [ELFP0641GE](#)
[SJS861301M](#) [ST-JL05-16S-C1-100](#) [ST-JL05-20P-C1-100](#) [82911466K](#) [ESLM03200](#) [192991-0087](#) [192900-0570](#) [ELFH07251](#) [44-104-10003-](#)
[02](#) [T3P16FC3LZ](#) [ST-JL05-16S-C2-3500](#) [ZP-4016-10NF](#) [CONT-JL05-12P-C1-10](#) [RM20M12G8D28](#) [031-50676](#) [12115010110](#) [RJFTVC2MG](#)
[CAP-DACMDPC2](#) [031-50675-002](#)