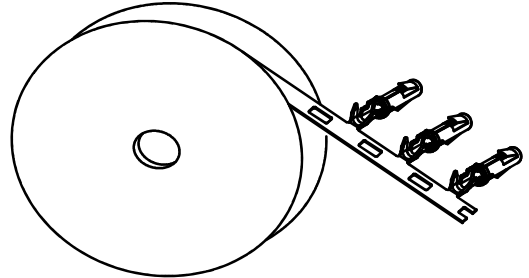


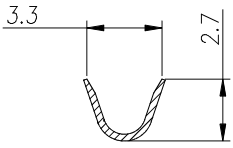
REVISIONS					
REV	ECO	DESCRIPTION	DATE	BY	APPR
B1	-	RELEASED DRAWING	JAN-18-2014	ARROW	TOMMY



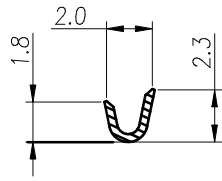
CONTACT ORIENTATION ON ROLL

NOTES : (UNLESS OTHERWISE SPECIFIED)

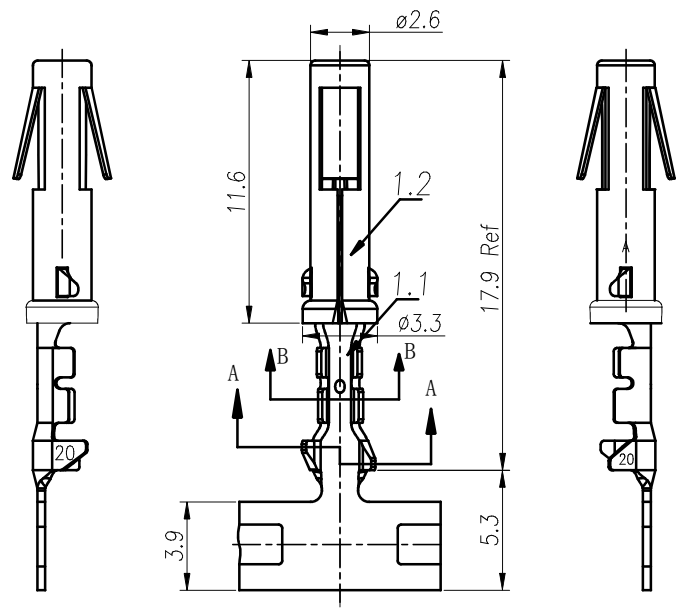
- 1. MATERIAL :**
 - 1.1. CONTACT BODY : COPPER ALLOY.**
 - 1.2. OUTER SPRING : STAINLESS STEEL.**
- 2. SPECIFICATIONS :**
 - 2.1 CURRENT RATING : 13A MAX.**
 - 2.2 TERMINATION TYPE : CRIMPING.**
 - 2.3 WIRE RANGE : 20~22AWG.**
 - 2.4 WIRE INSULATION DIA(MAX) : Ø3.2mm.**
- 3. ROHS COMPLIANT.**
- 4. ALL DIMENSIONS ARE FOR REFERENCE USE ONLY.**
- 5. AVAILABLE TOOLS :**
 - 5.1 HAND CRIMPER : MFX-3954.**
 - 5.2 CRIMP APPLICATOR : MFX-3957.**
 - 5.3 EXTRACTION TOOL : QXRT16.**



SECTION A-A



SECTION B-B



P/N	CONTACT PLATING(MATING AREA)
SS20M1T	TIN PLATING OVER NICKEL.
SS20M1F	GOLD FLASH PLATING OVER NICKEL.
SS20M1G10	10µ" GOLD PLATING OVER NICKEL.
SS20M1G15	15µ" GOLD PLATING OVER NICKEL.
SS20M1G30	30µ" GOLD PLATING OVER NICKEL.

QUANTITY	PART NUMBER	DESCRIPTION	ITEM
MATERIALS LIST			
<small>UNLESS OTHERWISE SPECIFIED</small> 1) All dimensions are in metric(mm). 2) Tolerances are as follows: 1 PL DEC ±0.30 Fractions ±1/64 2 PL DEC ±0.15 Angles ±1° 3 PL DEC ±0.08 3) Note reference =		SIGNATURES DATE DRAWN: ARROW JAN-17-2014 CHECKED: ENGINEER: APPROVAL:	<div style="text-align: center;"> <h2>Amphenol</h2> <p>Sine Systems - www.amphenol-sine.com 44724 Morley Drive Clinton Township, MI 48036</p> </div>
<small>MATERIAL SPECIFICATIONS:</small> THIS DRAWING IS SUPPLIED FOR INFORMATION ONLY. DESIGN FEATURES, SPECIFICATIONS AND PERFORMANCE DATA SHOWN HEREON ARE THE PROPERTY OF THE AMPHENOL CORPORATION. NO RIGHTS OF REPRODUCTION ARE IMPLIED. ALL DIMENSIONS ARE SUBJECT TO NORMAL MANUFACTURING VARIATIONS.		CUSTOMER: ECO-MATE, SOCKET CONTACT, STAMPED, 20-22AWG, SIZE 16	
<small>PROCESS SPECIFICATIONS:</small> NEXT ASSY:		SIZE TYPE DWG NO. B C- SS20M1xx	REVISION B1
		SCALE: NONE	SHEET 1 OF 1

TITLE: ECO-MATE, SOCKET CONTACT, STAMPED, 20-22AWG, SIZE 16
 DWG NO: SS20M1xx
 REV: B1
 SHEET: 1 OF 1

X-ON Electronics

Largest Supplier of Electrical and Electronic Components

Click to view similar products for [Standard Circular Contacts](#) category:

Click to view products by [Amphenol](#) manufacturer:

Other Similar products are found below :

[RC16M23J](#) [133780-1](#) [RM20M13D28](#) [RM24M9D28](#) [MS3474W10-6P L/C](#) [ELVP16100E](#) [164-901-CD](#) [EN3545007SCE](#)
[BV002BSQ20049CZ](#) [BV002SSQ160404CZ](#) [1900ND05S1B00B](#) [192900-0061](#) [192900-0575](#) [192900-0718](#) [166566-1](#) [1900ND04S1X00D](#)
[192900-0058](#) [192900-0309](#) [ST-JL05-16S-C3-100](#) [ST-JL05-20S-C1-100](#) [ST-JL05-20S-C2-100](#) [T01-CRIMP-S03](#) [APK-SA16A07-002](#) [CONT-](#)
[JL05-08S-C2-10](#) [RC16M-23T](#) [RFD26L-1D28](#) [BV002ASJ16049CW](#) [JN1-22-20S-R-PKG100](#) [031-50565](#) [ELFH08251](#) [SJS861301M](#) [ST-](#)
[JL05-16S-C1-100](#) [ST-JL05-20P-C1-100](#) [82911466K](#) [ESLM03200](#) [192991-0087](#) [192900-0570](#) [ELFH07251](#) [44-104-10003-02](#) [T3P16FC3LZ](#)
[ST-JL05-16S-C2-3500](#) [ZP-4016-10NF](#) [CONT-JL05-12P-C1-10](#) [RM20M12G8D28](#) [031-50676](#) [12115010110](#) [RJFTVC2MG](#) [CAP-](#)
[DACMDPC2](#) [031-50675-002](#) [CAP-DD1FDPC2](#)