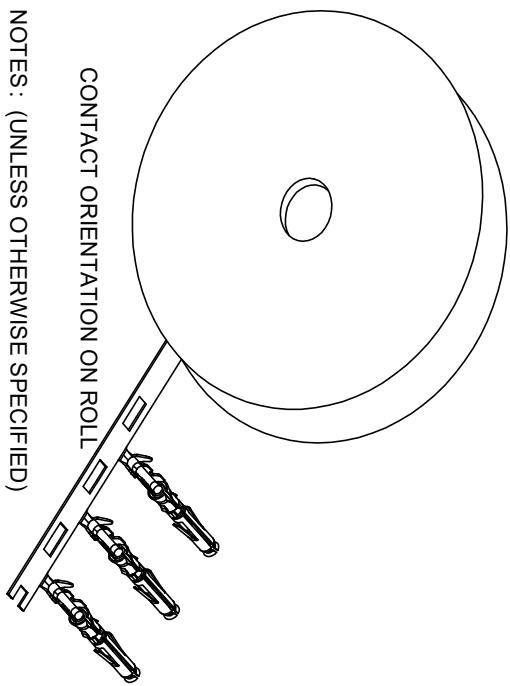
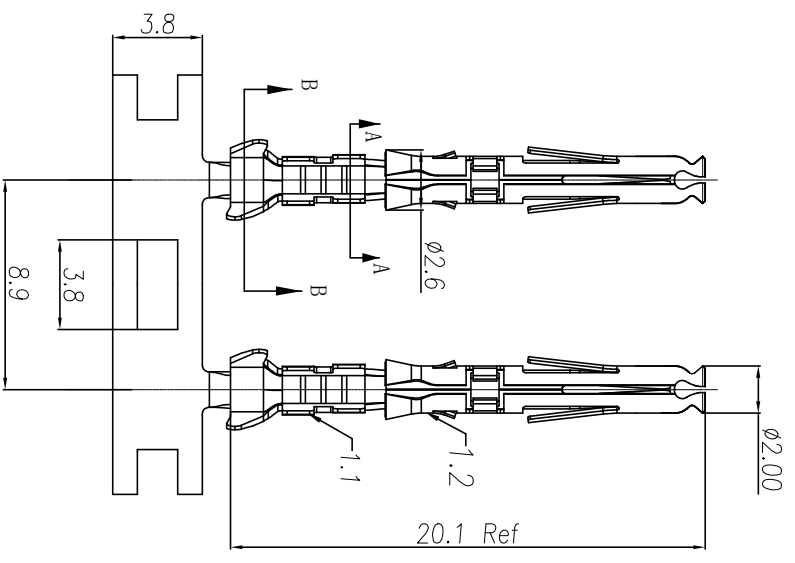
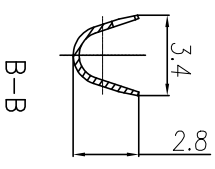
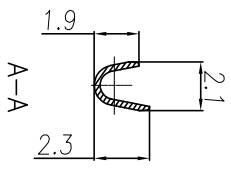


REVISIONS				
REV	ECO	DESCRIPTION	DATE	BY APPR
B1	-	RELEASED DRAWING	JAN-18-2014	ARROW TOMMY
B2	-	CHANGE HAND CRIMPER	Nov-8-19	Flan Tommy



- NOTES: (UNLESS OTHERWISE SPECIFIED)
- MATERIAL:
    - CONTACT BODY: COPPER ALLOY.
    - OUTER SPRING: STAINLESS STEEL.
  - SPECIFICATIONS:
    - CURRENT RATING: 5A MAX.
    - TERMINATION TYPE: CRIMPING.
    - WIRE RANGE: 22~20AWG.
    - WIRE INSULATION DIA(MAX):  $\varnothing 2.6\text{mm}$ .
  - ROHS COMPLIANT.
  - ALL DIMENSIONS ARE FOR REFERENCE USE ONLY.
5. AVAILABLE TOOLS:
- HAND CRIMPER: MFX-3958 <sup>(B2)</sup>
  - CRIMP APPLICATOR: MFX-3957.
  - EXTRACTION TOOL: QXRT20.



P/N	CONTACT PLATING(MATING AREA)
SS20W1T	TIN PLATING OVER NICKEL.
SS20W1F	GOLD FLASH PLATING OVER NICKEL.
SS20W1G10	10 $\mu$ "GOLD PLATING OVER NICKEL.
SS20W1G15	15 $\mu$ "GOLD PLATING OVER NICKEL.
SS20W1G30	30 $\mu$ "GOLD PLATING OVER NICKEL.

QUANTITY	PART NUMBER	DESCRIPTION	ITEM
<b>MATERIALS LIST</b>			
UNLESS OTHERWISE SPECIFIED			
1) All dimensions are in millimeters.			
2) Tolerances are as follows:			
1 Pt. DEC 40-90 Fractions 1/164			
3 Pt. DEC 20-08 Fractions 1/164			
3) Note reference = $\Delta$			
MATERIAL SPECIFICATIONS		CUSTOMER: <b>Tommy</b> <b>Nov-8-19</b>	
PROCESS SPECIFICATIONS		THE DRAWING IS SUPPLEMENTED BY THE SPECIFICATIONS AND PERFORMANCE DATA OF THE MANUFACTURING CORPORATION. NO RIGHTS OF REPRODUCTION ARE AWARDED. ALL MANUFACTURING VARIATIONS	
NEXT ASBY:		SCALE: NONE	
		SIZE TYPE: <b>B</b> <b>C-</b>	
		DWG NO: <b>SS20W1XX</b>	
		REVISION: <b>B2</b>	
		SHEET 1 OF 1	

**Amphenol**

Sine Systems - www.amphenol-sine.com  
44724 Montley Drive  
Clinton Township, MI 48038

ECO-MATE SOCKET CONTACT,  
STAMPED, 20-22AWG, SIZE 20

## X-ON Electronics

Largest Supplier of Electrical and Electronic Components

*Click to view similar products for [Standard Circular Contacts](#) category:*

*Click to view products by [Amphenol](#) manufacturer:*

Other Similar products are found below :

[RC16M23J](#) [133780-1](#) [RM20M13D28](#) [RM24M9D28](#) [MS3474W10-6P L/C](#) [164-901-CD](#) [EN3545007SCE](#) [BV002BSQ20049CZ](#)  
[BV002SSQ160404CZ](#) [1900ND05S1B00B](#) [192900-0061](#) [192900-0575](#) [166566-1](#) [1900ND04S1X00D](#) [192900-0058](#) [ST-JL05-16S-C3-100](#)  
[ST-JL05-20S-C1-100](#) [ST-JL05-20S-C2-100](#) [T01-CRIMP-S03](#) [APK-SA16A07-002](#) [CONT-JL05-08S-C2-10](#) [RC16M-23T](#) [RFD26L-1D28](#)  
[BV002ASJ16049CW](#) [JN1-22-20S-R-PKG100](#) [031-50565](#) [ELFH08251](#) [SJS861301M](#) [ST-JL05-16S-C1-100](#) [ST-JL05-20P-C1-100](#) [82911466K](#)  
[ESLM03200](#) [192991-0087](#) [192900-0570](#) [ELFH07251](#) [44-104-10003-02](#) [T3P16FC3LZ](#) [ST-JL05-16S-C2-3500](#) [ZP-4016-10NF](#) [CONT-JL05-](#)  
[12P-C1-10](#) [RM20M12G8D28](#) [031-50676](#) [12115010110](#) [RJFTVC2MG](#) [CAP-DACMDPC2](#) [031-50675-002](#) [CAP-DD1FDPC2](#) [CAP-](#)  
[DACMDPC1](#) [031-50966-010](#) [ASSP-10-F-A-C-SA](#)