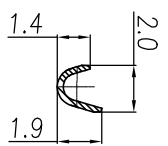
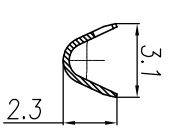
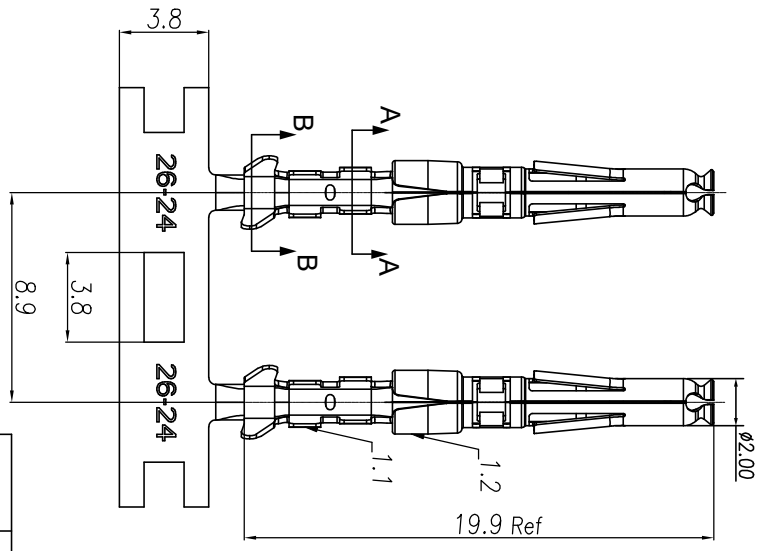
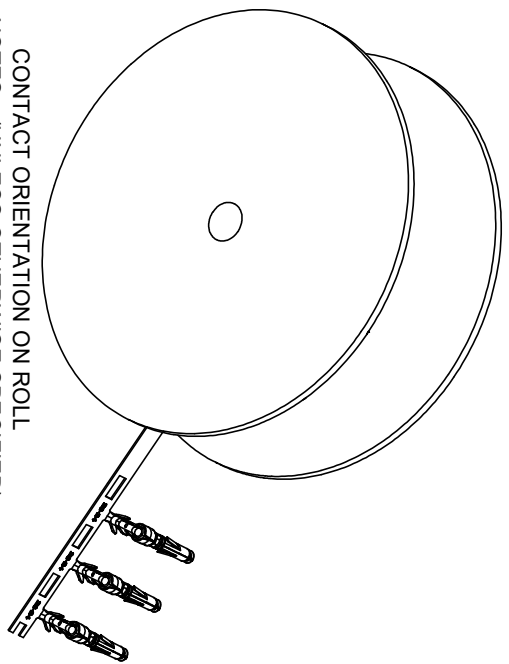


REVISIONS				
REV	ECO	DESCRIPTION	DATE	BY APPR
A1	-	RELEASED DRAWING	Nov-9-17	Rookie Tommy
A2	-	ADD THE GS PART NUMBER	Jan-28-19	Blink Tommy
A3	-	CHANGE HAND CRIMPER	Nov-8-19	Flan Tommy



- CONTACT ORIENTATION ON ROLL
 NOTES: (UNLESS OTHERWISE SPECIFIED)
- MATERIAL:
 - CONTACT BODY: COPPER ALLOY.
 - OUTER SPRING: STAINLESS STEEL.
 - SPECIFICATIONS:
 - CURRENT RATING: 5A MAX.
 - TERMINATION TYPE: CRIMPING.
 - WIRE RANGE: 26~24AWG.
 - WIRE INSULATION DIA(MAX): Ø2.2mm.
 - ROHS COMPLIANT.
 - ALL DIMENSIONS ARE FOR REFERENCE USE ONLY.
 - AVAILABLE TOOLS:
 - HAND CRIMPER: MFX-3958. A3
 - CRIMP APPLICATOR: MFX-3957.
 - EXTRACTION TOOL: QXRT20.

P/N	CONTACT PLATING(MATING AREA)
SS24W2T	TIN PLATING OVER NICKEL.
SS24W2N	NICKEL PLATING OVER COPPERIZE.
SS24W2F	GOLD FLASH PLATING OVER NICKEL.
SS24W2G5	5µ" GOLD PLATING OVER NICKEL.
SS24W2G10	10µ" GOLD PLATING OVER NICKEL.
SS24W2G15	15µ" GOLD PLATING OVER NICKEL.
SS24W2G30	30µ" GOLD PLATING OVER NICKEL.

QUANTITY	PART NUMBER	DESCRIPTION	ITEM
		MATERIALS LIST	
<p>UNLESS OTHERWISE SPECIFIED 1) All dimensions are in millimeters. 2) Tolerances are as follows: 1 Pt. DEC 40-30 Fractions 1/164 3 Pt. DEC 20-08 Angles 30° 3) Note reference = A</p>			
SIGNATURES		DATE	
DRAWN: Ril	Nov-8-19	CHECKED: Mih	Nov-8-19
ENGINEER: Tommy	Nov-8-19	APPROVE: Tommy	Nov-8-19
MATERIAL SPECIFICATIONS		CUSTOMER:	
PROCESS SPECIFICATIONS		ECO-MATE SOCKET CONTACT, STAMPED, 24-26AWG, SIZE 20	
NEXT ASBY:		SCALE: NONE	

Amphenol
 Sine Systems - www.amphenol-sine.com
 44724 Montey Drive
 Clinton Township, MI 48038

X-ON Electronics

Largest Supplier of Electrical and Electronic Components

Click to view similar products for [Standard Circular Contacts](#) category:

Click to view products by [Amphenol](#) manufacturer:

Other Similar products are found below :

[RC16M23J](#) [133780-1](#) [RM20M13D28](#) [RM24M9D28](#) [MS3474W10-6P L/C](#) [ELVP16100E](#) [164-901-CD](#) [EN3545007SCE](#)
[BV002BSQ20049CZ](#) [BV002SSQ160404CZ](#) [1900ND05S1B00B](#) [192900-0061](#) [192900-0575](#) [192900-0718](#) [166566-1](#) [1900ND04S1X00D](#)
[192900-0058](#) [192900-0309](#) [ST-JL05-16S-C3-100](#) [ST-JL05-20S-C1-100](#) [ST-JL05-20S-C2-100](#) [T01-CRIMP-S03](#) [APK-SA16A07-002](#) [CONT-](#)
[JL05-08S-C2-10](#) [RC16M-23T](#) [RFD26L-1D28](#) [BV002ASJ16049CW](#) [JN1-22-20S-R-PKG100](#) [031-50565](#) [ELFH08251](#) [SJS861301M](#) [ST-](#)
[JL05-16S-C1-100](#) [ST-JL05-20P-C1-100](#) [82911466K](#) [ESLM03200](#) [192991-0087](#) [192900-0570](#) [ELFH07251](#) [44-104-10003-02](#) [T3P16FC3LZ](#)
[ST-JL05-16S-C2-3500](#) [ZP-4016-10NF](#) [CONT-JL05-12P-C1-10](#) [RM20M12G8D28](#) [031-50676](#) [12115010110](#) [RJFTVC2MG](#) [CAP-](#)
[DACMDPC2](#) [031-50675-002](#) [CAP-DD1FDPC2](#)