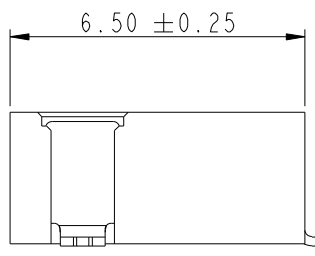
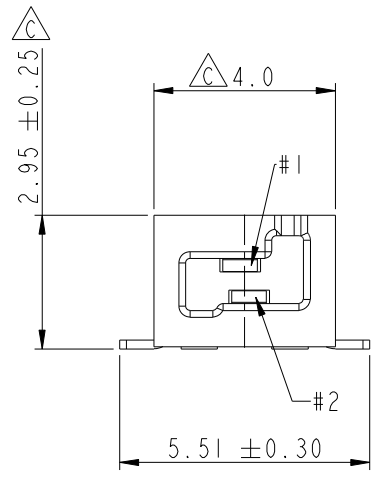
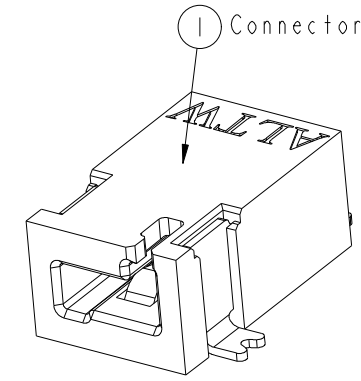
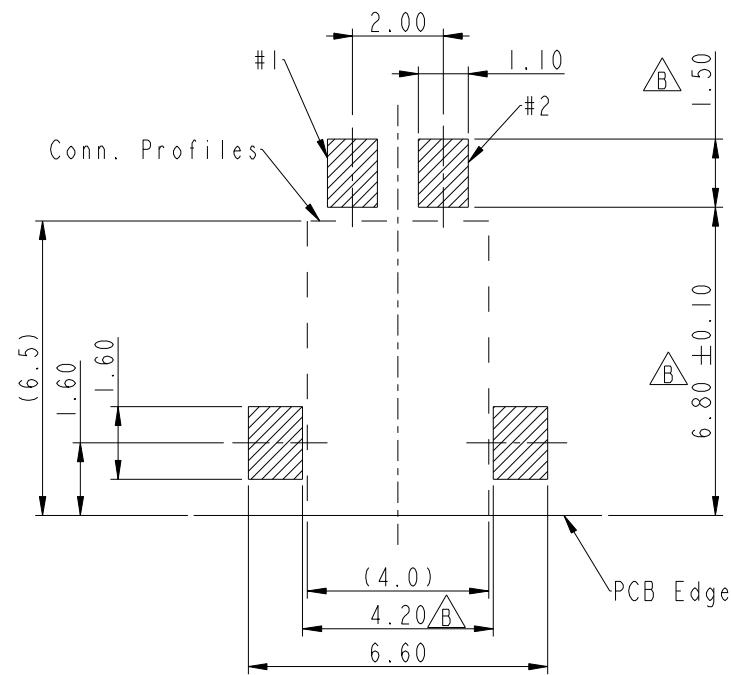
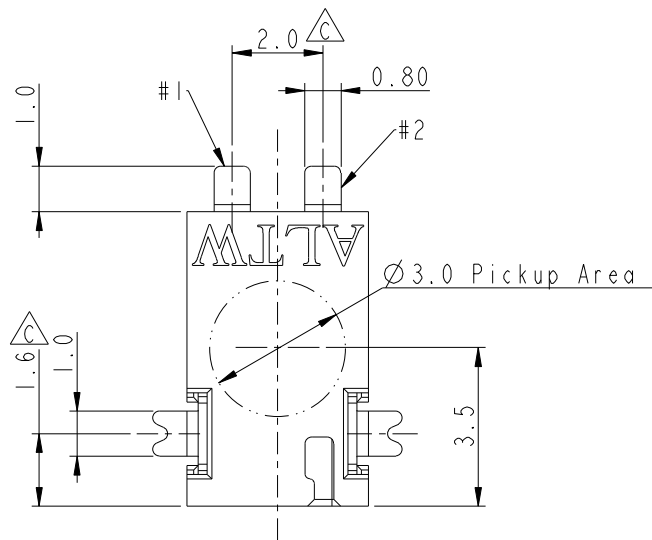
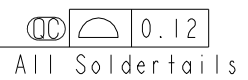
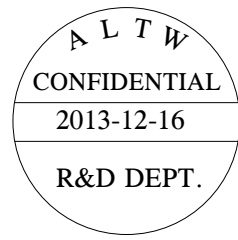


THIS DOCUMENT IS SUBJECT TO CHANGE WITHOUT NOTICE. IT IS CONFIDENTIAL AND A PROPERTY OF AMPHENOL LTW. DISCLOSURE TO THIRD PARTY HAS TO BE AUTHORIZED BY AMPHENOL LTW.

REV.	ECN NO.	DATE	SIGN	DESCRIPTION
A	Initial Release	2012-12-06	Fisher	Initial Release
B	LEN1310205	2013-01-11	Fisher	Change Plating and PCB Layout
C	LE313C0107	2013-12-16	Fisher	Change Plating and Dimensions



RECOMMENDED P.C.B. LAYOUT  
GENERAL TOLERANCE IS ±0.05



- Notes:
- \*  $\text{Ⓞ}$  Important Dimension To Check.
  - \* Housing: High temperature thermoplastic. UL94V-0, color is Natural white.
  - \* Terminal: Copper Alloy, Gold Plated on contact area. Tin plated on solder tails.
  - \* Solder Peg: Copper Alloy, Tin plated over Nickel.

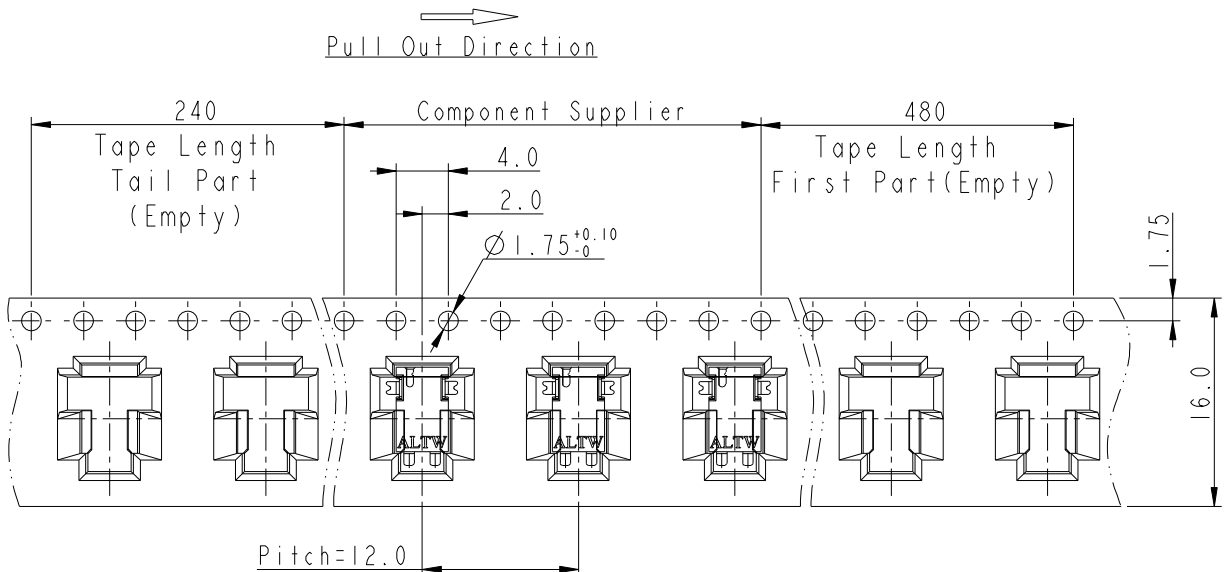
UNIT: mm	$\text{⊕}$	$\text{⊕}$
TOLERANCE	.X	±0.25
	.XX	±0.1
	.XXX	±0.05
	ANGLES	±1°

TITLE SSL-1.1 DC JACK CONNECTOR 2-POS. W/O POST, SMT TYPE			
SCALE	SIZE	SHEET	OF
6:1	A4	1	2
REV.	WC-REV.	$\text{Ⓞ}$ : Inspection item	
C	.0		

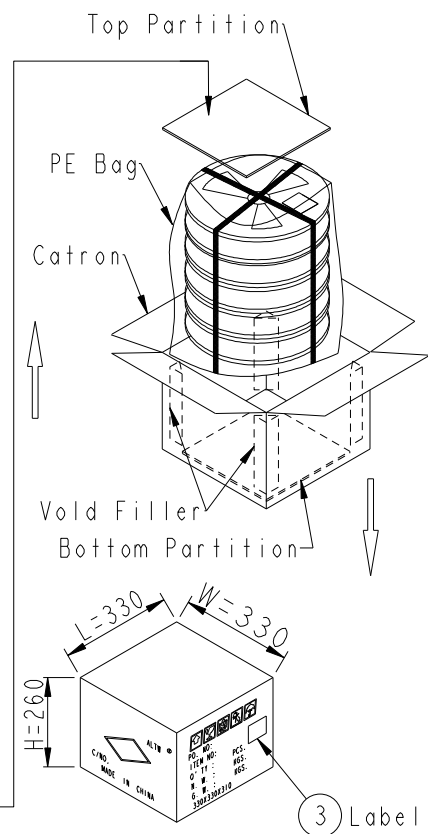
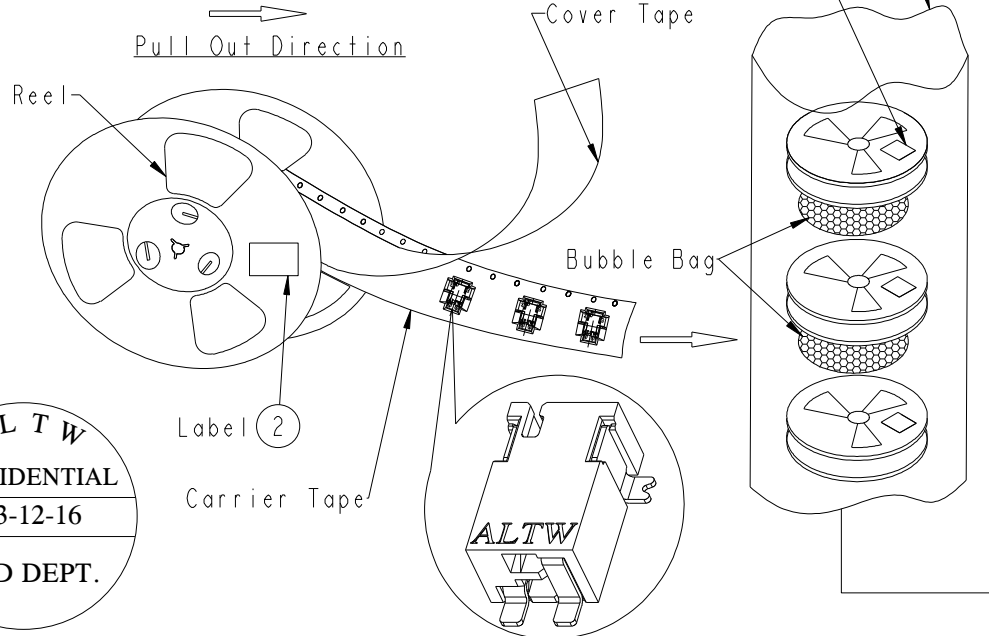
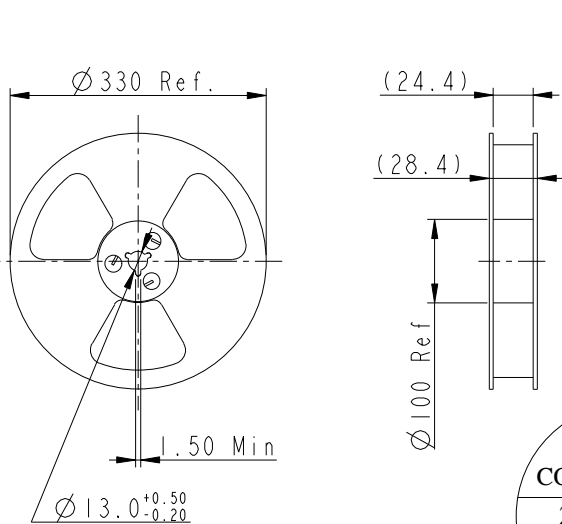
**Amphenol LTW**  
安費諾亮泰企業股份有限公司

ITEM NO	SSL11-J2D00-000001	DRAWN BY	Fisher_Wang	DATE	2013-12-16
DWG NO	SSL11-J2D00-000001	CHECKED BY	Ivan_Lin	DATE	2013-12-16
CUSTOMER	ALTW	APPROVED BY	Kevin_Hu	DATE	2013-12-16

THIS DOCUMENT IS SUBJECT TO CHANGE WITHOUT NOTICE. IT IS CONFIDENTIAL AND A PROPERTY OF Amphenol LTW. DISCLOSURE TO THIRD PARTY HAS TO BE AUTHORIZED BY Amphenol LTW.



- MATERIALS**
- Carrier Tape: Polystyren (PS)
  - Cover Tape: Polystyren (PS)
  - Reel: Polystyren (PS)
- QUANTITY**
- 1200Pcs Per Reel
  - 8 Reel Per Carton (9600Pcs/Carton)
  - Reference Standard: EIA-481-D
  - Net Weight: 1.2Kg/Carton.
  - Gross Weight: 6.0Kg/Carton.



**ALTW**  
**CONFIDENTIAL**  
 2013-12-16  
**R&D DEPT.**

**UNIT:mm**

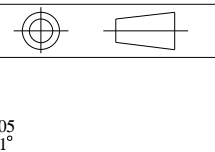
TOLERANCE

.X ±0.25

.XX ±0.1

.XXX ±0.05

ANGLES ±1°



TITLE			
SSL-1.1 DC JACK CONNECTOR 2-POS. W/O POST, SMT TYPE			
SCALE	SIZE	SHEET	
5:1	A4	2 OF 2	
REV.	WC-REV.	QC: Inspection item	
C	A.8		

**Amphenol LTW**  
**安費諾亮泰企業股份有限公司**

ITEM NO	SSL11-J2D00-000001
DWG NO	SSL11-J2D00-000001
CUSTOMER	ALTW

DRAWN BY	Fisher_Wang
CHECKED BY	Ivan_lin
APPROVED BY	Kevin_Hu

DATE	2013-12-16
DATE	2013-12-16
DATE	2013-12-16

## X-ON Electronics

Largest Supplier of Electrical and Electronic Components

*Click to view similar products for [Power to the Board](#) category:*

*Click to view products by [Amphenol](#) manufacturer:*

Other Similar products are found below :

[10131318-08512GRLF](#) [6450171-4](#) [6450552-7](#) [6600323-8](#) [6643429-1](#) [6646040-2](#) [6651939-1](#) [6766604-1](#) [120959-1](#) [1393557-2](#) [1393532-2](#)  
[1393532-3](#) [1393532-4](#) [1393557-1](#) [1600812-5](#) [1-6450861-2](#) [1645595-1](#) [1743490-1](#) [1744132-7](#) [1761122-1](#) [1766169-1](#) [1766250-1](#) [18362](#)  
[1892109-1](#) [1-967627-6](#) [2226808-1](#) [2-6450860-5](#) [2-6450860-6](#) [2-6450870-0](#) [93003-0502](#) [953552-1](#) [1-6450161-4](#) [1-6450850-6](#) [1645526-2](#) [1-](#)  
[6600130-0](#) [1743419-1](#) [1766150-1](#) [2005243-2](#) [211110-1](#) [2-6600130-2](#) [TE34-12-16P-F0](#) [51700-10201602AALF](#) [5-6450830-6](#) [5646956-4](#)  
[36662-0005](#) [40585-3000](#) [4-6450830-9](#) [4-6600333-3](#) [51142-0214](#) [10125416-4050LF](#)