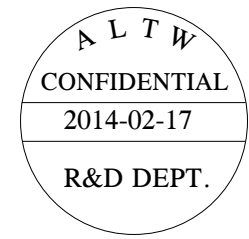
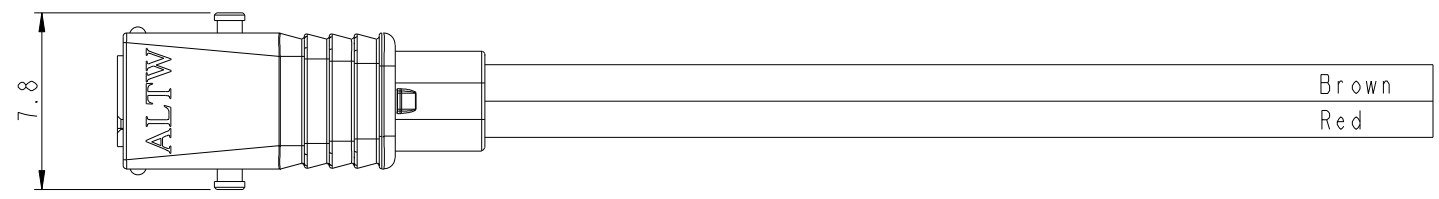
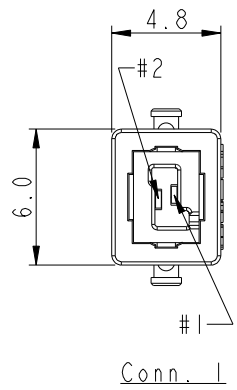
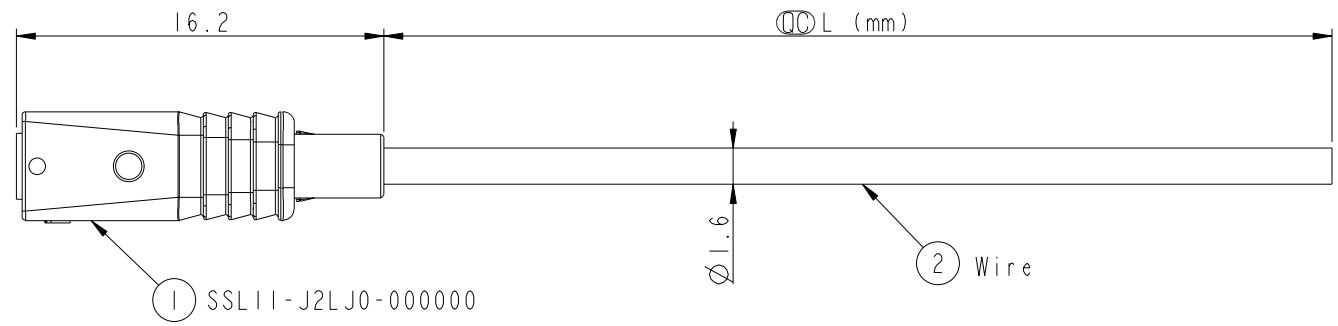


THIS DOCUMENT IS SUBJECT TO CHANGE WITHOUT NOTICE. IT IS CONFIDENTIAL AND A PROPERTY OF AMPHENOL LTW. DISCLOSURE TO THIRD PARTY HAS TO BE AUTHORIZED BY AMPHENOL LTW.

| | | | | |
|------|-----------------|------------|--------|-----------------|
| REV. | ECN NO. | DATE | SIGN | DESCRIPTION |
| A | Initial Release | 2014-02-17 | Fisher | Initial Release |



SSL11-J2LJ0-022AXX

- 01: L=100±20 mm.
- 02: L=200±20 mm.
- 04: L=400±25 mm.
- Standard Length is 400mm
- Wire Length Range(L): 100-9900mm
- 22: 22AWG
- LOCK&LATCH OPTION
- 0: W/O LOCK

- Notes:
- * (QC) Important Dimensions To Check.
 - * Housing: Thermoplastic, UL94V-0, Natural White.
 - * Terminal: Copper Alloy, Gold Plated.
 - * Hood: Thermoplastic, UL94V-0, Natural White.
 - * SR Mold: PP, UL94V-0, Natural White.
 - * Wire: UL1430 22AWG, Brown/Red.
 - * Wire Length Tolerance: ±5%mm.

| | | |
|---------|------------|---|
| 2 | Red | 紅 |
| 1 | Brown | 棕 |
| Conn. 1 | Wire Color | |
| Pin Out | | |

| | | |
|-----------|-------|--|
| UNIT:mm | | |
| TOLERANCE | | |
| .X | ±0.25 | |
| .XX | ±0.1 | |
| .XXX | ±0.05 | |
| ANGLES | ±1° | |

| | | |
|--|----------------|-----------------------|
| TITLE SSL11.1 WIRE ASS'Y, W/O LOCK 2-POS, JACK TO OPEN | | |
| SCALE 3:1 | SIZE A4 | SHEET 1 OF 1 |
| REV. A | WC-REV. A.1 | (QC): Inspection item |

Amphenol LTW
安費諾亮泰企業股份有限公司

| | | |
|------------------------------|-------------------------|--------------------|
| ITEM NO | DRAWN BY Fisher_Wang | DATE 2014-02-17 |
| DWG NO SSL11-J2LJ0-022AXX | CHECKED BY Ivan_Lin | DATE 2014-02-17 |
| CUSTOMER ALTW | APPROVED BY Kevin_Hu | DATE 2014-02-17 |

X-ON Electronics

Largest Supplier of Electrical and Electronic Components

Click to view similar products for [Lighting Cables](#) category:

Click to view products by [Amphenol](#) manufacturer:

Other Similar products are found below :

[96CB-E0605HAA1](#) [ZWF-915-J](#) [96CB-E1005PCB3](#) [68801-4124](#) [68801-4752](#) [68801-4850](#) [ZFS-CH144-12I](#) [96CB-E0405PCA3](#) [96CB-E0405PIC3](#) [96CB-E0605HAB1](#) [01SCNSCN-22L150](#) [01SEHSEH-22300](#) [01SPHSPH-26L150](#) [01SPHSPH-26L300](#) [01SVHSVH-20L300](#) [01SXHSXH-26L300](#) [01SZHSZH-30L150](#) [01SPHSPH-26001L150](#) [01SXHSXH-26L150](#) [01SZESZE-26L150](#) [02XSRXSR36L100](#) [02XSRXSR36L50](#) [04XSRXSR36L100](#) [CNXBE4218](#) [1-2058943-7](#) [1-2058943-8](#) [1-2083031-6](#) [1-2083032-6](#) [1-2083075-2](#) [1-2083080-1](#) [68801-4648](#) [CNXBE4112](#) [CNX310-120-X4124](#) [CNX_C_E_4_2_08](#) [CNXBE4118](#) [CNXBE4104](#) [CNX310220](#) [CNX_310_012_E_4_1_12](#) [2-2083073-3](#) [2-2083074-3](#) [2-2083075-3](#) [SSP-CA12](#) [2-2083030-6](#) [2702306](#) [2702307](#) [2-2083032-2](#) [1-2083076-3](#) [SSL11-J6LJ0-022A04](#) [9-2834003-1](#) [1-2083029-2](#)