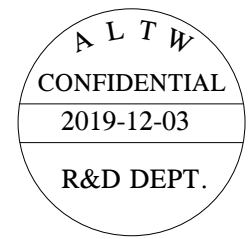
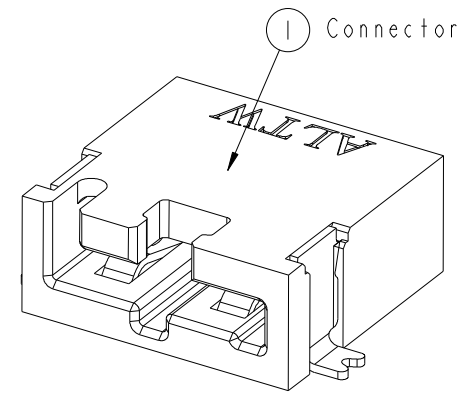
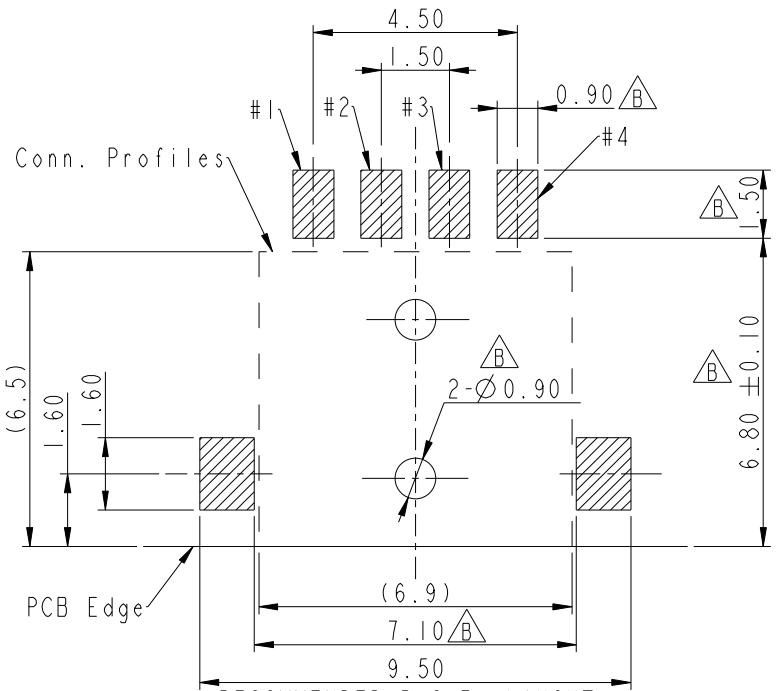
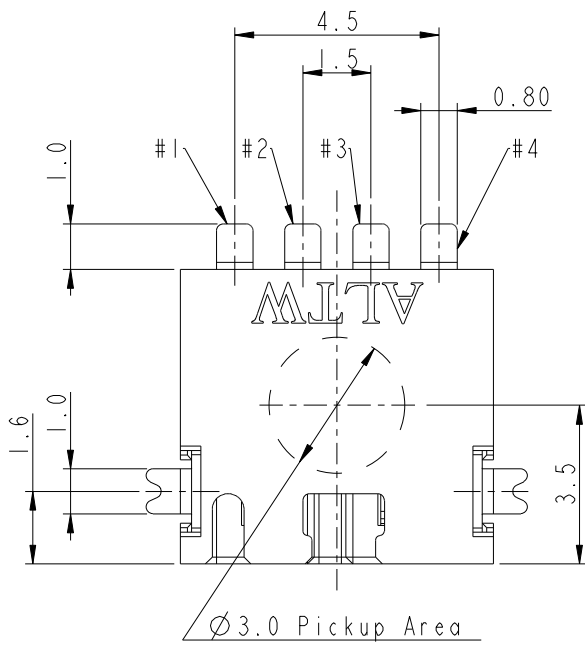
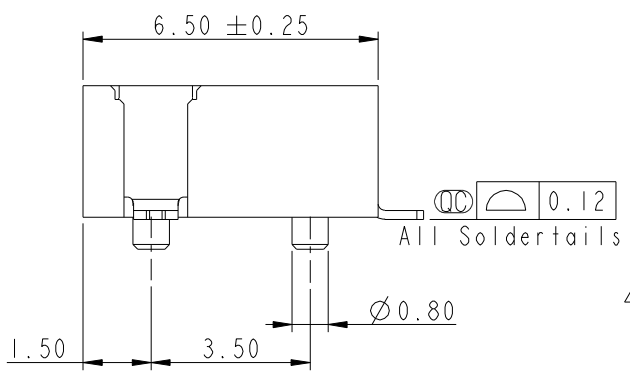
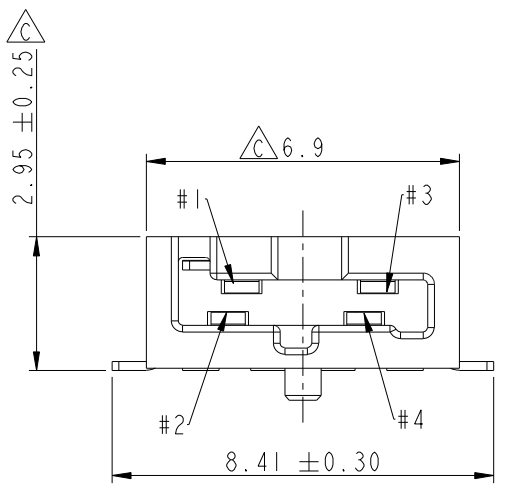


THIS DOCUMENT IS SUBJECT TO CHANGE WITHOUT NOTICE. IT IS CONFIDENTIAL AND A PROPERTY OF Amphenol LTW. DISCLOSURE TO THIRD PARTY HAS TO BE AUTHORIZED BY Amphenol LTW.

REV.	ECN NO.	DATE	SIGN	DESCRIPTION
C	LE313C0105	2013-12-16	Fisher	Change Plating and Package
D	CI91205	2019-07-29	NianPing Yu	Add UL label
E	CI92063	2019-12-03	NianPing Yu	△EXI



RECOMMENDED P.C.B. LAYOUT  
GENERAL TOLERANCE IS ±0.05



- Notes:
- \* Important Dimension To Check.
  - \* Housing: High temperature thermoplastic. UL94V-0, color is Natural white.
  - \* Terminal: Copper Alloy, Gold Plated on contact area. Tin plated on solder tails.
  - \* Solder Peg: Copper Alloy, Tin plated over Nickel.

UNIT: mm

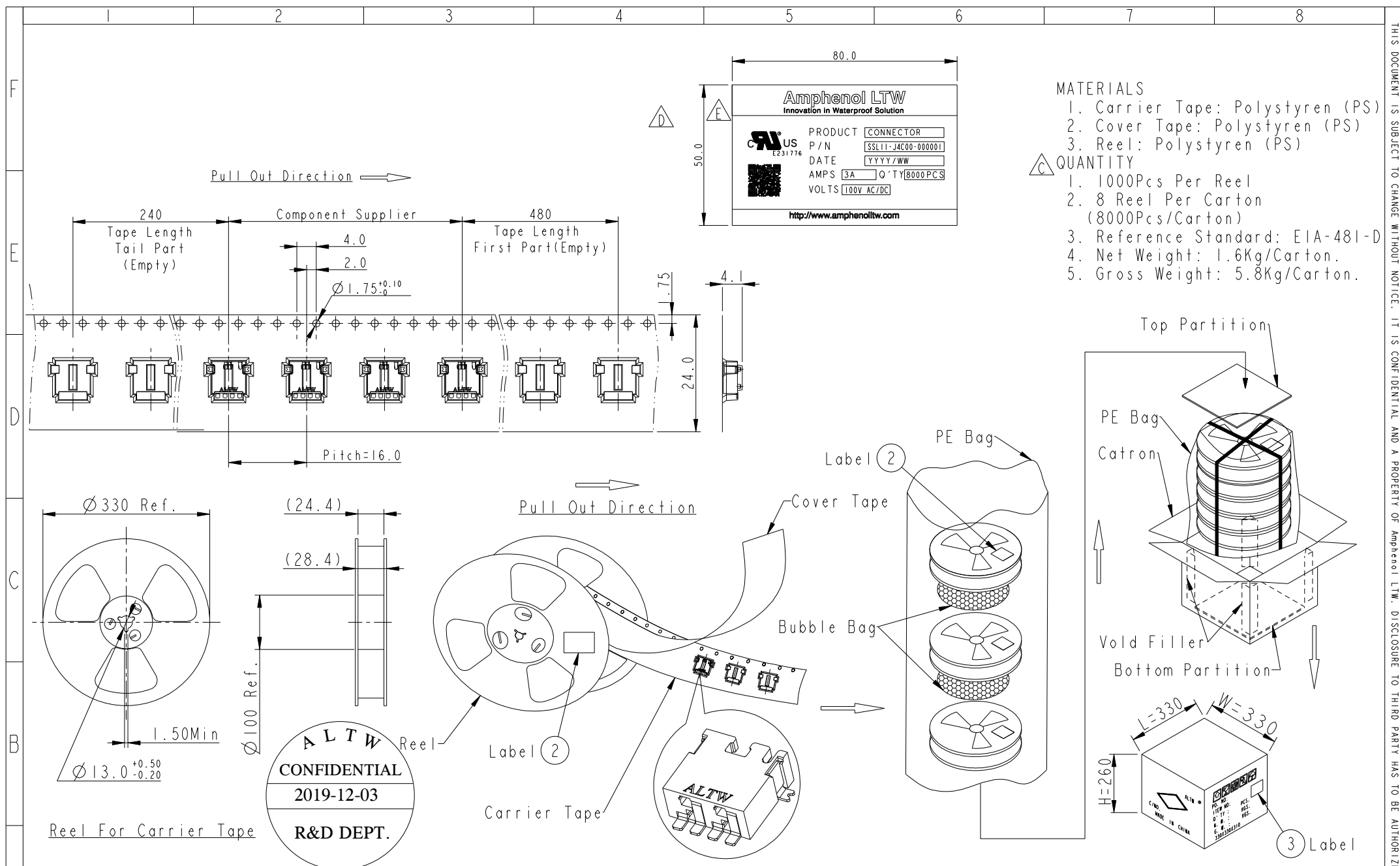
TOLERANCE	
.X	±0.25
.XX	±0.1
.XXX	±0.05
ANGLES	±1°


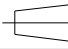
TITLE SSL-1.1 DC JACK CONNECTOR 4-POS. WITH POST, SMT TYPE			
SCALE	6:1	SIZE	A4
REV.	E	WC-REV.	C.3
SHEET 1 OF 2		QC: Inspection item	

**Amphenol LTW**  
安費諾亮泰企業股份有限公司

ITEM NO.	SSL11-J4C00-000001	DRAWN BY	NianPing Yu	DATE	2019-07-29
DWG NO.	SSL11-J4C00-000001	CHECKED BY	Fisher Wang	DATE	2019-07-29
CUSTOMER	ALTW	APPROVED BY	Max Yang	DATE	2019-07-29

THIS DOCUMENT IS SUBJECT TO CHANGE WITHOUT NOTICE. IT IS CONFIDENTIAL AND A PROPERTY OF Amphenol LTW. DISCLOSURE TO THIRD PARTY HAS TO BE AUTHORIZED BY Amphenol LTW.



UNIT:mm	 	TITLE		ITEM NO		DRAWN BY		DATE	
		SSL-1.1 DC JACK CONNECTOR 4-POS. WITH POST, SMT TYPE		SSL11-J4C00-000001		NianPing Yu		2019-07-29	
TOLERANCE .X ±0.25 .XX ±0.1 .XXX ±0.05 ANGLES ±1°		SCALE	SIZE	SHEET	DWG NO	CHECKED BY		DATE	
		5:1	A4	2 OF 2	SSL11-J4C00-000001	Fisher Wang		2019-07-29	
		REV.	WC-REV.	QC: Inspection item	CUSTOMER		APPROVED BY		DATE
		E	C.3		ALTW		Max Yang		2019-07-29

**Amphenol LTW**  
 安費諾亮泰企業股份有限公司

## X-ON Electronics

Largest Supplier of Electrical and Electronic Components

*Click to view similar products for [Lighting Connectors](#) category:*

*Click to view products by [Amphenol](#) manufacturer:*

Other Similar products are found below :

[21061-9](#) [293300-7](#) [2106117-2](#) [293660-5](#) [293700-2](#) [CNX\\_H03\\_NTP](#) [30-9767-BU](#) [3-21030-1](#) [ZCH-110-RGB-I](#) [503471-0290](#) [ES5P09K4F2](#)  
[CNXH02NTP](#) [ZCH-110-RGB-J](#) [217-0716-200](#) [192992-0057](#) [1954563-1](#) [217-3030-000](#) [217-3032-000](#) [237-0734-003](#) [DTS24W25-20PN-LC](#)  
[1-2213614-2](#) [2834049-3](#) [ES9S002SZZ](#) [2834049-2](#) [2-2834067-3](#) [1-293657-2](#) [2834049-1](#) [293699-2](#) [293701-3](#) [1-2213614-3](#) [2834036-1](#)  
[2834037-1](#) [2213614-3](#) [2307526-2](#) [2-2106124-3](#) [2-2834068-3](#) [FLS2SC4001BP](#) [FLSC80352000](#) [FLSC80354000](#) [FLSC80353000](#) [FLSSB8002](#)  
[FLSSB8001](#) [FLSC80351000](#) [FLSSB4001](#) [FLSC80504000](#) [FLSC80502000](#) [FLSC80501000](#) [FLSSR4001](#) [X3700WM-02HF-LPSN](#) [FLA-](#)  
[R4142-30](#)