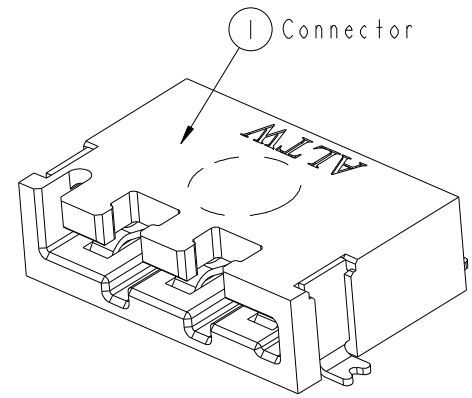
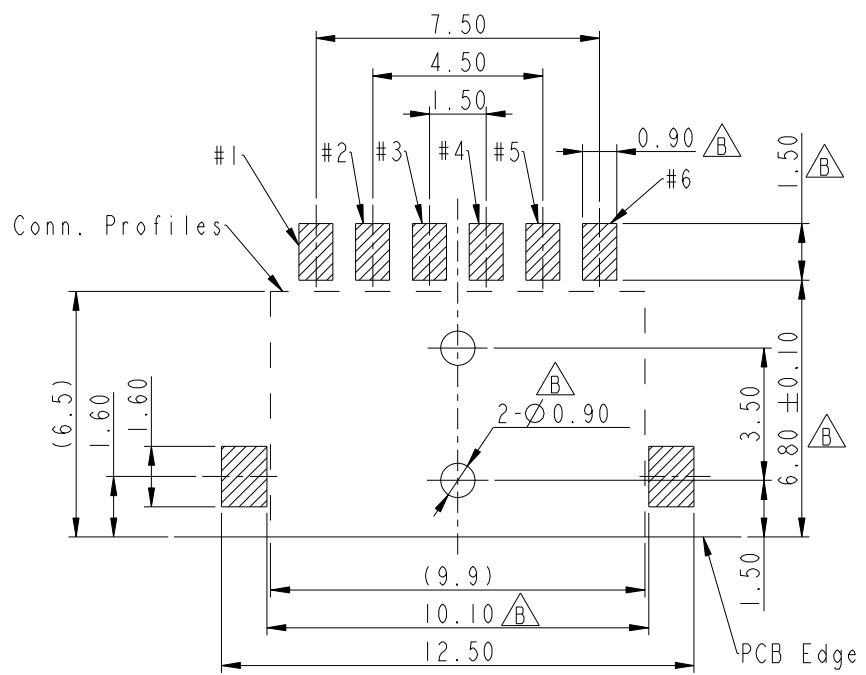
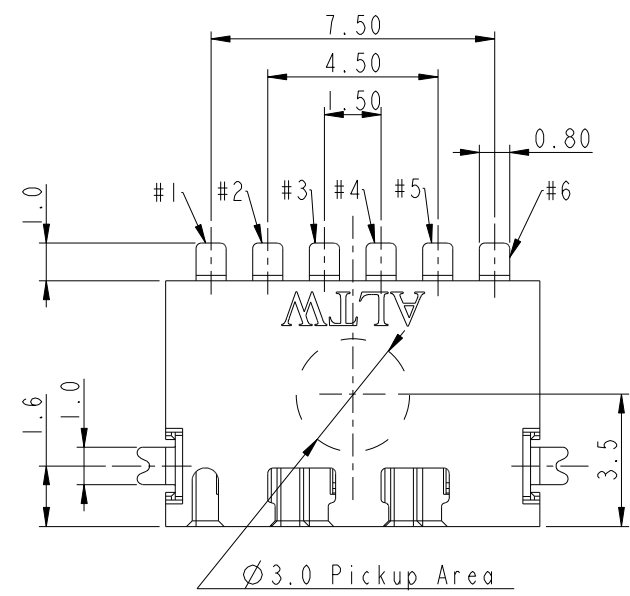
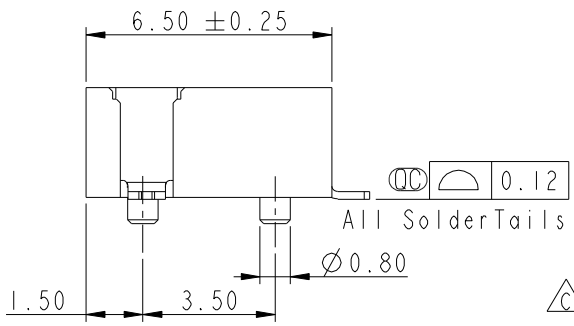
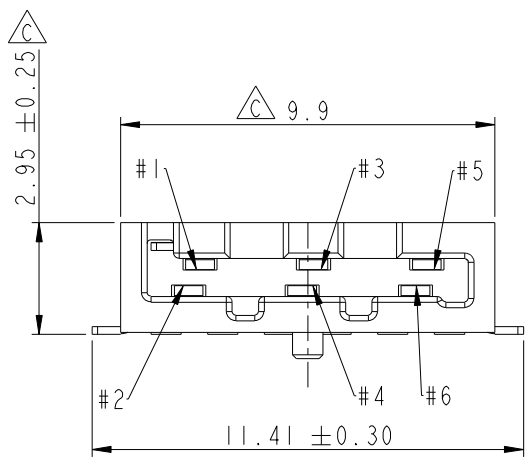
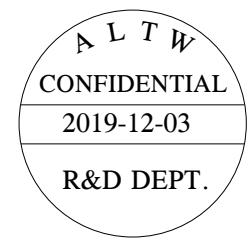


THIS DOCUMENT IS SUBJECT TO CHANGE WITHOUT NOTICE. IT IS CONFIDENTIAL AND A PROPERTY OF Amphenol LTW. DISCLOSURE TO THIRD PARTY HAS TO BE AUTHORIZED BY Amphenol LTW.

REV.	ECN NO.	DATE	SIGN	DESCRIPTION
C	LE313C0106	2013-12-16	Fisher	Change Plating and Package
D	C191496	2019-08-29	NianPing Yu	Add UL Label
E	C192063	2019-12-03	NianPing Yu	△E, XI



RECOMMENDED P.C.B. LAYOUT  
GENERAL TOLERANCE IS ±0.05



- Notes:
- \* Important Dimension To Check.
  - \* Housing: High temperature thermoplastic. UL94V-0, color is Natural white.
  - \* Terminal: Copper Alloy, Gold Plated on contact area. Tin plated on solder tails.
  - \* Solder Peg: Copper Alloy, Tin plated over Nickel.

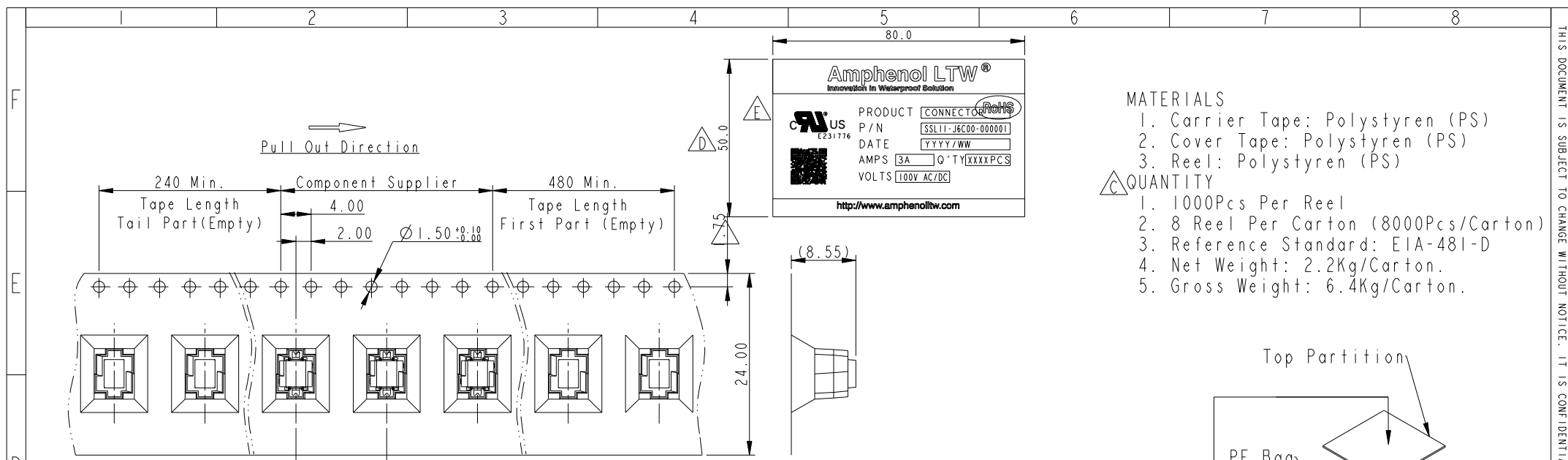
UNIT: mm		
TOLERANCE		
.X	±0.25	
.XX	±0.1	
.XXX	±0.05	
ANGLES	±1°	

TITLE SSL-1.1 DC JACK CONNECTOR 6-POS. WITH POST, SMT TYPE			
SCALE	SIZE	SHEET	OF
5:1	A4	1	2
REV.	WC-REV.	QC: Inspection item	
E	C.3		

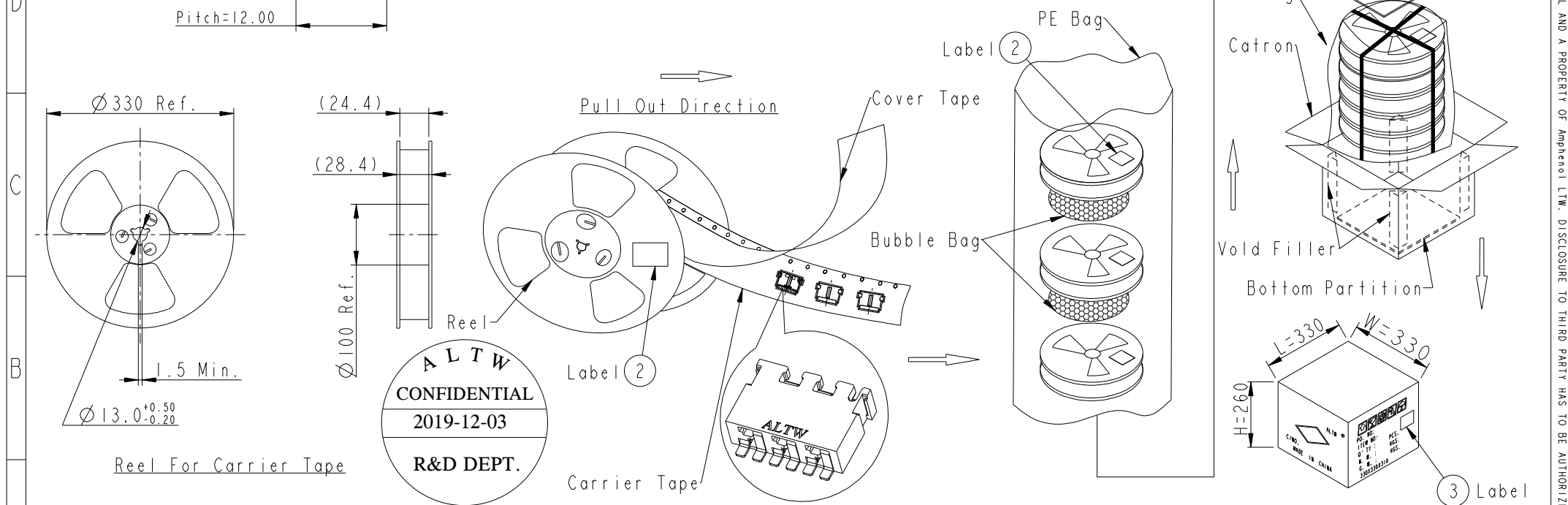
**Amphenol LTW**  
安費諾亮泰企業股份有限公司

ITEM NO.	SSL11-J6C00-000001	DRAWN BY	NianPing Yu	DATE	2019-08-29
DWG NO.	SSL11-J6C00-000001	CHECKED BY	Fisher Wang	DATE	2019-08-29
CUSTOMER	ALTW	APPROVED BY	Max Yang	DATE	2019-08-29

THIS DOCUMENT IS SUBJECT TO CHANGE WITHOUT NOTICE. IT IS CONFIDENTIAL AND A PROPERTY OF Amphenol LTW. DISCLOSURE TO THIRD PARTY HAS TO BE AUTHORIZED BY Amphenol LTW.



- MATERIALS**
- Carrier Tape: Polystyren (PS)
  - Cover Tape: Polystyren (PS)
  - Reel: Polystyren (PS)
- QUANTITY**
- 1000Pcs Per Reel
  - 8 Reel Per Carton (8000Pcs/Carton)
  - Reference Standard: EIA-481-D
  - Net Weight: 2.2Kg/Carton.
  - Gross Weight: 6.4Kg/Carton.



**ALTW**  
 CONFIDENTIAL  
 2019-12-03  
 R&D DEPT.

<b>UNIT:mm</b> TOLERANCE .X ±0.25 .XX ±0.1 .XXX ±0.05 ANGLES ±1°			<b>TITLE</b> SSL-1.1 DC JACK CONNECTOR 6-POS. WITH POST, SMT TYPE			<b>ITEM NO</b> SSL11-J6C00-000001	<b>DRAWN BY</b> NianPing Yu	<b>DATE</b> 2019-08-29
			<b>SCALE</b> 5:1	<b>SIZE</b> A4	<b>SHEET</b> 2 OF 2	<b>DWG NO</b> SSL11-J6C00-000001	<b>CHECKED BY</b> Fisher Wang	<b>DATE</b> 2019-08-29
<b>REV.</b> E	<b>WC-REV.</b> C.3	Inspection item	<b>Amphenol LTW</b> 安費諾亮泰企業股份有限公司			<b>CUSTOMER</b> ALTW	<b>APPROVED BY</b> Max Yang	<b>DATE</b> 2019-08-29

## X-ON Electronics

Largest Supplier of Electrical and Electronic Components

*Click to view similar products for [Lighting Connectors](#) category:*

*Click to view products by [Amphenol](#) manufacturer:*

Other Similar products are found below :

[21061-9](#) [293300-7](#) [2106117-2](#) [293660-5](#) [293700-2](#) [CNX\\_H03\\_NTP](#) [30-9767-BU](#) [3-21030-1](#) [ZCH-110-RGB-I](#) [503471-0290](#) [ES5P09K4F2](#)  
[CNXH02NTP](#) [ZCH-110-RGB-J](#) [217-0716-200](#) [192992-0057](#) [1954563-1](#) [217-3030-000](#) [217-3032-000](#) [237-0734-003](#) [DTS24W25-20PN-LC](#)  
[1-2213614-2](#) [2834049-3](#) [ES9S002SZZ](#) [2834049-2](#) [2-2834067-3](#) [1-293657-2](#) [2834049-1](#) [293699-2](#) [293701-3](#) [1-2213614-3](#) [2834036-1](#)  
[2834037-1](#) [2213614-3](#) [2307526-2](#) [2-2106124-3](#) [2-2834068-3](#) [FLS2SC4001BP](#) [FLSC80352000](#) [FLSC80354000](#) [FLSC80353000](#) [FLSSB8002](#)  
[FLSSB8001](#) [FLSC80351000](#) [FLSSB4001](#) [FLSC80504000](#) [FLSC80502000](#) [FLSC80501000](#) [FLSSR4001](#) [X3700WM-02HF-LPSN](#) [FLA-](#)  
[R4142-30](#)