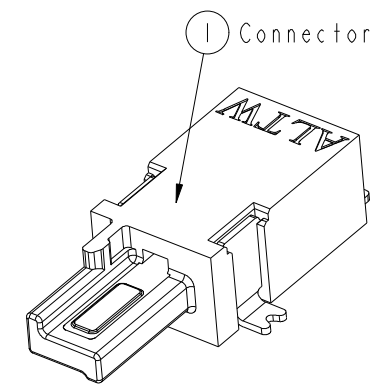
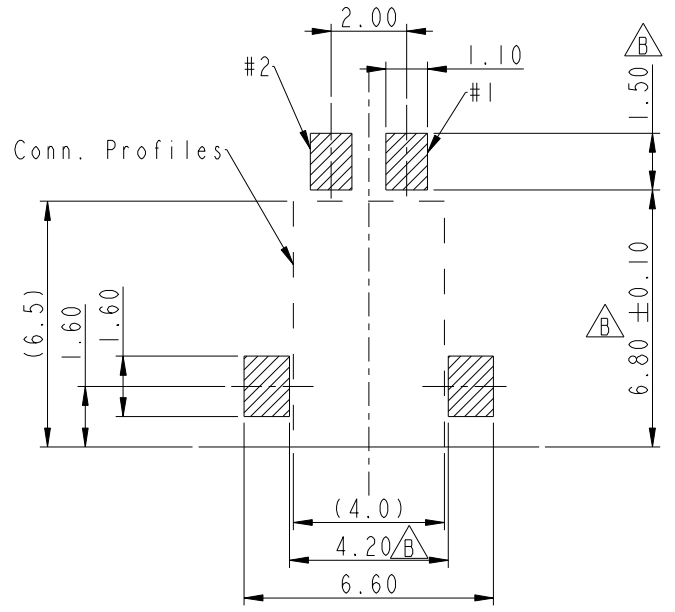
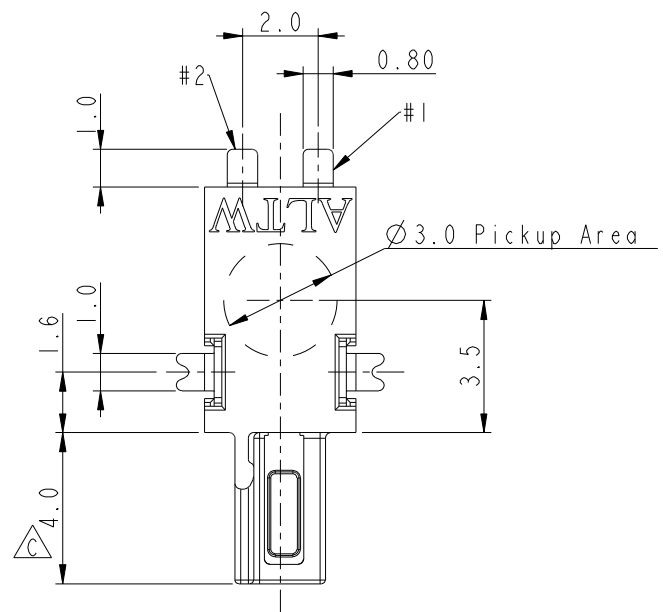
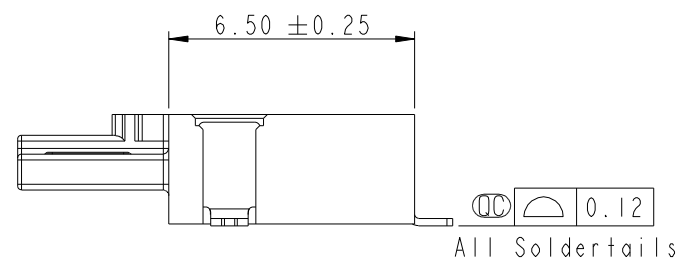
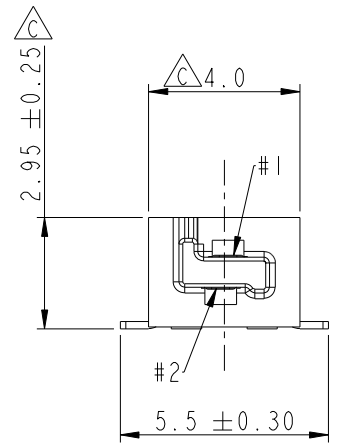
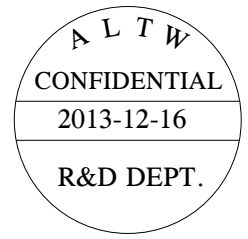


THIS DOCUMENT IS SUBJECT TO CHANGE WITHOUT NOTICE. IT IS CONFIDENTIAL AND A PROPERTY OF Amphenol LTW. DISCLOSURE TO THIRD PARTY HAS TO BE AUTHORIZED BY Amphenol LTW.

REV.	ECN NO.	DATE	SIGN	DESCRIPTION
A	Initial Release	2012-12-06	Fisher	Initial Release
B	LEN1310199	2013-02-20	Fisher	Change Plating and PCB Layout
C	LE313C0099	2013-12-16	Fisher	Change Plating and Dimensions



RECOMMENDED P.C.B. LAYOUT
GENERAL TOLERANCE IS ±0.05



- Notes:
- * CC Important Dimension To Check.
 - * Housing: High temperature thermoplastic. UL94V-0, color is Natural white.
 - * Terminal: Copper Alloy, Gold Plated on contact area. Tin plated on solder tails.
 - * Solder Peg: Copper Alloy, Tin plated over Nickel.

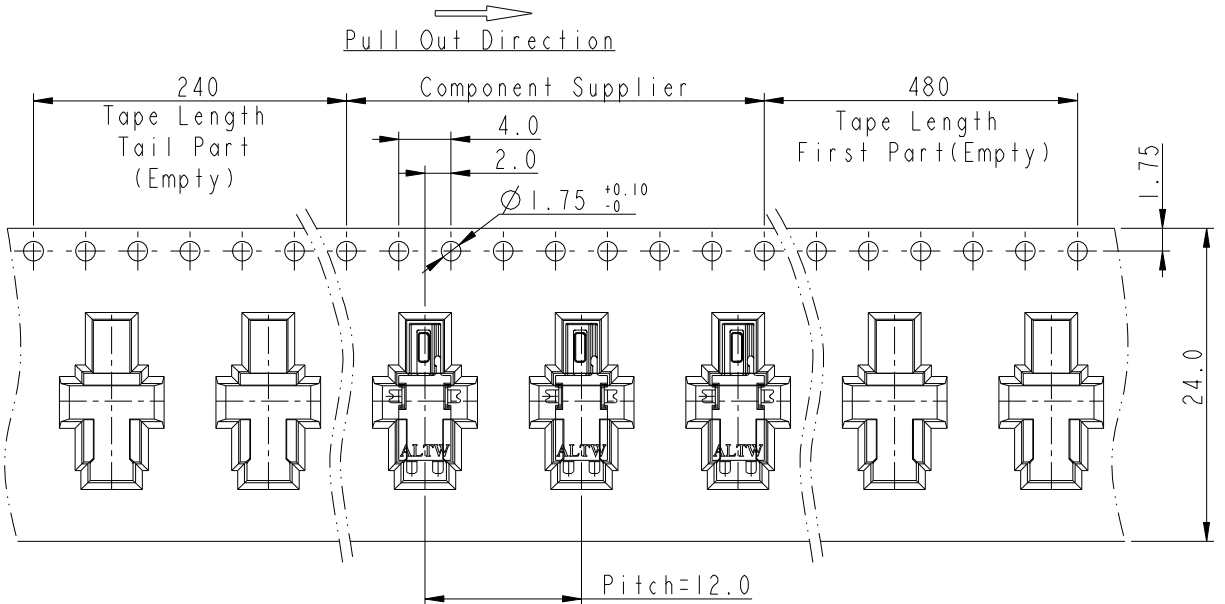
UNIT: mm		
TOLERANCE	.X ±0.25	
	.XX ±0.1	
	.XXX ±0.05	
ANGLES	±1°	

TITLE SSL-1.1 DCPLUG CONNECTOR 2-POS. W/O POST, SMT TYPE			
SCALE	5:1	SIZE	A4
SHEET	1	OF	2
REV.	C	WC-REV.	C.2
CC : Inspection item			

Amphenol LTW
安費諾亮泰企業股份有限公司

ITEM NO	SSL11-P2D00-000001	DRAWN BY	Fisher_Wang	DATE	2013-12-16
DWG NO	SSL11-P2D00-000001	CHECKED BY	Ivan_Lin	DATE	2013-12-16
CUSTOMER	ALTW	APPROVED BY	Kevin_Hu	DATE	2013-12-16

THIS DOCUMENT IS SUBJECT TO CHANGE WITHOUT NOTICE. IT IS CONFIDENTIAL AND A PROPERTY OF Amphenol LTW. DISCLOSURE TO THIRD PARTY HAS TO BE AUTHORIZED BY Amphenol LTW.

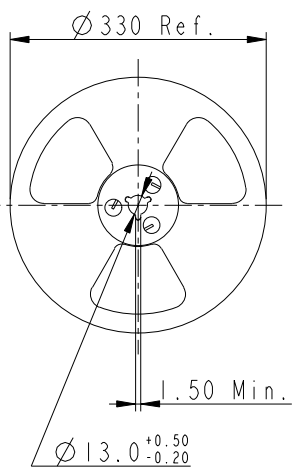


MATERIALS

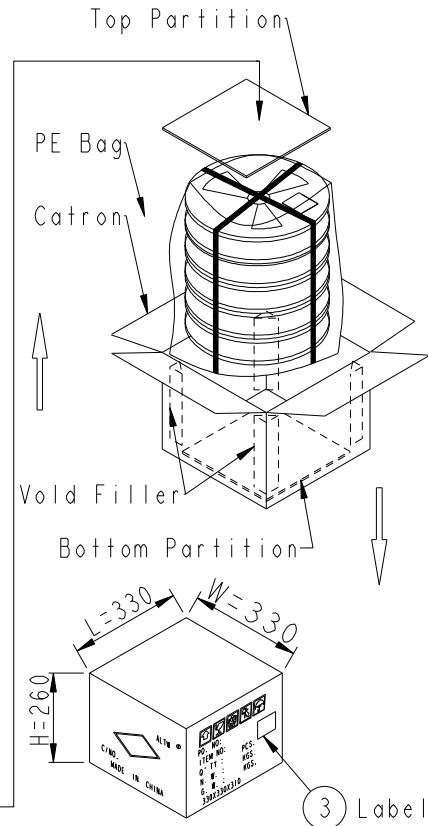
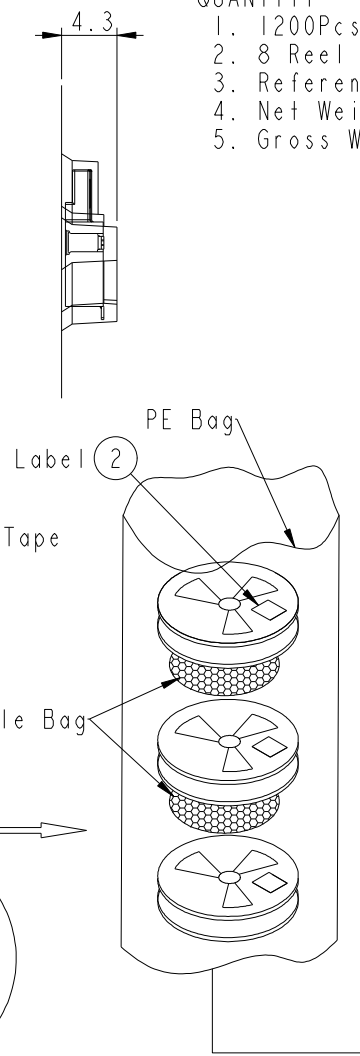
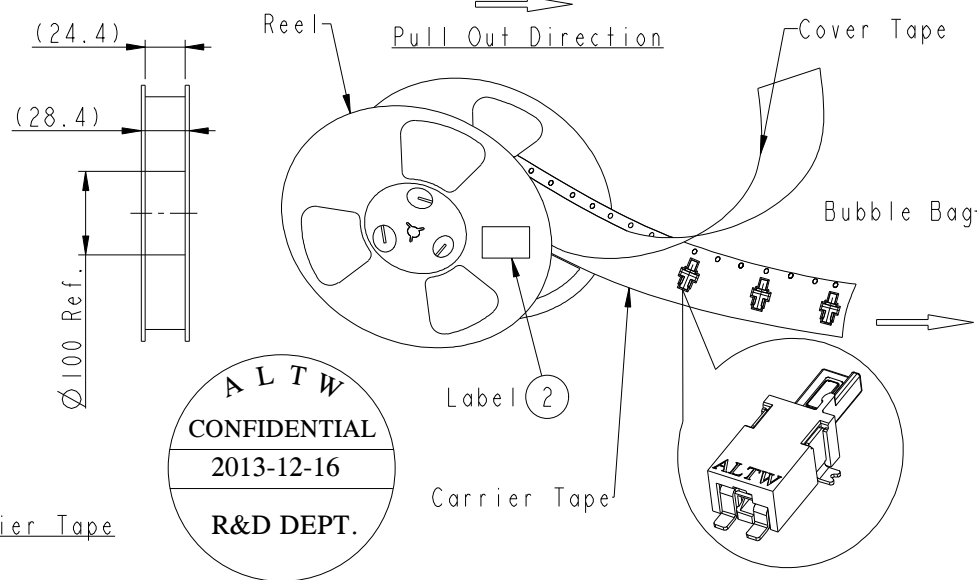
- 1. Carrier Tape: Polystyren (PS)
- 2. Cover Tape: Polystyren (PS)
- 3. Reel: Polystyren (PS)

QUANTITY

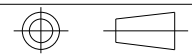
- 1. 1200Pcs Per Reel
- 2. 8 Reel Per Carton (9600Pcs/Carton)
- 3. Reference Standard: EIA-481-D
- 4. Net Weight: 1.7Kg/Carton.
- 5. Gross Weight: 6.9Kg/Carton.



Reel For Carrier Tape



UNIT:mm



TITLE SSL-1.1 DC PLUG CONNECTOR 2-POS. W/O POST, SMT TYPE			
SCALE 5:1	SIZE A4	SHEET 2 OF 2	
REV. C	WC-REV. A.7	QC: Inspection item	

Amphenol LTW
安費諾亮泰企業股份有限公司

ITEM NO SSL11-P2D00-000001	DRAWN BY Fisher_Wang	DATE 2013-12-16
DWG NO SSL11-P2D00-000001	CHECKED BY Ivan_Lin	DATE 2013-12-16
CUSTOMER ALTW	APPROVED BY Kevin_Hu	DATE 2013-12-16

A

X-ON Electronics

Largest Supplier of Electrical and Electronic Components

Click to view similar products for [Power to the Board](#) category:

Click to view products by [Amphenol](#) manufacturer:

Other Similar products are found below :

[10131318-08512GRLF](#) [6450171-4](#) [6450552-7](#) [6600323-8](#) [6643429-1](#) [6646040-2](#) [6651939-1](#) [6766604-1](#) [120959-1](#) [1393557-2](#) [1393532-2](#)
[1393532-3](#) [1393532-4](#) [1393557-1](#) [1600812-5](#) [1-6450861-2](#) [1645595-1](#) [1743490-1](#) [1744132-7](#) [1761122-1](#) [1766169-1](#) [1766250-1](#) [18362](#)
[1892109-1](#) [1-967627-6](#) [2226808-1](#) [2-6450860-5](#) [2-6450860-6](#) [2-6450870-0](#) [93003-0502](#) [953552-1](#) [1-6450161-4](#) [1-6450850-6](#) [1645526-2](#) [1-](#)
[6600130-0](#) [1743419-1](#) [1766150-1](#) [2005243-2](#) [211110-1](#) [2-6600130-2](#) [TE34-12-16P-F0](#) [51700-10201602AALF](#) [5-6450830-6](#) [5646956-4](#)
[36662-0005](#) [40585-3000](#) [4-6450830-9](#) [4-6600333-3](#) [51142-0214](#) [10125416-4050LF](#)