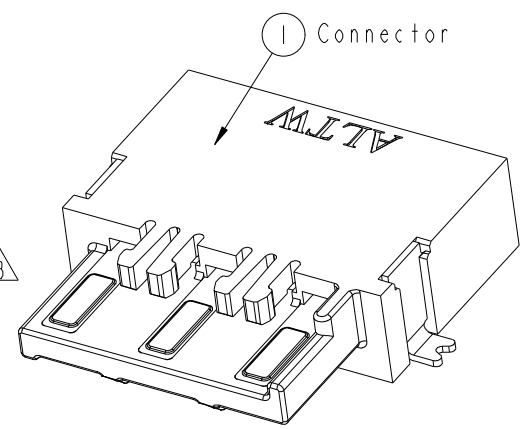
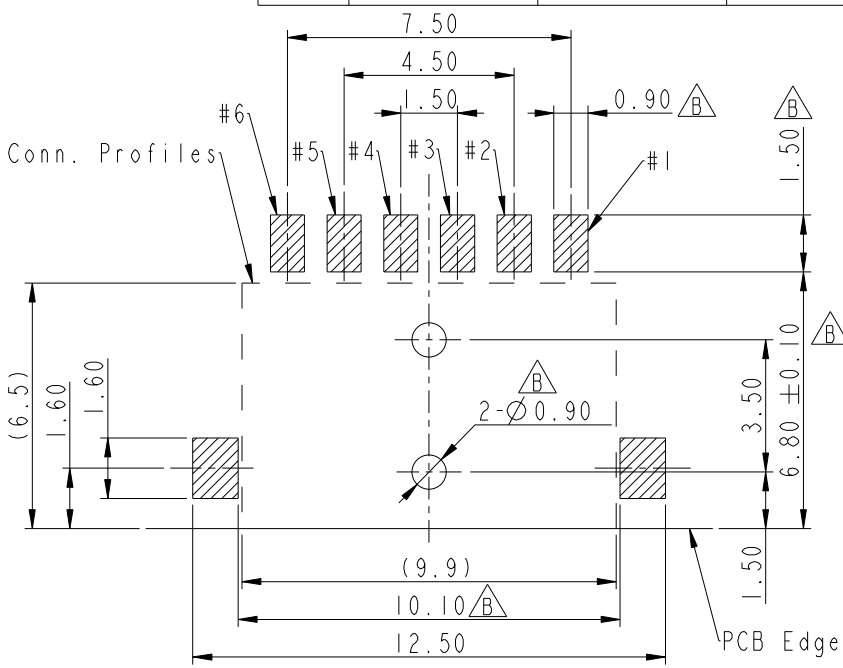
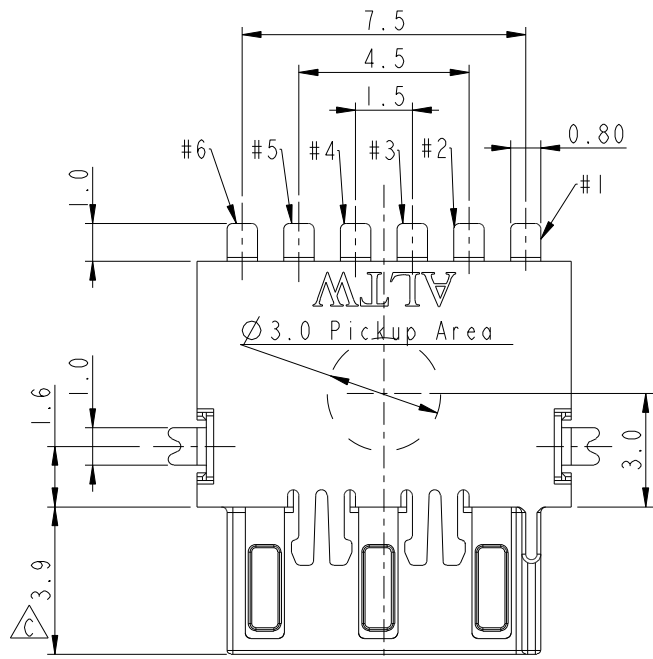
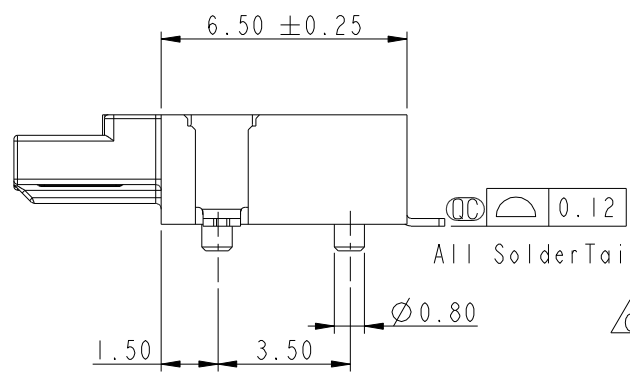
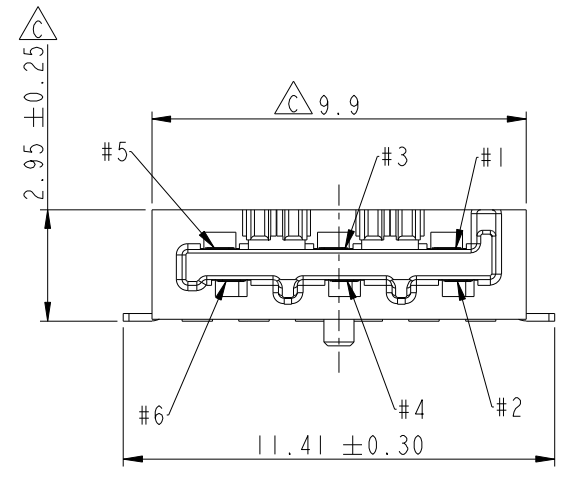
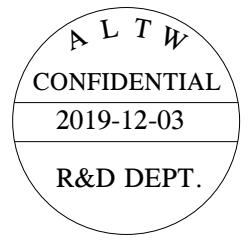


THIS DOCUMENT IS SUBJECT TO CHANGE WITHOUT NOTICE. IT IS CONFIDENTIAL AND A PROPERTY OF Amphenol LTW. DISCLOSURE TO THIRD PARTY HAS TO BE AUTHORIZED BY Amphenol LTW.

REV.	ECN NO.	DATE	SIGN	DESCRIPTION
C	LE313C0102	2013-12-16	Fisher	Change Plating and Package
D	CI91496	2019-08-30	NianPing Yu	Add UL Label
E	CI92063	2019-12-03	NianPing Yu	△E XI



RECOMMENDED P.C.B. LAYOUT  
GENERAL TOLERANCE IS ±0.05



- Notes:
- \* Important Dimension To Check.
  - \* Housing: High temperature thermoplastic. UL94V-0, color is Natural white.
  - \* Terminal: Copper Alloy, Gold Plated on contact area. Tin plated on solder tails.
  - \* Solder Peg: Copper Alloy, Tin plated over Nickel.

UNIT: mm

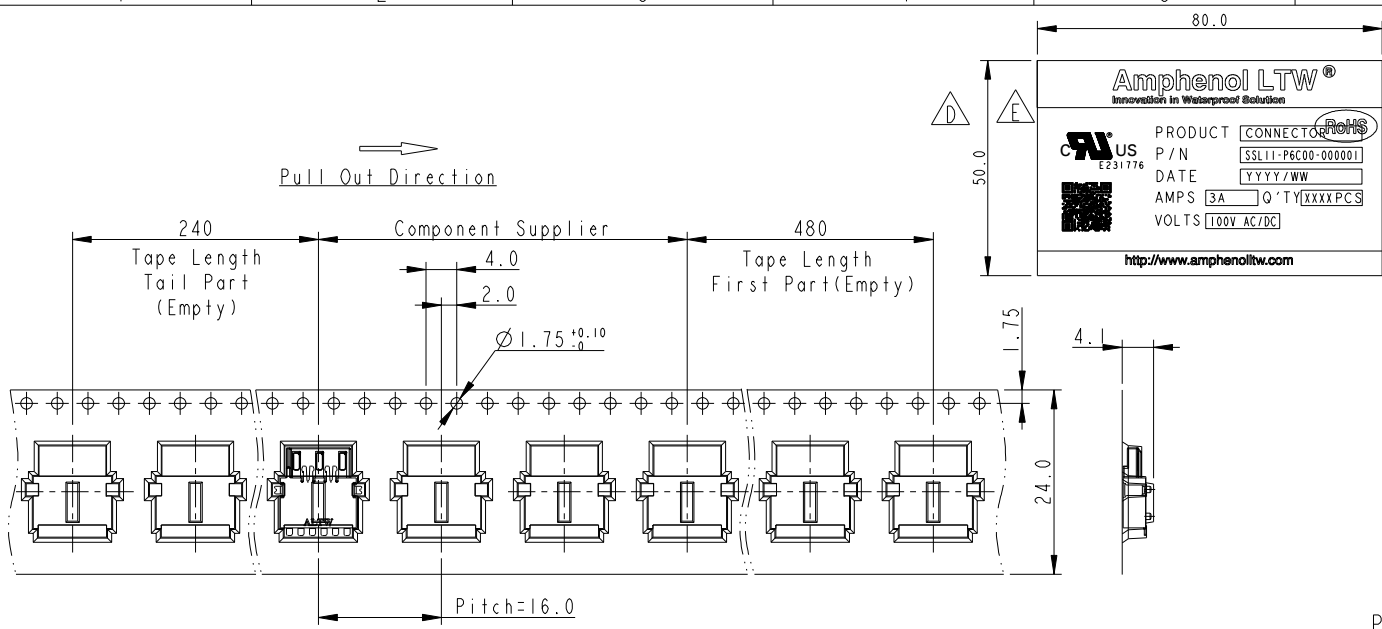
TOLERANCE	
.X	±0.25
.XX	±0.1
.XXX	±0.05
ANGLES	±1°

TITLE SSL-1.1 DC PLUG CONNECTOR 6-POS. WITH POST, SMT TYPE			
SCALE	SIZE	SHEET	OF
5:1	A4	1	2
REV.	WC-REV.	QC: Inspection item	
E	C.3		

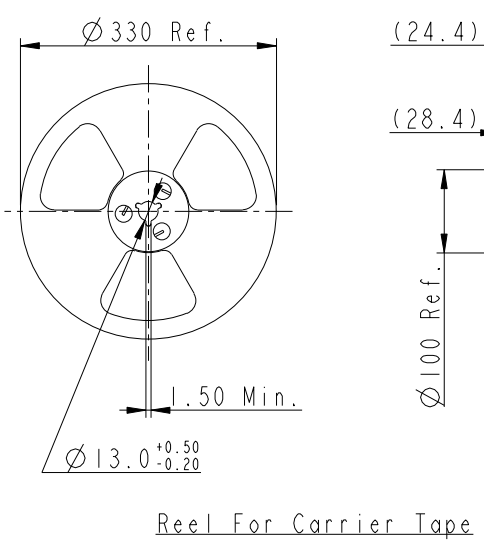
**Amphenol LTW**  
安費諾亮泰企業股份有限公司

ITEM NO.	SSL11-P6C00-000001	DRAWN BY	NianPing Yu	DATE	2019-08-30
DWG NO.	SSL11-P6C00-000001	CHECKED BY	Fisher Wang	DATE	2019-08-30
CUSTOMER	ALTW	APPROVED BY	Max Yang	DATE	2019-08-30

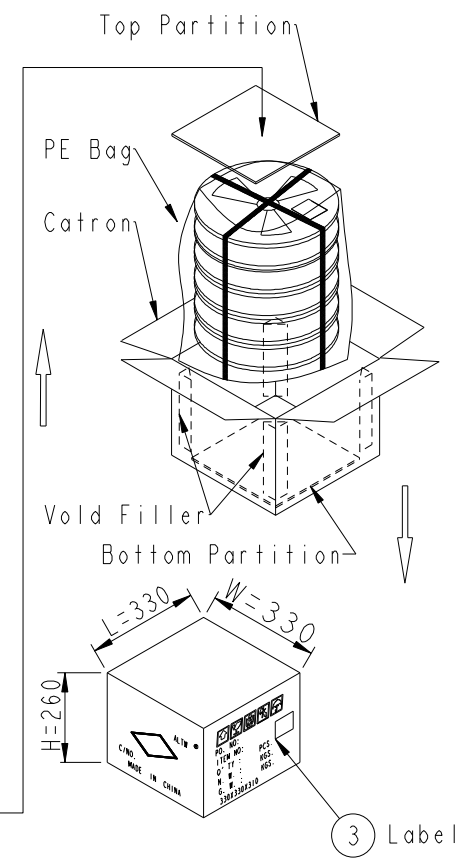
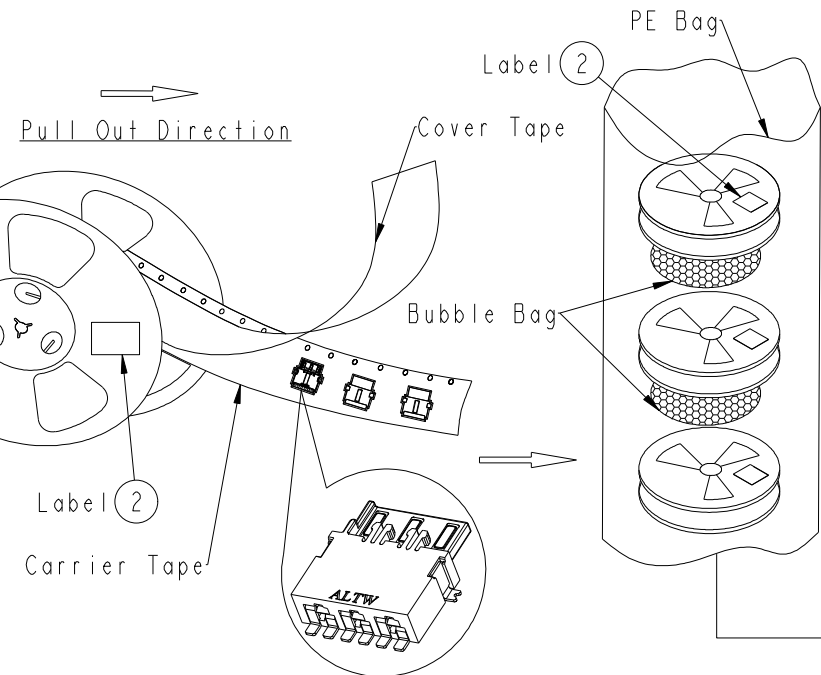
THIS DOCUMENT IS SUBJECT TO CHANGE WITHOUT NOTICE. IT IS CONFIDENTIAL AND A PROPERTY OF Amphenol LTW. DISCLOSURE TO THIRD PARTY HAS TO BE AUTHORIZED BY Amphenol LTW.



- MATERIALS**
- Carrier Tape: Polystyren (PS)
  - Cover Tape: Polystyren (PS)
  - Reel: Polystyren (PS)
- QUANTITY**
- 1000Pcs Per Reel
  - 8 Reel Per Carton (8000Pcs/Carton)
  - Reference Standard: EIA-481-D
  - Net Weight: 3.5Kg/Carton.
  - Gross Weight: 7.7Kg/Carton.



**ALTW**  
 CONFIDENTIAL  
 2019-12-03  
 R&D DEPT.



<b>UNIT:mm</b>		
TOLERANCE		
.X	±0.25	
.XX	±0.1	
.XXX	±0.05	
ANGLES	±1°	

TITLE SSL-1.1 DC PLUG CONNECTOR 6-POS. WITH POST, SMT TYPE			
SCALE	5:1	SIZE	A4
REV.	E	WC-REV.	A.5
		SHEET	2 OF 2
QC: Inspection item			

**Amphenol LTW**  
 安費諾亮泰企業股份有限公司

ITEM NO	SSL11-P6C00-000001	DRAWN BY	NianPing Yu	DATE	2019-08-30
DWG NO	SSL11-P6C00-000001	CHECKED BY	Fisher Wang	DATE	2019-08-30
CUSTOMER	ALTW	APPROVED BY	Max Yang	DATE	2019-08-30

## X-ON Electronics

Largest Supplier of Electrical and Electronic Components

*Click to view similar products for [Lighting Connectors](#) category:*

*Click to view products by [Amphenol](#) manufacturer:*

Other Similar products are found below :

[293300-7](#) [293660-5](#) [CNX\\_H03\\_NTP](#) [30-9767-BU](#) [3605](#) [3-21030-1](#) [ZCH-110-RGB-I](#) [503471-0290](#) [ZCH-110-RGB-J](#) [217-0716-200](#)  
[1954563-1](#) [1-293657-2](#) [2834036-1](#) [2834037-1](#) [1-2213222-4](#) [2-2213222-4](#) [2213222-4](#) [2834122-3](#) [2834122-5](#) [2834135-2](#) [FLA-R4142-30](#)  
[FLA-R4162-30](#) [FLA-R2142-30](#) [FLA-R2162-30](#) [FLA-R2161-30](#) [FLA-R0161-30](#) [FLA-R0141-30](#) [FLA-R0142-30](#) [FLA-R0162-30](#) [FLA-C00-](#)  
[00](#) [DGA00010553](#) [CNXV04NTP](#) [104128-0610](#) [503485-0000 \(Cut Strip\)](#) [503485-0000 \(Loose Piece\)](#) [503485-0000 \(MINI Reel\)](#) [1-2834074-2](#)  
[1-2834074-3](#) [1357-AC PLUG W2C \(CHINA\)](#) [1357-AC PLUG W2 \(USA\)](#) [104266-0110](#) [CNXV02NTP](#) [2106212-1](#) [2-2834074-2](#) [104266-](#)  
[0210](#) [293470-1](#) [293651-2](#) [293651-4](#) [1-2834006-2](#) [293651-1](#)