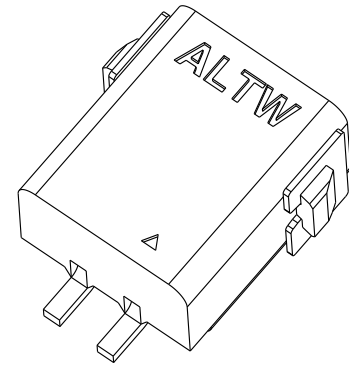
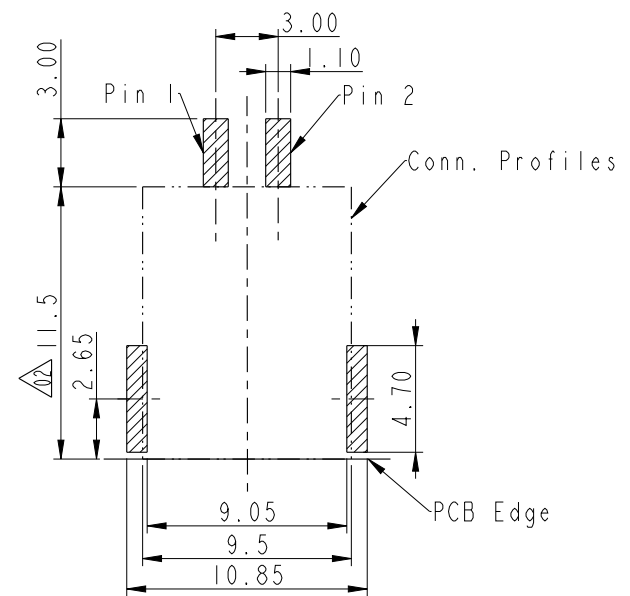
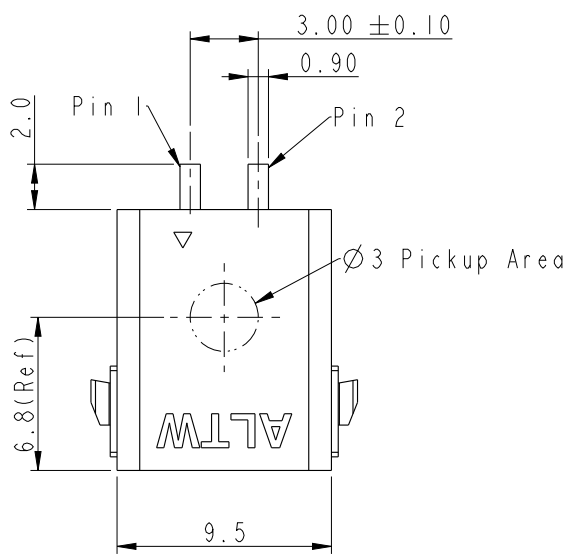
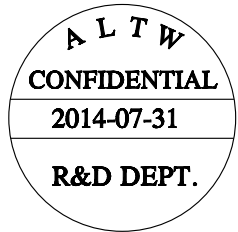
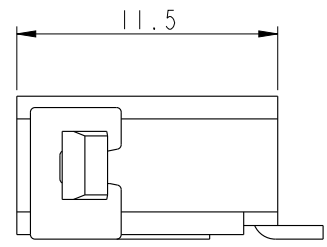
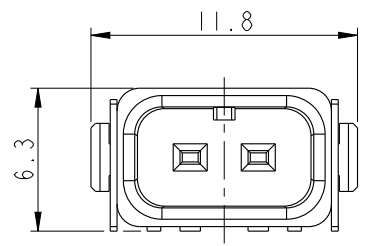


THIS DOCUMENT IS SUBJECT TO CHANGE WITHOUT NOTICE. IT IS CONFIDENTIAL AND A PROPERTY OF AMPHENOL LTW. DISCLOSURE TO THIRD PARTY HAS TO BE AUTHORIZED BY AMPHENOL LTW.

REV.	ECN NO.	DATE	SIGN	DESCRIPTION
A	Initial Release	2014/07/31	Cary	Change To Rev. A



RECOMMENDED PCB LAYOUT
GENERAL TOLERANCE IS ±0.05



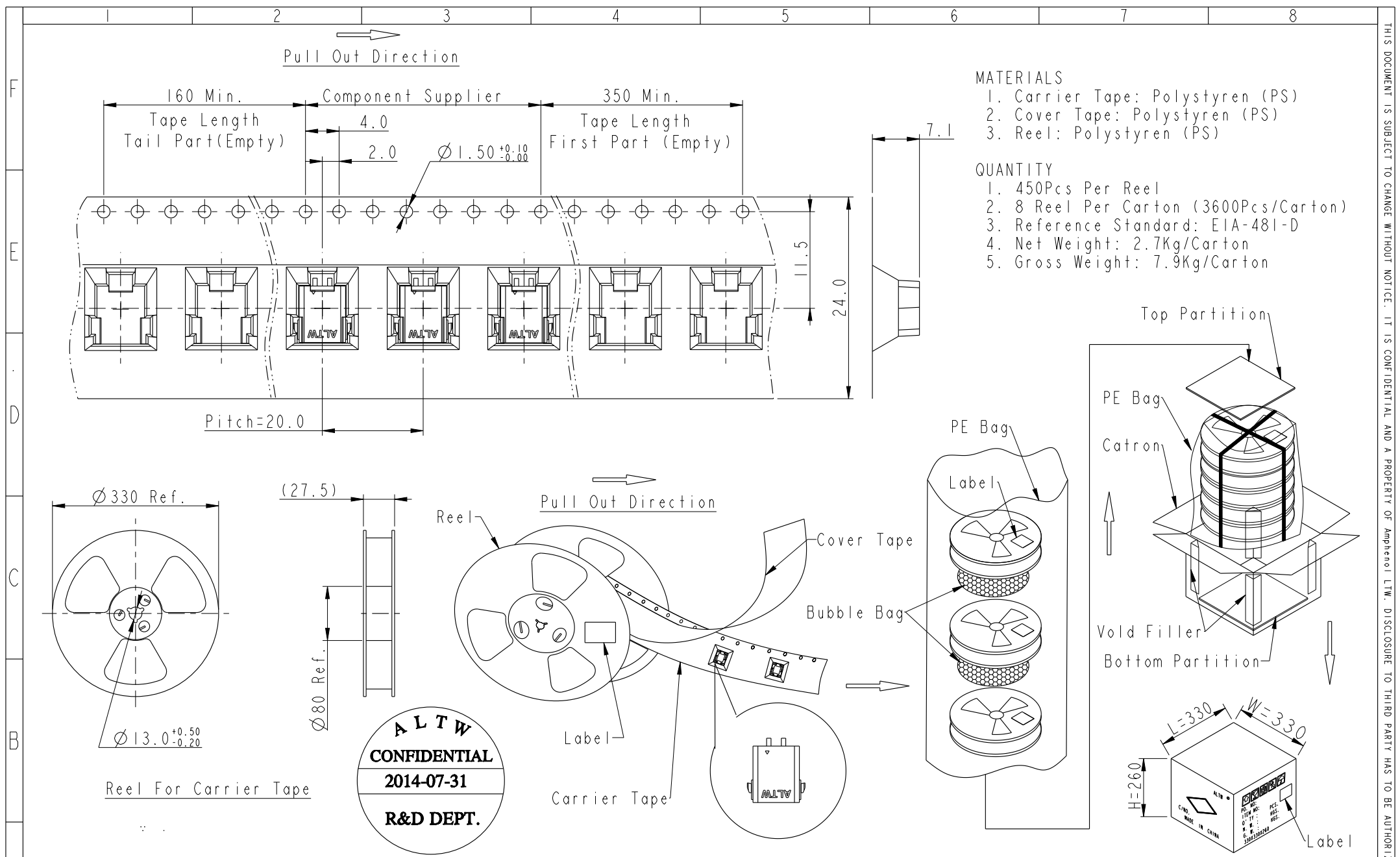
- Notes:
- * \varnothing Important Dimension To Check.
 - * Waterproof Rate: IP68(mating)
1M Depth Of Water In 24 Hours.
 - * Housing: High temperature thermoplastic.
UL94V-0, color is natural white.
 - * Terminal: Copper Alloy, Gold plated on contact area.
 - * Solder Peg: Copper Alloy, Tin plated over Nickel.
 - * Current Rating: 5A maximum.
 - * Voltage Rating: 250V DC/AV maximum.
 - * Operating Temperature: -40~+105°C

UNIT: mm			TITLE SSL1.2 2P R/A SMT JACK CONN.
TOLERANCE ±0.5mm	SCALE 3:1	SIZE A4	SHEET 1 OF 2
REV. A	WC-REV. A.4	\varnothing : Inspection item	

Amphenol LTW
安費諾亮泰企業股份有限公司

ITEM NO. SSL12-J2D00-000001	DRAWN BY Cary_liu	DATE 2014-07-31
DWG NO. SSL12-J2D00-000001	CHECKED BY Fisher	DATE 2014-07-31
CUSTOMER ALTW	APPROVED BY Jerry	DATE 2014-07-31

THIS DOCUMENT IS SUBJECT TO CHANGE WITHOUT NOTICE. IT IS CONFIDENTIAL AND A PROPERTY OF Amphenol LTW. DISCLOSURE TO THIRD PARTY HAS TO BE AUTHORIZED BY Amphenol LTW.



- MATERIALS**
- Carrier Tape: Polystyren (PS)
 - Cover Tape: Polystyren (PS)
 - Reel: Polystyren (PS)
- QUANTITY**
- 450Pcs Per Reel
 - 8 Reel Per Carton (3600Pcs/Carton)
 - Reference Standard: EIA-481-D
 - Net Weight: 2.7Kg/Carton
 - Gross Weight: 7.9Kg/Carton

ALTW
CONFIDENTIAL
2014-07-31
R&D DEPT.

UNIT:mm			TITLE SSL1.2 2P R/A SMT JACK CONN.	Amphenol LTW 安費諾亮泰企業股份有限公司	ITEM NO SSL12-J2D00-000001	DRAWN BY Cary_liu	DATE 2014-07-31
TOLERANCE $\pm 0.5\text{mm}$			SCALE 3:1	SIZE A4	DWG NO SSL12-J2D00-000001	CHECKED BY Fisher	DATE 2014-07-31
			REV. A	WC-REV. A.4	CUSTOMER ALTW	APPROVED BY Jerry	DATE 2014-07-31
			Inspection item				

X-ON Electronics

Largest Supplier of Electrical and Electronic Components

Click to view similar products for [Lighting Connectors](#) category:

Click to view products by [Amphenol](#) manufacturer:

Other Similar products are found below :

[21061-9](#) [293300-7](#) [2106117-2](#) [293660-5](#) [293700-2](#) [CNX_H03_NTP](#) [30-9767-BU](#) [3-21030-1](#) [ZCH-110-RGB-I](#) [503471-0290](#) [ES5P09K4F2](#)
[CNXH02NTP](#) [ZCH-110-RGB-J](#) [217-0716-200](#) [192992-0057](#) [1954563-1](#) [217-3030-000](#) [217-3032-000](#) [237-0734-003](#) [DTS24W25-20PN-LC](#)
[1-2213614-2](#) [2834049-3](#) [ES9S002SZZ](#) [2834049-2](#) [2-2834067-3](#) [1-293657-2](#) [2834049-1](#) [293699-2](#) [293701-3](#) [1-2213614-3](#) [2834036-1](#)
[2834037-1](#) [2213614-3](#) [2307526-2](#) [2-2106124-3](#) [2-2834068-3](#) [FLS2SC4001BP](#) [FLSC80352000](#) [FLSC80354000](#) [FLSC80353000](#) [FLSSB8002](#)
[FLSSB8001](#) [FLSC80351000](#) [FLSC80355000](#) [FLSSB4001](#) [FLSC80504000](#) [FLSC80502000](#) [FLSC80501000](#) [FLSSR4001](#) [X3700WM-02HF-](#)
[LPSN](#)