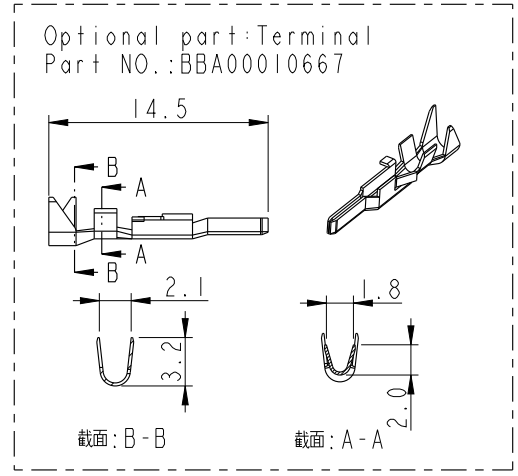
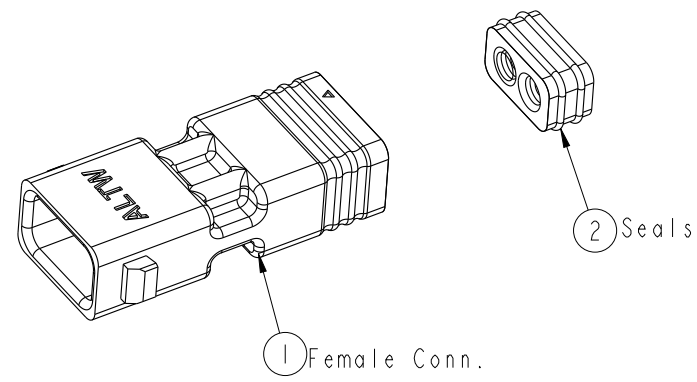
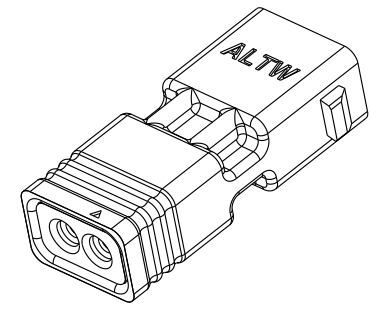
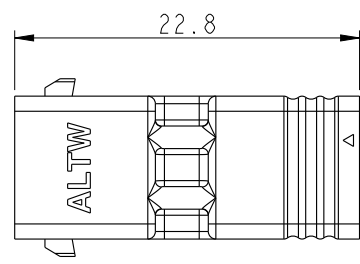
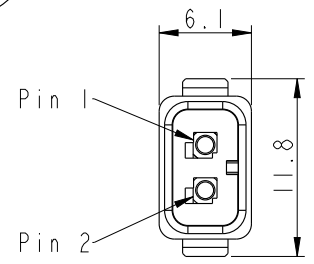


THIS DOCUMENT IS SUBJECT TO CHANGE WITHOUT NOTICE. IT IS CONFIDENTIAL AND A PROPERTY OF AMPHENOL LTW. DISCLOSURE TO THIRD PARTY HAS TO BE AUTHORIZED BY AMPHENOL LTW.

REV.	ECN NO.	DATE	SIGN	DESCRIPTION
A	Initial Release	2014/07/31	Cary	Change To Rev.A

ALTW
CONFIDENTIAL
 2014-07-31
R&D DEPT.



- Notes:
- * (CC) Important Dimension To Check.
 - * Waterproof Rate: IP68(mating).
 1M Depth Of Water In 24 Hours.
 - * Housing: Thermoplastic, UL94V-0, Natural White.
 - * Gasket: Silicone, Gray.
 - * Seals: Silicone, Gray.
 - * Current Rating: 5A maximum.
 - * 適用電子線20AWG~22AWG
 - * Voltage Rating: 250V DC/AV maximum.
 - * Operating Temperature: -40~+105℃

UNIT: mm

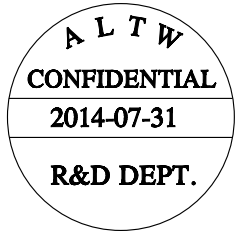
TOLERANCE
 ±0.5mm

TITLE SSL1.2 2P F CONN. ASS'Y			
SCALE 2:1	SIZE A4	SHEET 1 OF 2	
REV. A	WC-REV. A.1	CC: Inspection item	

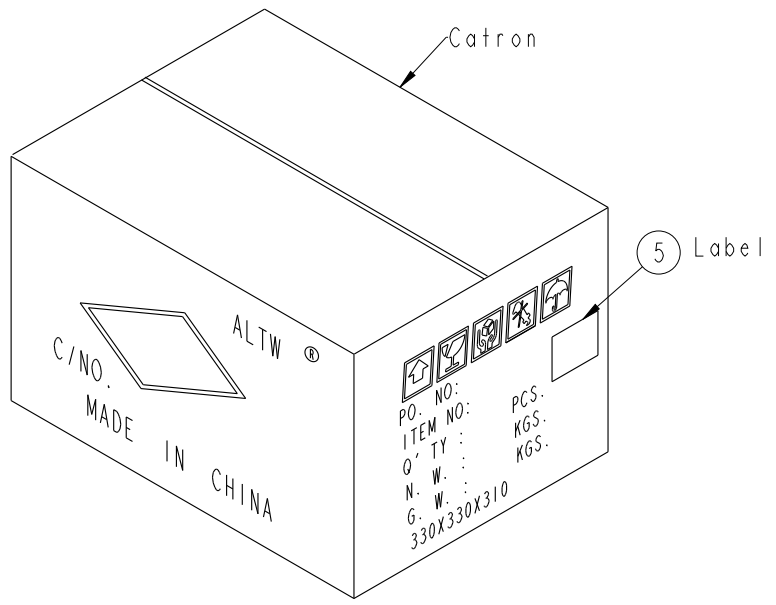
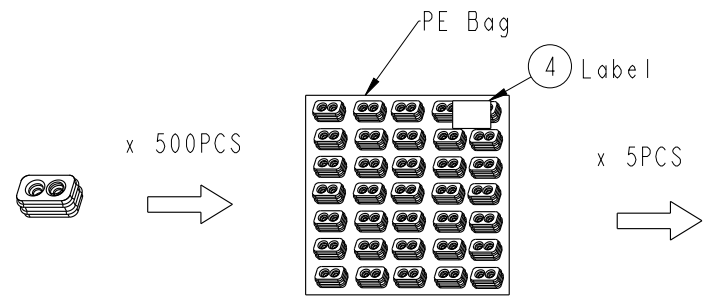
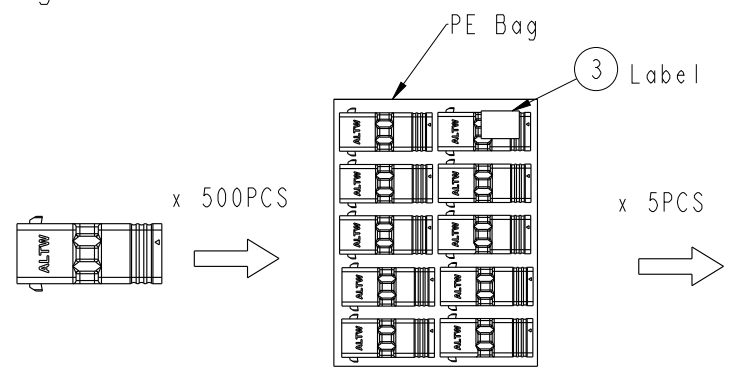
Amphenol LTW
 安費諾亮泰企業股份有限公司

ITEM NO. SSL12-J2FJ0-000001	DRAWN BY Cary_liu	DATE 2014-07-31
DWG NO. SSL12-J2FJ0-000001	CHECKED BY Fisher	DATE 2014-07-31
CUSTOMER ALTW	APPROVED BY Jerry	DATE 2014-07-31

THIS DOCUMENT IS SUBJECT TO CHANGE WITHOUT NOTICE. IT IS CONFIDENTIAL AND A PROPERTY OF Amphenol LTW. DISCLOSURE TO THIRD PARTY HAS TO BE AUTHORIZED BY Amphenol LTW.



Packing



- QUANTITY
1. 2500Set Per Carton
 2. Net Weight: 2.3Kg/Carton.
 3. Gross Weight: 3.0Kg/Carton.

UNIT:mm TOLERANCE ±0.5mm

TITLE SSL1.2 2P F CONN. ASS'Y			
SCALE 2:1	SIZE A4	SHEET 2 OF 2	
REV. A	WC-REV. A.1	☉: Inspection item	

Amphenol LTW
安費諾亮泰企業股份有限公司

ITEM NO. SSL12-J2FJ0-000001	DRAWN BY Cary_liu	DATE 2014-07-31
DWG NO. SSL12-J2FJ0-000001	CHECKED BY Fisher	DATE 2014-07-31
CUSTOMER ALTW	APPROVED BY Jerry	DATE 2014-07-31

X-ON Electronics

Largest Supplier of Electrical and Electronic Components

Click to view similar products for [Lighting Connectors](#) category:

Click to view products by [Amphenol](#) manufacturer:

Other Similar products are found below :

[21061-9](#) [293300-7](#) [2106117-2](#) [293660-5](#) [293700-2](#) [CNX_H03_NTP](#) [30-9767-BU](#) [3-21030-1](#) [ZCH-110-RGB-I](#) [503471-0290](#) [ES5P09K4F2](#)
[CNXH02NTP](#) [ZCH-110-RGB-J](#) [217-0716-200](#) [192992-0057](#) [1954563-1](#) [217-3030-000](#) [217-3032-000](#) [237-0734-003](#) [DTS24W25-20PN-LC](#)
[1-2213614-2](#) [2834049-3](#) [ES9S002SZZ](#) [2834049-2](#) [2-2834067-3](#) [1-293657-2](#) [2834049-1](#) [293699-2](#) [293701-3](#) [1-2213614-3](#) [2834036-1](#)
[2834037-1](#) [2213614-3](#) [2307526-2](#) [2-2106124-3](#) [2-2834068-3](#) [FLS2SC4001BP](#) [FLSC80352000](#) [FLSC80354000](#) [FLSC80353000](#) [FLSSB8002](#)
[FLSSB8001](#) [FLSC80351000](#) [FLSC80355000](#) [FLSSB4001](#) [FLSC80504000](#) [FLSC80502000](#) [FLSC80501000](#) [FLSSR4001](#) [X3700WM-02HF-](#)
[LPSN](#)