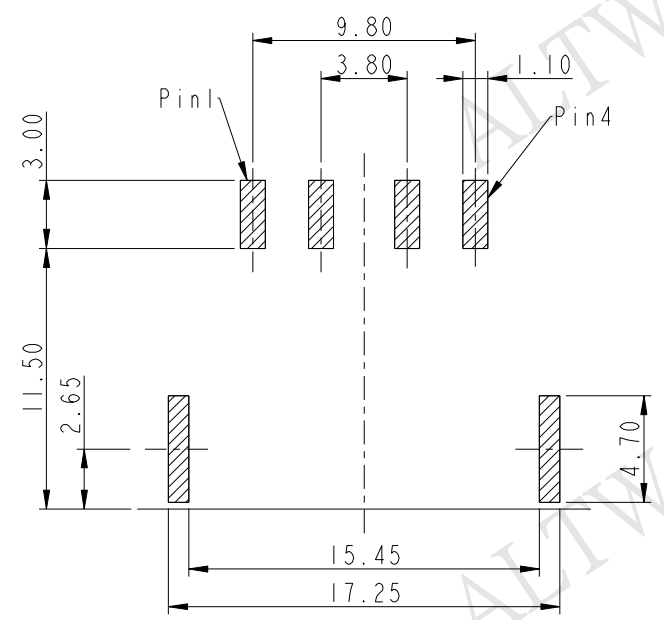
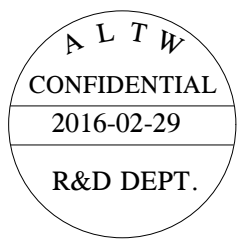
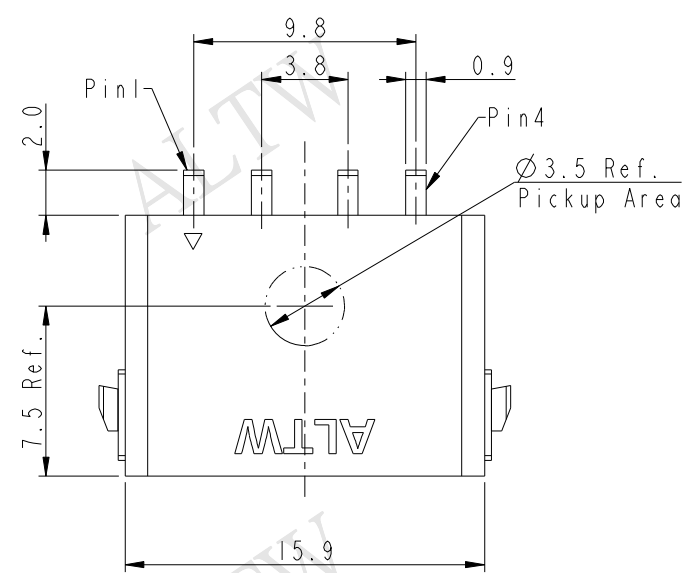
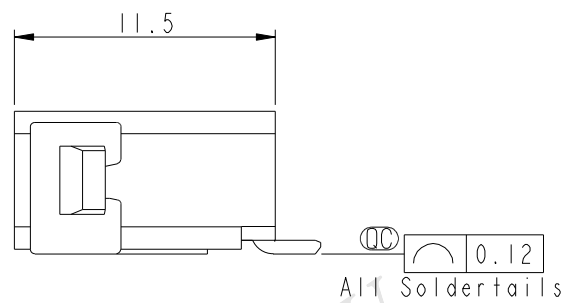
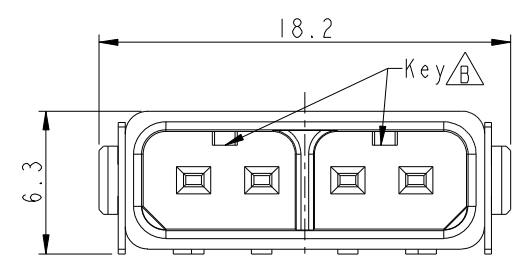


THIS DOCUMENT IS SUBJECT TO CHANGE WITHOUT NOTICE. IT IS CONFIDENTIAL AND A PROPERTY OF Amphenol LTW. DISCLOSURE TO THIRD PARTY HAS TO BE AUTHORIZED BY Amphenol LTW.

REV.	ECN NO.	DATE	SIGN	DESCRIPTION
A	Initial Release	2015-03-20	Fisher	Initial Release
B	LEN15B0001	2015-11-04	Fisher	Design Change, Add Key
C	LEN1620282	2016-02-29	Fisher	Update label

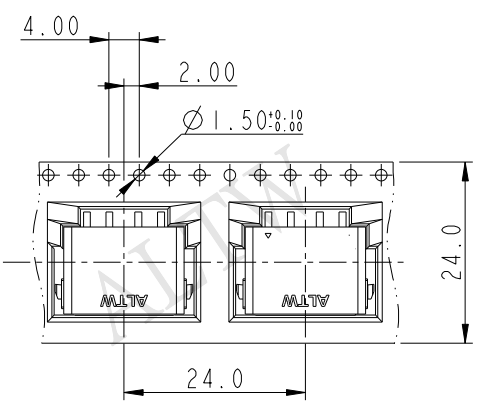


RECOMMENDED PCB LAYOUT
GENERAL TOLERANCE IS ± 0.05

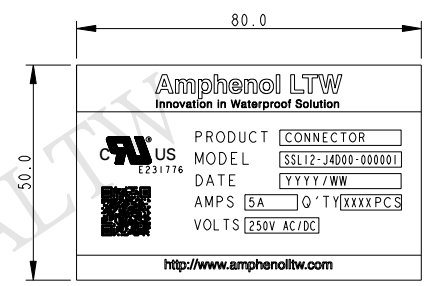


- Notes:
- * QC Important Dimension To Check.
 - * Waterproof Rate: IP68(mating)
IM Depth Of Water In 24 Hours.
 - * Housing: High temperature thermoplastic.
UL94V-0, color is natural white.
 - * Terminal: Copper Alloy, Gold plated.
 - * Solder Peg: Copper Alloy, Tin plated.
 - * Current Rating: 5A maximum.
 - * Voltage Rating: 250V AC/DC maximum.
 - * Operating Temperature: -40 ~ +105°C

UNIT: mm		TITLE SSL1.2 4P R/A SMT JACK CONN.			ITEM NO SSL12-J4D00-000001		DRAWN BY Fisher_Wang		DATE 2016-02-29		
		TOLERANCE .X ± 0.25 .XX ± 0.1 .XXX ± 0.05 ANGLES $\pm 1^\circ$			SCALE 3:1	SIZE A4	SHEET 1 OF 2	CHECKED BY Victor_Hung		DATE 2016-02-29	
		REV. C	WC-REV. A.1	QC : Inspection item	CUSTOMER ALTW		APPROVED BY Kevin_Hu		DATE 2016-02-29		
				Amphenol LTW 安費諾亮泰企業股份有限公司						8 FMM10702-01-02A1	



Print content of Label



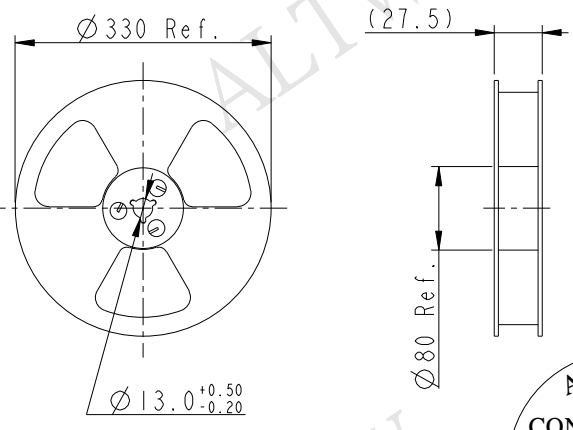
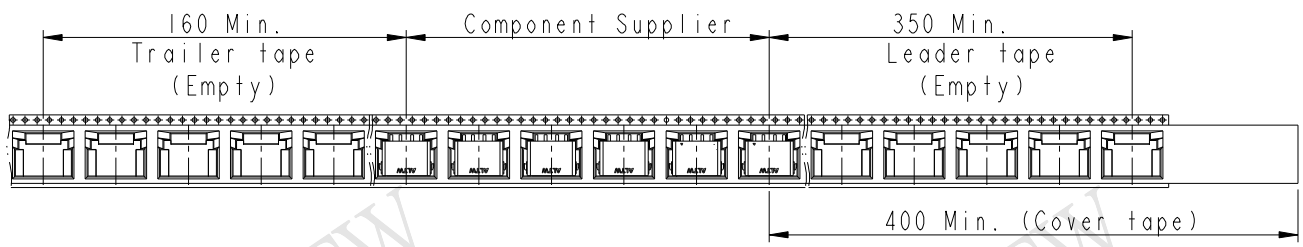
MATERIALS

1. Carrier Tape: Polystyren (PS)
2. Cover Tape: Polystyren (PS)
3. Reel: Polystyren (PS)

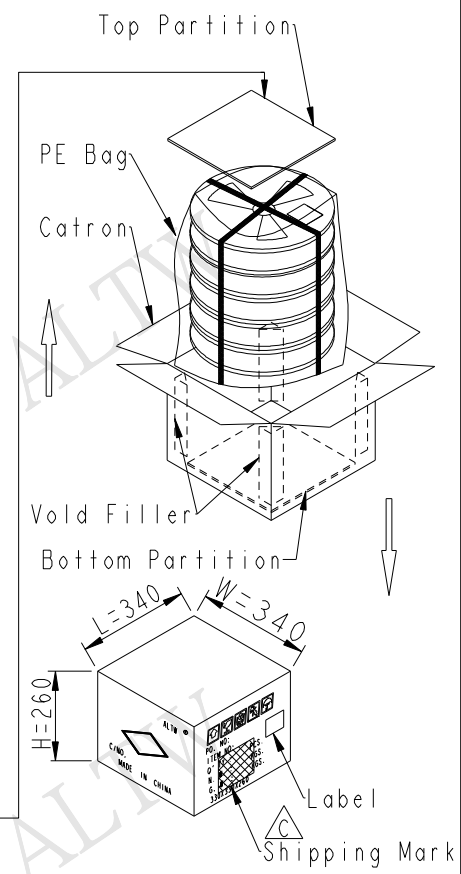
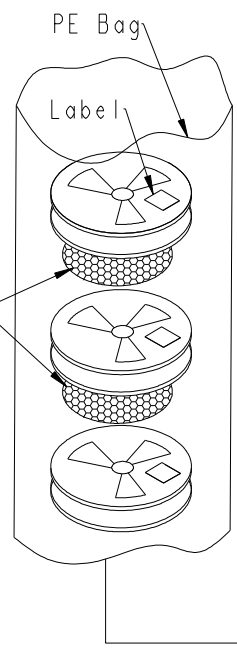
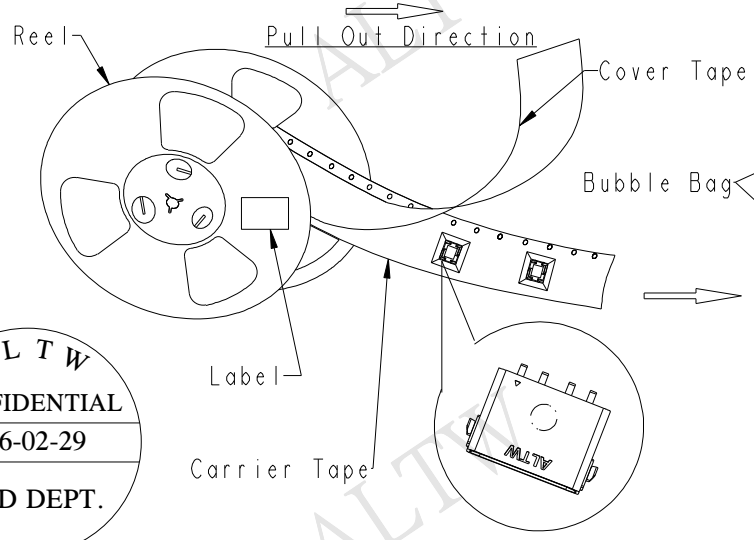
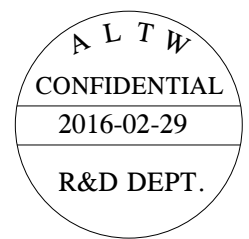
QUANTITY

1. 300Pcs Per Reel
2. 8 Reel Per Carton (2400Pcs/Carton)
3. Reference Standard: EIA-481-D
4. Net Weight: 2.7Kg/Carton
5. Gross Weight: 7.9Kg/Carton

Pull Out Direction



Reel For Carrier Tape



UNIT:mm		
TOLERANCE	.X ±0.25	
	.XX ±0.1	
	.XXX ±0.05	
ANGLES	±1°	

TITLE SSL1.2 4P R/A SMT JACK CONN.		
SCALE Free	SIZE A4	SHEET 2 OF 2
REV. C	WC-REV. A.4	: Inspection item

Amphenol LTW
安費諾亮泰企業股份有限公司

ITEM NO SSL12-J400-000001	DRAWN BY Fisher_Wang	DATE 2016-02-29
DWG NO SSL12-J400-000001	CHECKED BY Victor_Hung	DATE 2016-02-29
CUSTOMER ALTW	APPROVED BY Kevin_Hu	DATE 2016-02-29

DATE 2016-02-29	DATE 2016-02-29	DATE 2016-02-29
--------------------	--------------------	--------------------

X-ON Electronics

Largest Supplier of Electrical and Electronic Components

Click to view similar products for [Lighting Connectors](#) category:

Click to view products by [Amphenol](#) manufacturer:

Other Similar products are found below :

[293300-7](#) [293660-5](#) [CNX_H03_NTP](#) [30-9767-BU](#) [3605](#) [3-21030-1](#) [ZCH-110-RGB-I](#) [503471-0290](#) [ZCH-110-RGB-J](#) [217-0716-200](#)
[1954563-1](#) [1-293657-2](#) [2834036-1](#) [2834037-1](#) [1-2213222-4](#) [2-2213222-4](#) [2213222-4](#) [2834122-3](#) [2834122-5](#) [2834135-2](#) [FLA-R4142-30](#)
[FLA-R4162-30](#) [FLA-R2142-30](#) [FLA-R2162-30](#) [FLA-R2161-30](#) [FLA-R0161-30](#) [FLA-R0141-30](#) [FLA-R0142-30](#) [FLA-R0162-30](#) [FLA-C00-](#)
[00](#) [DGA00010553](#) [CNXV04NTP](#) [104128-0610](#) [503485-0000 \(Cut Strip\)](#) [503485-0000 \(Loose Piece\)](#) [503485-0000 \(MINI Reel\)](#) [1-2834074-2](#)
[1-2834074-3](#) [1357-AC PLUG W2C \(CHINA\)](#) [1357-AC PLUG W2 \(USA\)](#) [104266-0110](#) [CNXV02NTP](#) [2106212-1](#) [2-2834074-2](#) [104266-](#)
[0210](#) [293470-1](#) [293651-2](#) [293651-4](#) [1-2834006-2](#) [293651-1](#)