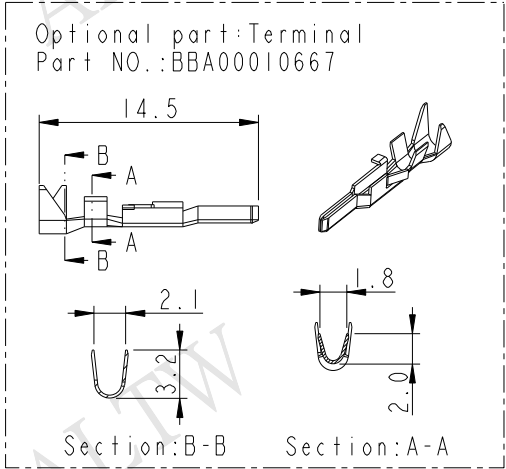
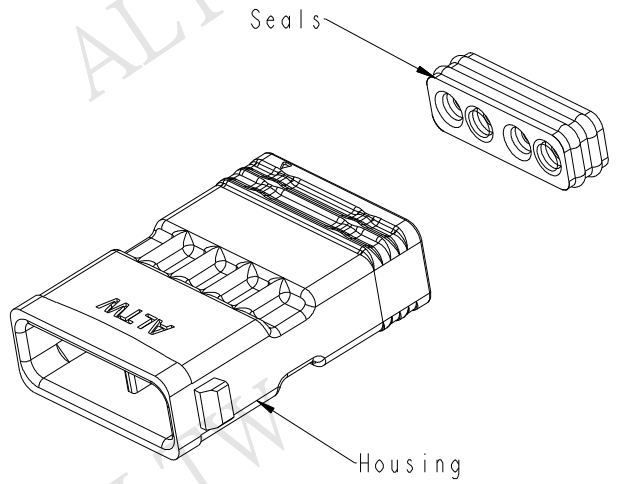
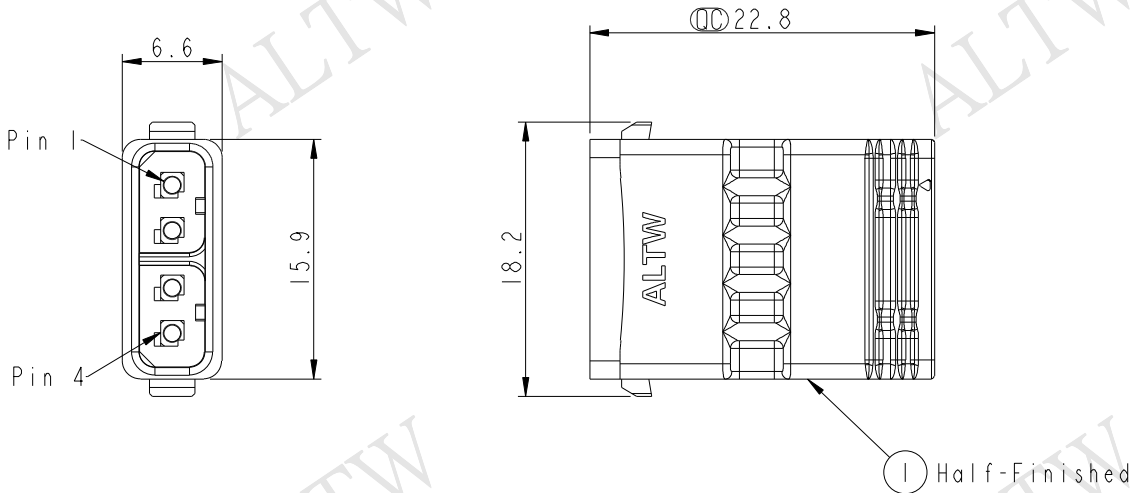


REV.	ECN NO.	DATE	SIGN	DESCRIPTION
A	Initial Release	2015-04-15	Fisher	Initial Release
B	LEN1620284	2016-03-02	Fisher	Update Label

ALTW  
CONFIDENTIAL  
2016-03-02  
R&D DEPT.



- Notes:
- \*  $\varnothing$  Important Dimension To Check.
  - \* Waterproof Rate: IP68(mating).  
1M Depth Of Water In 24 Hours.
  - \* Housing: Thermoplastic, UL94V-0, Natural White.
  - \* Seals: Silicone, Gray.
  - \* Current Rating: 5A maximum.
  - \* Applicable Wire Range: UL1430, 20~22AWG
  - \* Voltage Rating: 250V AC/DC maximum.
  - \* Operating Temperature: -40~+105°C
  - \* Applicable terminal: BBA00010667

UNIT:mm			TITLE SSL1.2 4P F Conn. Field Installable
TOLERANCE ±0.5mm	SCALE 2:1	SIZE A4	SHEET 1 OF 2
REV. B	WC-REV. A.4	$\varnothing$ : Inspection item	

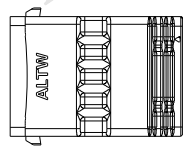
**Amphenol LTW**  
安費諾亮泰企業股份有限公司

ITEM NO SSL12-J4FJ0-000001	DRAWN BY Fisher_Wang	DATE 2016-03-02
DWG NO SSL12-J4FJ0-000001	CHECKED BY Victor_Hung	DATE 2016-03-02
CUSTOMER ALTW	APPROVED BY Kevin_Hu	DATE 2016-03-02

THIS DOCUMENT IS SUBJECT TO CHANGE WITHOUT NOTICE. IT IS CONFIDENTIAL AND A PROPERTY OF AMPHENOL LTW. DISCLOSURE TO THIRD PARTY HAS TO BE AUTHORIZED BY AMPHENOL LTW.

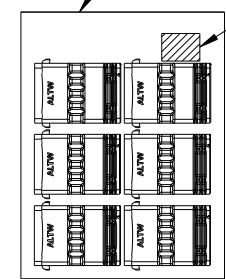
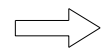
THIS DOCUMENT IS SUBJECT TO CHANGE WITHOUT NOTICE. IT IS CONFIDENTIAL AND A PROPERTY OF Amphenol LTW. DISCLOSURE TO THIRD PARTY HAS TO BE AUTHORIZED BY Amphenol LTW.

Packing

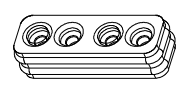


Housing

x 250PCS

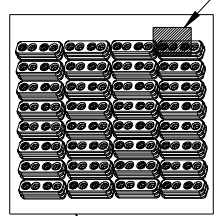
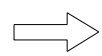


x 5PCS



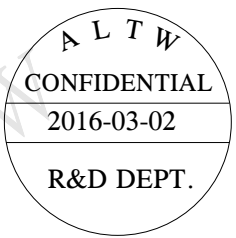
Seals

x 250PCS

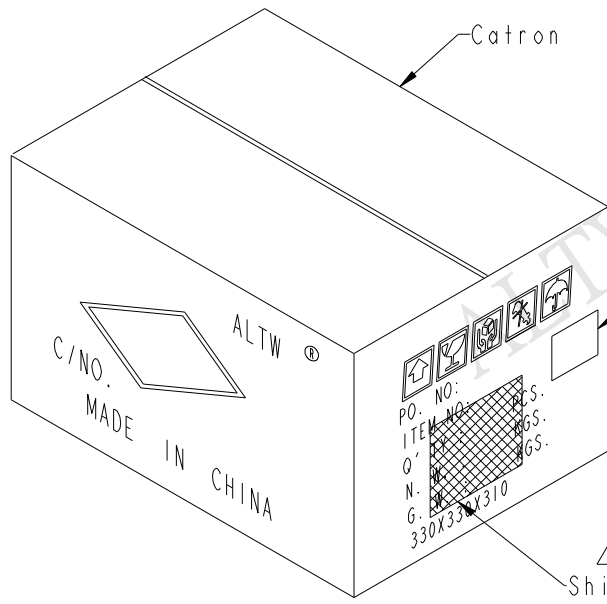
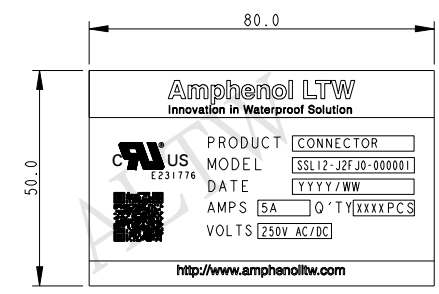


x 5PCS

PE Bag



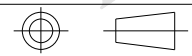
Print content of Label



Label

- QUANTITY
1. 1250Set Per Carton
  2. Net Weight: 2.0Kg/Carton.
  3. Gross Weight: 2.6Kg/Carton.
  4. Each box put a assembly instruction

UNIT:mm  
TOLERANCE  
±0.5mm



TITLE SSL1.2 4P F Conn. Field Installable			
SCALE 2:1	SIZE A4	SHEET 2 OF 2	
REV. B	WC-REV. A.4	QC: Inspection item	

**Amphenol LTW**  
安費諾亮泰企業股份有限公司

ITEM NO SSL12-J4FJ0-000001	DRAWN BY Fisher_Wang	DATE 2016-03-02
DWG NO SSL12-J4FJ0-000001	CHECKED BY Victor_Hung	DATE 2016-03-02
CUSTOMER ALTW	APPROVED BY Kevin_Hu	DATE 2016-03-02

DATE 2016-03-02
DATE 2016-03-02
DATE 2016-03-02

DATE 2016-03-02
DATE 2016-03-02
DATE 2016-03-02

## X-ON Electronics

Largest Supplier of Electrical and Electronic Components

*Click to view similar products for [Lighting Cables](#) category:*

*Click to view products by [Amphenol](#) manufacturer:*

Other Similar products are found below :

[CL2-EXTEND](#) [96CB-E0605HAA1](#) [ZWF-915-J](#) [68801-4899](#) [68801-2112](#) [68801-2123](#) [68801-4124](#) [68801-4752](#) [68801-4850](#) [ZFS-CH144-12I](#) [96CB-E0405PCA3](#) [96CB-E0405PIC3](#) [96CB-E0605HAB1](#) [SSL11-J2LJ0-022A04](#) [CNXBE4218](#) [1-2058943-7](#) [1-2058943-8](#) [1-2083075-2](#) [1-2083080-1](#) [CNX310-120-X4124](#) [CNX\\_C\\_E\\_4\\_2\\_08](#) [CNXBE4118](#) [CNX\\_310\\_012\\_E\\_4\\_1\\_12](#) [2702306](#) [2702307](#) [SSL12-J4FJ0-000001](#) [180888-0405](#) [SSL12-J2LJ0-020F01](#) [180887-0430](#) [1705131](#) [180887-0410](#) [180778-0405](#) [1-2083029-8](#) [SSL12-J4LJ0-020H01](#) [180778-0430](#) [SSL12-P4LP0-M20H01](#) [SSL12-P4LP0-M20F01](#) [SSL12-P2LP0-M20F01](#) [SSL12-J4LJ0-020F01](#) [SSL11-J2LJ0-B22A04](#) [4804](#) [68801-4037](#) [68801-4039](#) [68801-4053](#) [68801-4055](#) [68801-4057](#) [68801-4059](#) [68801-4061](#) [960026](#) [2-2083030-2](#)