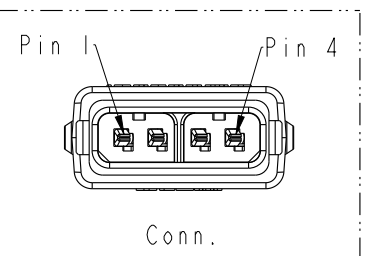
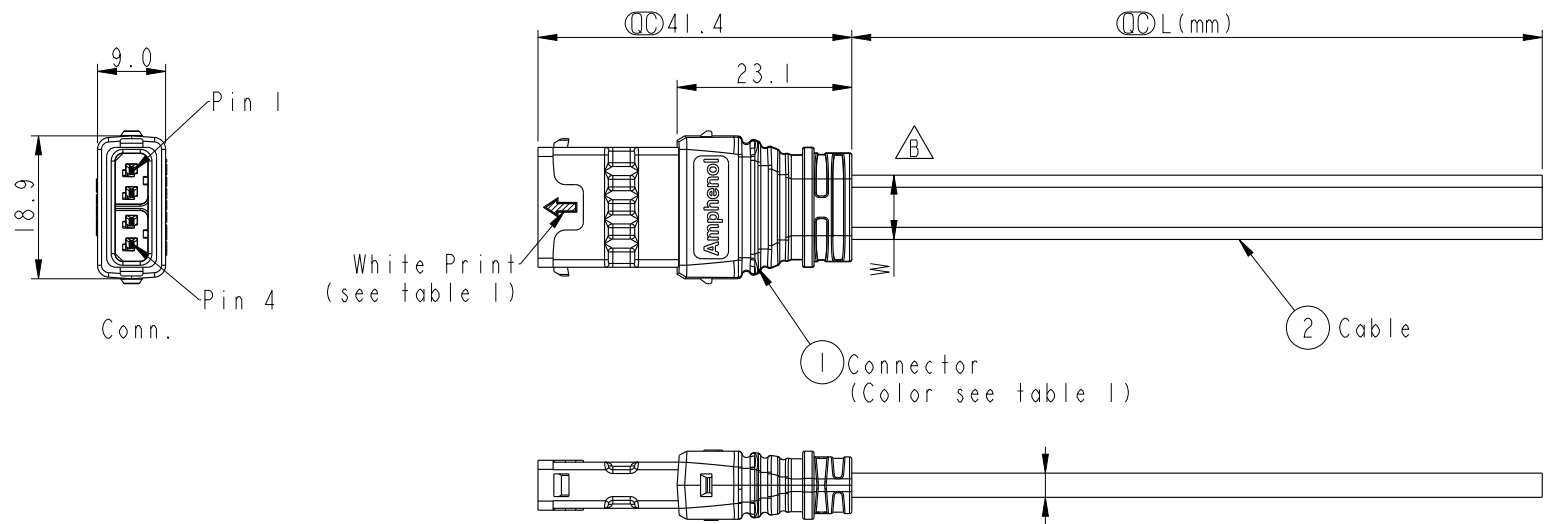


THIS DOCUMENT IS SUBJECT TO CHANGE WITHOUT NOTICE. IT IS CONFIDENTIAL AND A PROPERTY OF Amphenol LTW. DISCLOSURE TO THIRD PARTY HAS TO BE AUTHORIZED BY Amphenol LTW.

| REV. | ECN NO. | DATE | SIGN | DESCRIPTION |
|------|-----------------|------------|-------------|--------------|
| A | Initial Release | 2017-05-17 | Fisher Wang | Rev. 01 to A |
| B | C210960 | 2021-06-25 | Carl Dong | △Bx1 |

Table 1:

| P/N. | connector | Cable | White Print |
|--------------------|-----------|-------|-------------|
| SSL12-J4LJ0-0XXFXX | White | White | Without |
| SSL12-J4LJ0-0XXHXX | Black | Black | With |



SSL12-J4LJ0-0XX X XX

- XX: 1M~99M
- 01: 1M
- 02: 2M
- :
- 99: 99M
- F: White
- H: Black

Cable Length Tolerance:

- 01M: ±40mm
- 02M~06M: ±60mm
- 06M~10M: ±100mm
- 11M~30M: ±200mm
- 31M~99M: ±500mm

Notes:

- * Ⓞ Important Dimension To Check.
- * Current Rating: 5A
- * Voltage Rating: 300V DC/AC
- * Waterproof Rate: IP68(mating)
1M Depth Of Water In 24 Hours.
- * Housing: Thermoplastic, UL94V-0,
color see table 1.
- * Terminal: Copper Alloy, Gold Plated.
- * Seals: Silicone, Gray.
- * Cable: UL21996, Flat Cable, UV Resistance,
color see table 1.
- * Temperature Range: -40~+105℃

| | |
|---------|------------|
| 4 | Yellow 黃 |
| 3 | Orange 橘 |
| 2 | Red 紅 |
| 1 | Brown 棕 |
| Conn | Wire Color |
| Pin out | |

| | |
|---------|--|
| UNIT:mm | |
| ±0.5 | |

| | | | |
|--|----------------|--------------------|--|
| TITLE SSL1.2 4P, JACK CONN+FLAT CABLE | | | |
| SCALE Free | SIZE A4 | SHEET 1 OF 1 | |
| REV. B | WC-REV. A.4 | Ⓞ: Inspection item | |

Amphenol LTW
安費諾亮泰企業股份有限公司

| | | |
|------------------------------|---------------------------|--------------------|
| ITEM NO | DRAWN BY Fisher Wang | DATE 2017-05-17 |
| DWG NO SSL12-J4LJ0-0XXXXX | CHECKED BY Victor Hung | DATE 2017-05-17 |
| CUSTOMER ALTW | APPROVED BY Kevin Hu | DATE 2017-05-17 |

X-ON Electronics

Largest Supplier of Electrical and Electronic Components

Click to view similar products for [Lighting Cables](#) category:

Click to view products by [Amphenol](#) manufacturer:

Other Similar products are found below :

[CL2-EXTEND](#) [96CB-E0605HAA1](#) [ZWF-915-J](#) [68801-4899](#) [68801-2112](#) [68801-2123](#) [68801-4124](#) [68801-4752](#) [68801-4850](#) [ZFS-CH144-12I](#) [96CB-E0405PCA3](#) [96CB-E0405PIC3](#) [96CB-E0605HAB1](#) [SSL11-J2LJ0-022A04](#) [CNXBE4218](#) [1-2058943-7](#) [1-2058943-8](#) [1-2083075-2](#) [1-2083080-1](#) [CNX310-120-X4124](#) [CNX_C_E_4_2_08](#) [CNXBE4118](#) [CNX_310_012_E_4_1_12](#) [2702306](#) [2702307](#) [SSL12-J4FJ0-000001](#) [180888-0405](#) [SSL12-J2LJ0-020F01](#) [180887-0430](#) [1705131](#) [180887-0410](#) [180778-0405](#) [1-2083029-8](#) [SSL12-J4LJ0-020H01](#) [180778-0430](#) [SSL12-P4LP0-M20H01](#) [SSL12-P4LP0-M20F01](#) [SSL12-P2LP0-M20F01](#) [SSL12-J4LJ0-020F01](#) [SSL11-J2LJ0-B22A04](#) [4804](#) [68801-4037](#) [68801-4039](#) [68801-4053](#) [68801-4055](#) [68801-4057](#) [68801-4059](#) [68801-4061](#) [960026](#) [2-2083030-2](#)