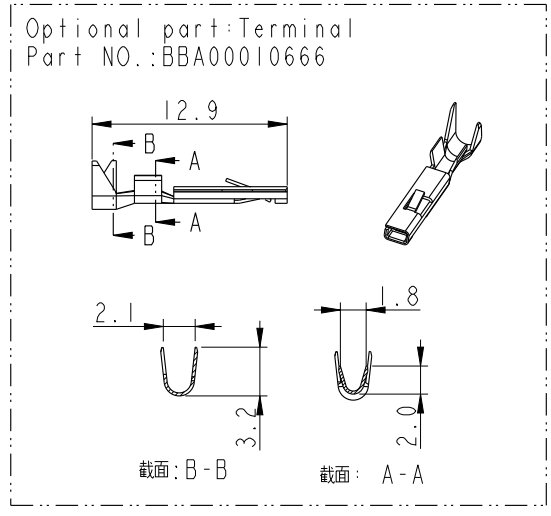
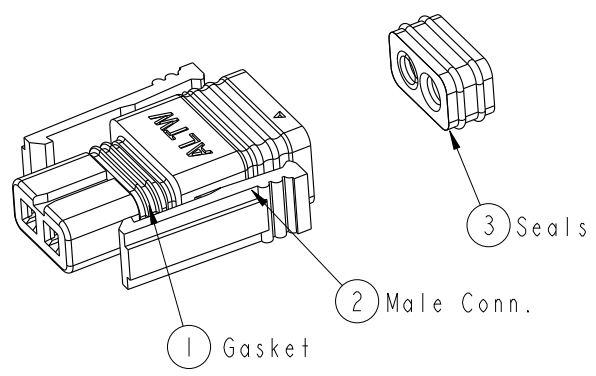
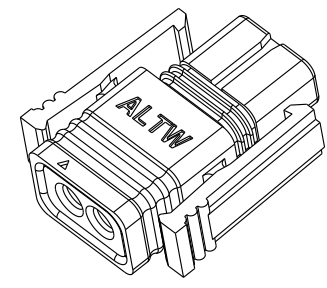
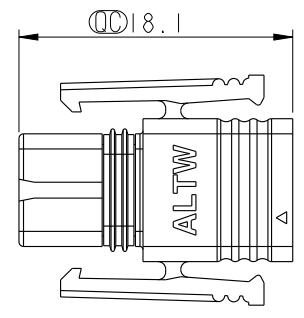
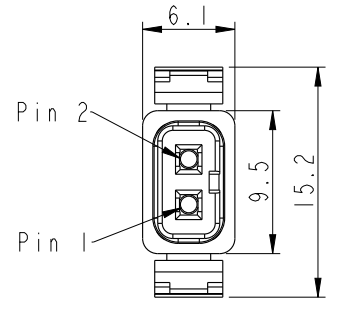


THIS DOCUMENT IS SUBJECT TO CHANGE WITHOUT NOTICE. IT IS CONFIDENTIAL AND A PROPERTY OF AMPHENOL LTW. DISCLOSURE TO THIRD PARTY HAS TO BE AUTHORIZED BY AMPHENOL LTW.

| REV. | ECN NO.         | DATE       | SIGN | DESCRIPTION     |
|------|-----------------|------------|------|-----------------|
| A    | Initial Release | 2014/07/31 | Cary | Change To Rev.A |
|      |                 |            |      |                 |

**ALTW**  
**CONFIDENTIAL**  
 2014-07-31  
**R&D DEPT.**



- Notes:
- \*  $\varnothing$  Important Dimension To Check.
  - \* Waterproof Rate: IP68(mating).  
 1M Depth Of Water In 24 Hours.
  - \* Housing: Thermoplastic, UL94V-0, Natural White.
  - \* Gasket: Silicone, Gray.
  - \* Seals: Silicone, Gray
  - \* Current Rating: 5A maximum.
  - \* 適用電子線 20AWG~22AWG
  - \* Voltage Rating: 250V DC/AV maximum.
  - \* Operating Temperature: -40~+105c

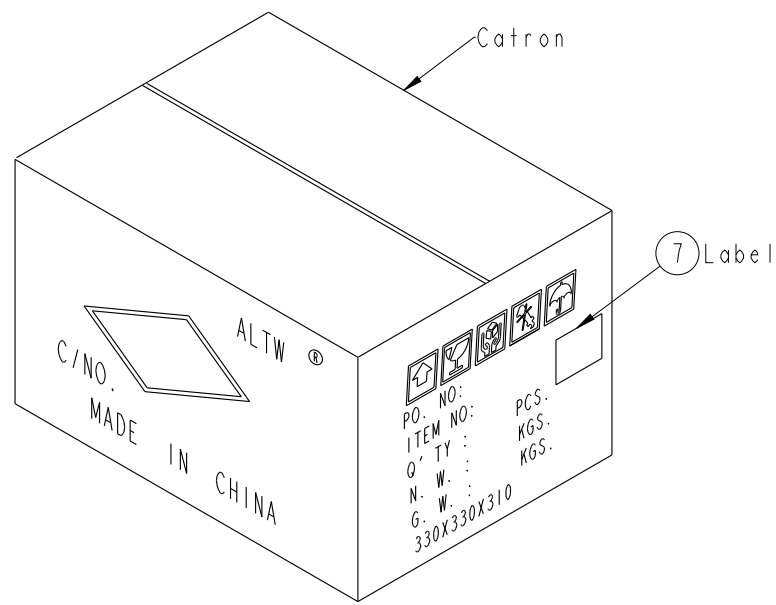
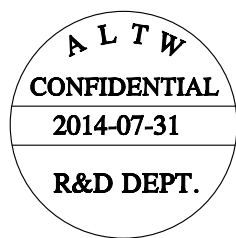
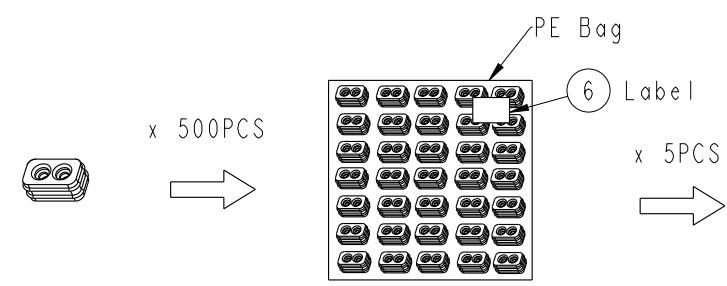
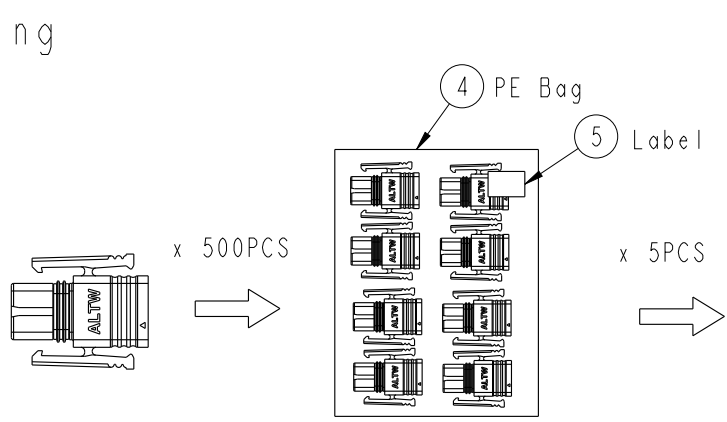
|                     |                |                                 |                                  |
|---------------------|----------------|---------------------------------|----------------------------------|
| UNIT: mm            |                |                                 | TITLE<br>SSL1.2 2P M CONN. ASS'Y |
| TOLERANCE<br>±0.5mm | SCALE<br>2:1   | SIZE<br>A4                      | SHEET<br>1 OF 2                  |
| REV.<br>A           | WC-REV.<br>A.1 | $\varnothing$ : Inspection item |                                  |

**Amphenol LTW**  
 安費諾亮泰企業股份有限公司

|                                |                      |                    |
|--------------------------------|----------------------|--------------------|
| ITEM NO.<br>SSL12-P2FP0-M00001 | DRAWN BY<br>Cary_liu | DATE<br>2014-07-31 |
| DWG NO.<br>SSL12-P2FP0-M00001  | CHECKED BY<br>Fisher | DATE<br>2014-07-31 |
| CUSTOMER<br>ALTW               | APPROVED BY<br>Jerry | DATE<br>2014-07-31 |

THIS DOCUMENT IS SUBJECT TO CHANGE WITHOUT NOTICE. IT IS CONFIDENTIAL AND A PROPERTY OF Amphenol LTW. DISCLOSURE TO THIRD PARTY HAS TO BE AUTHORIZED BY Amphenol LTW.

Packing



- QUANTITY
- 1. 2500Set Per Carton
  - 2. Net Weight: 2.3Kg/Carton.
  - 3. Gross Weight: 3.0Kg/Carton.

|                                |  |                                  |                |  |                               |                              |                      |                    |
|--------------------------------|--|----------------------------------|----------------|--|-------------------------------|------------------------------|----------------------|--------------------|
| UNIT:mm<br>TOLERANCE<br>±0.5mm |  | TITLE<br>SSL1.2 2P M CONN. ASS'Y |                | <h1>Amphenol LTW</h1> <p>安費諾亮泰企業股份有限公司</p> | ITEM NO<br>SSL12-P2FP0-M00001 | DRAWN BY<br>Cary             | DATE<br>2014-07-31   |                    |
|                                |  | SCALE<br>2:1                     | SIZE<br>A4     |  | SHEET<br>2 OF 2               | DWG NO<br>SSL12-P2FP0-M00001 | CHECKED BY<br>Fisher | DATE<br>2014-07-31 |
|                                |  | REV.<br>A                        | WC-REV.<br>A.1 |  | QC: Inspection item           | CUSTOMER<br>ALTW             | APPROVED BY<br>Jerry | DATE<br>2014-07-31 |

## X-ON Electronics

Largest Supplier of Electrical and Electronic Components

*Click to view similar products for [Lighting Connectors](#) category:*

*Click to view products by [Amphenol](#) manufacturer:*

Other Similar products are found below :

[21061-9](#) [293300-7](#) [2106117-2](#) [293660-5](#) [293700-2](#) [CNX\\_H03\\_NTP](#) [30-9767-BU](#) [3-21030-1](#) [ZCH-110-RGB-I](#) [503471-0290](#) [ES5P09K4F2](#)  
[CNXH02NTP](#) [ZCH-110-RGB-J](#) [217-0716-200](#) [192992-0057](#) [1954563-1](#) [217-3030-000](#) [217-3032-000](#) [237-0734-003](#) [DTS24W25-20PN-LC](#)  
[1-2213614-2](#) [2834049-3](#) [ES9S002SZZ](#) [2834049-2](#) [2-2834067-3](#) [1-293657-2](#) [2834049-1](#) [293699-2](#) [293701-3](#) [1-2213614-3](#) [2834036-1](#)  
[2834037-1](#) [2213614-3](#) [2307526-2](#) [2-2106124-3](#) [2-2834068-3](#) [FLS2SC4001BP](#) [FLSC80352000](#) [FLSC80354000](#) [FLSC80353000](#) [FLSSB8002](#)  
[FLSSB8001](#) [FLSC80351000](#) [FLSC80355000](#) [FLSSB4001](#) [FLSC80504000](#) [FLSC80502000](#) [FLSC80501000](#) [FLSSR4001](#) [X3700WM-02HF-](#)  
[LPSN](#)