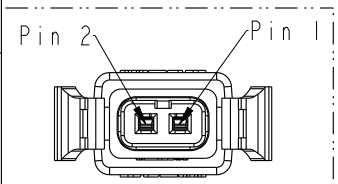
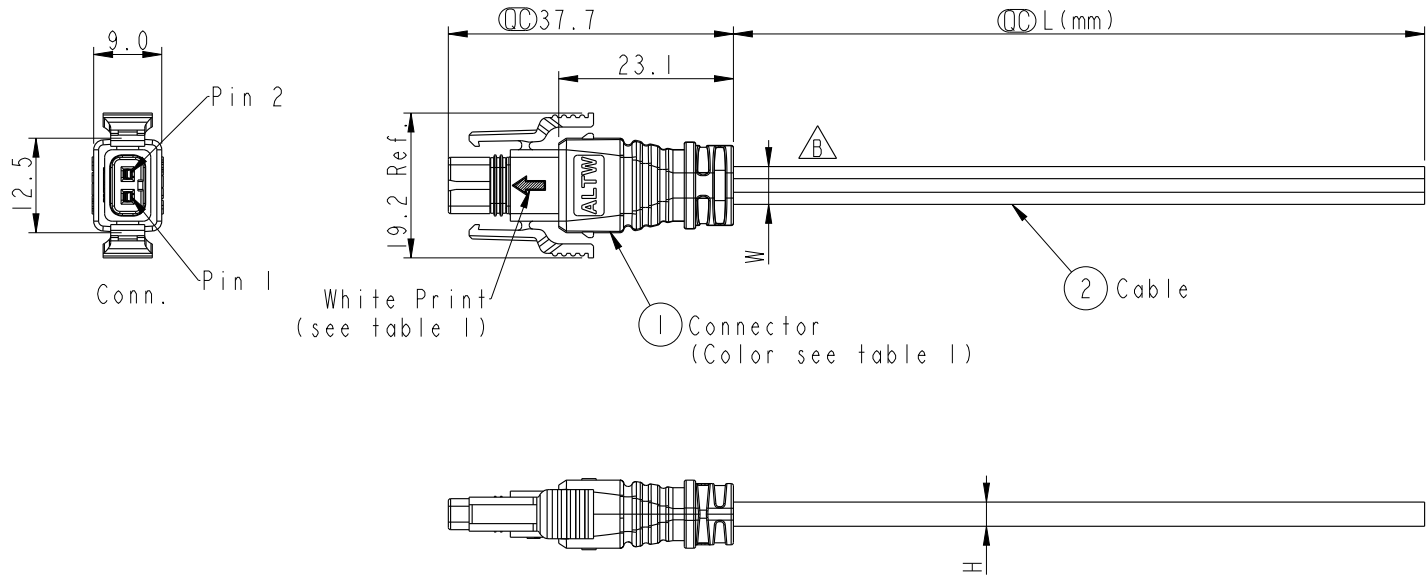


THIS DOCUMENT IS SUBJECT TO CHANGE WITHOUT NOTICE. IT IS CONFIDENTIAL AND A PROPERTY OF Amphenol LTW. DISCLOSURE TO THIRD PARTY HAS TO BE AUTHORIZED BY Amphenol LTW.

Table 1:

P/N.	connector	Cable	White Print
SSL12-P2LP0-MXXFXX	White	White	Without
SSL12-P2LP0-MXXHXX	Black	Black	With

REV.	ECN NO.	DATE	SIGN	DESCRIPTION
A	Initial Release	2017-05-16	Fisher Wang	Rev. 01 to A
B	C210960	2021-06-25	Carl Dong	$\triangle B \times 1$



Pin Out	Wire Color
2	Red 紅
1	Brown 棕

SSL12-P2LP0-MXX X XX

- XX: 1M~99M
- 01: 1M
- 02: 2M
- ...
- 99: 99M
- F: White
- H: Black

- Cable Length Tolerance:
- 01M: ±40mm
 - 02M~06M: ±60mm
 - 06M~10M: ±100mm
 - 11M~30M: ±200mm
 - 31M~99M: ±500mm

- Notes:
- * \textcircled{C} Important Dimension To Check.
 - * Current Rating: 5A
 - * Voltage Rating: 300V DC/AC
 - * Waterproof Rate: IP68(mating)
1M Depth Of Water In 24 Hours.
 - * Housing: Thermoplastic, UL94V-0,
color see table 1.
 - * Terminal: Copper Alloy, Gold Plated.
 - * Gasket: Silicone, Gray.
 - * Seals: Silicone, Gray.
 - * Cable: UL21996, Flat Cable, UV Resistance,
color see table 1.
 - * Temperature Range: -40~+105°C

UNIT: mm	TITLE SSL1.2 2P, PLUG CONN+FLAT CABLE		<h1 style="margin: 0;">Amphenol LTW</h1> <p style="margin: 0;">安費諾亮泰企業股份有限公司</p>		ITEM NO	DRAWN BY Fisher Wang	DATE 2017-05-16		
	±0.5	SCALE Free			SIZE A4	SHEET 1 OF 1	DWG NO SSL12-P2LP0-MXXXXX	CHECKED BY Victor Hung	DATE 2017-05-16
		REV. B			WC-REV. A.7	\textcircled{C} : Inspection item	CUSTOMER ALTW	APPROVED BY Kevin Hu	DATE 2017-05-16

X-ON Electronics

Largest Supplier of Electrical and Electronic Components

Click to view similar products for [Lighting Cables](#) category:

Click to view products by [Amphenol](#) manufacturer:

Other Similar products are found below :

[CL2-EXTEND](#) [96CB-E0605HAA1](#) [ZWF-915-J](#) [68801-4899](#) [68801-2112](#) [68801-2123](#) [68801-4124](#) [68801-4752](#) [68801-4850](#) [ZFS-CH144-12I](#) [96CB-E0405PCA3](#) [96CB-E0405PIC3](#) [96CB-E0605HAB1](#) [SSL11-J2LJ0-022A04](#) [CNXBE4218](#) [1-2058943-7](#) [1-2058943-8](#) [1-2083075-2](#) [1-2083080-1](#) [CNX310-120-X4124](#) [CNX_C_E_4_2_08](#) [CNXBE4118](#) [CNX_310_012_E_4_1_12](#) [2702306](#) [2702307](#) [SSL12-J4FJ0-000001](#) [180888-0405](#) [SSL12-J2LJ0-020F01](#) [180887-0430](#) [1705131](#) [180887-0410](#) [180778-0405](#) [1-2083029-8](#) [SSL12-J4LJ0-020H01](#) [180778-0430](#) [SSL12-P4LP0-M20H01](#) [SSL12-P4LP0-M20F01](#) [SSL12-P2LP0-M20F01](#) [SSL12-J4LJ0-020F01](#) [SSL11-J2LJ0-B22A04](#) [4804](#) [68801-4037](#) [68801-4039](#) [68801-4053](#) [68801-4055](#) [68801-4057](#) [68801-4059](#) [68801-4061](#) [960026](#) [2-2083030-2](#)