 Advanced Sensor	Document Type DATA SHEET	Part No. SUF005A001	
	Product Name Dual Solar Sensor	Revision No 00	Page No 1 (3)

Dual Solar Sensor



Applications

The dual solar sensor is mounted on the dash panel near the front window. It uses two photodiode cells to measure the intensity of solar radiation and give electric information which is proportional to the calorific power and representative for the intensity of that. And then feeds it back to the automatic temperature control (ATC) unit of the vehicle's air conditioning system. The air temperature of the driver side and passenger side are then automatically adjusted up or down, depending upon the amount of light entering both sides into the vehicle.

Features

- Fast response time
- Easy to install
- Linear response to sun light intensity
- Horizon to horizon visibility
- Narrow signal tolerance

1. Solar Sensor Specification

- Operating Temp. Range : -30°C to 100°C
- Storage Temp. Range : -40°C to 110°C
- Sensor output current : 0.145mA±15% (at $\Phi = -90^\circ/90^\circ$, $\theta = 40^\circ$)
[2856K Standard A light source, 31.5 (mW/cm²) or 14,040 (LUX)]

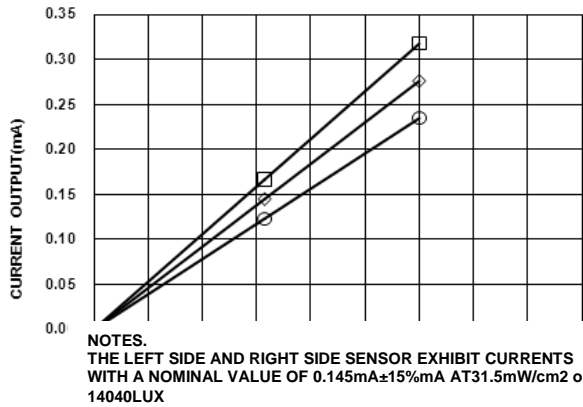
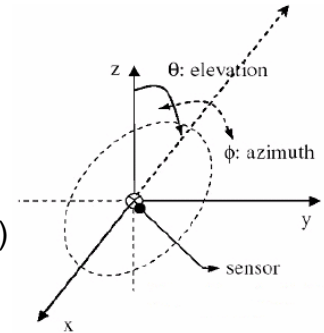


Fig 1. Current output vs. Light level.

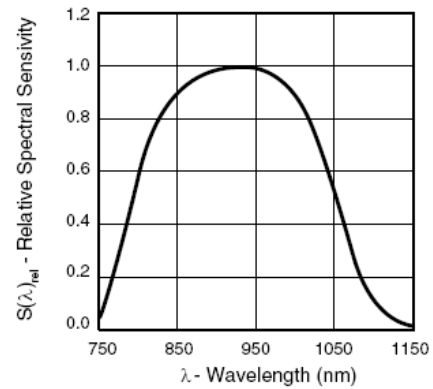


Fig 2. Relative Sensitivity vs. wavelength

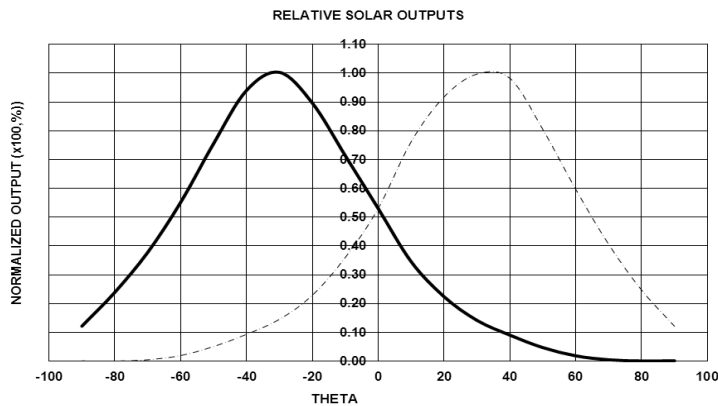


Fig 3. Relative Solar Output

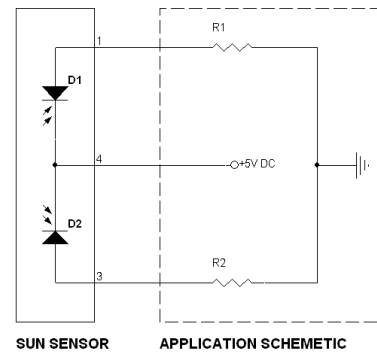
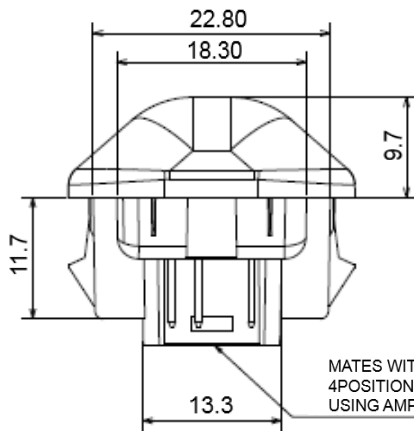
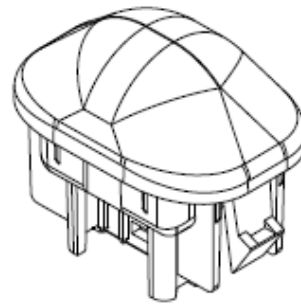
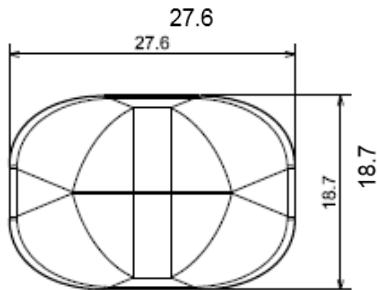
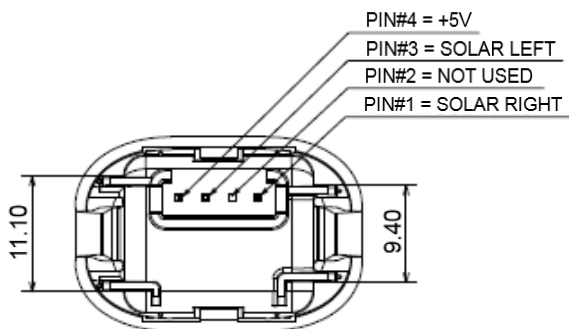
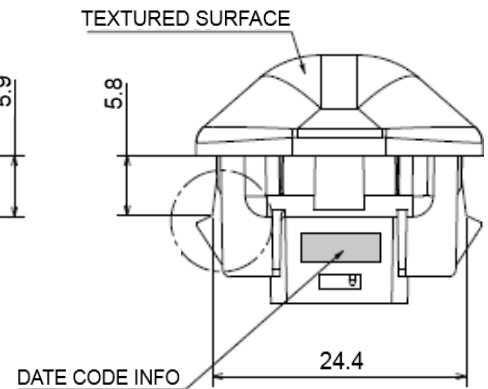
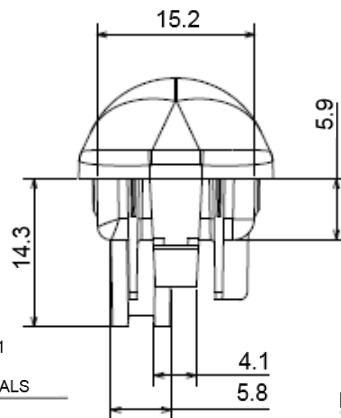


Fig 4. Application Schematic Example

2. Dimension



MATES WITH AMP 1241680-1
4 POSITION CONNECTOR
USING AMP 167418 TERMINALS



X-ON Electronics

Largest Supplier of Electrical and Electronic Components

Click to view similar products for [Photoelectric Sensors](#) category:

Click to view products by [Amphenol](#) manufacturer:

Other Similar products are found below :

[7442AD2X5FRX](#) [EX-19B-LP](#) [EX-19SB-PN](#) [7443AR0X5FRX](#) [7452AD4D4NNX](#) [F3WD052C5M](#) [7655AR-04-F-1-2-RX](#) [7694ADE04DS2X](#)
[FE7C-FRC6S-M](#) [FX-305](#) [PM-R24-R](#) [Q45VR2FPQ](#) [13104RQD07](#) [E3JUXM4MN](#) [E3L2DC4](#) [E3S3LE21](#) [E3SCT11M1J03M](#) [E3SDS20E21](#)
[E3VDS70C43S](#) [E3XNM16](#) [BR23P](#) [HOA6563-001](#) [OJ-3307-30N8](#) [OS-311A-30](#) [P32013](#) [P34036](#) [P43004](#) [P56001](#) [P60001](#) [PB10CNT15PO](#)
[S14132](#) [935286-000](#) [S52101](#) [S56258](#) [SH-21E](#) [EX-L261-P](#) [FD-SN500](#) [FE7B-FDRB6-M](#) [SU-79](#) [T36342](#) [T40300](#) [T60001](#) [PD60CNX20BP](#)
[FX2-A3R](#) [FX-302-HY](#) [FZS](#) [PM-T64W](#) [PX-22](#) [PZ2-51P](#) [CX-491-P-J](#)