



## HOW TO ORDER CUSTOM DRAWING

T-16 SH + DRAWING NUMBER (Max. 16 digits)

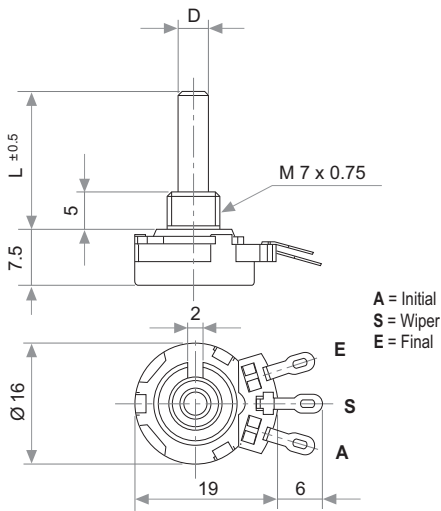
This way of ordering should be used for options which are not included in the "How to order" standard and optional extras.

## STANDARD OPTIONS

Shaft length ..... 0 standard length  
 Detents ..... Not included  
 Stereo matching ..... Only for model "T" and upon request  
 Switch ..... No switch  
 Nut & washer ..... Without nut and washer

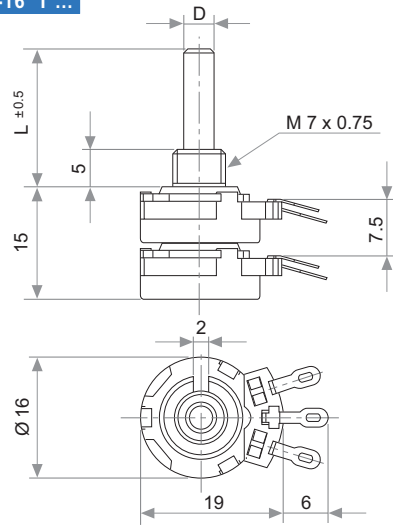
## MODELS WITH METALIC SHAFTS

T-16 S ...



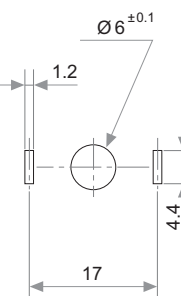
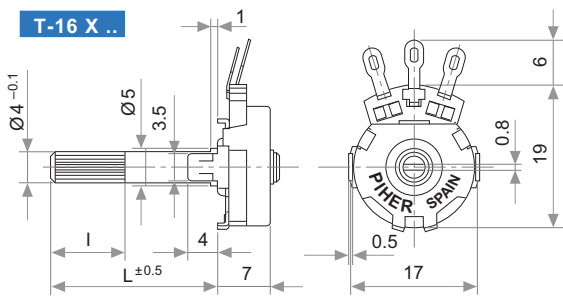
A = Initial  
 S = Wiper  
 E = Final

T-16 T ...

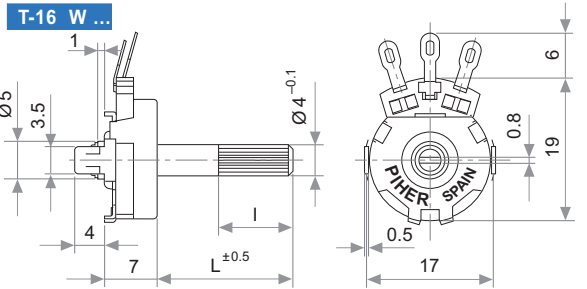


## MODELS WITH PLASTIC SHAFTS

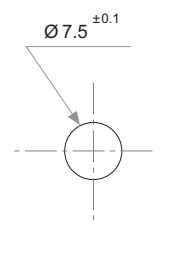
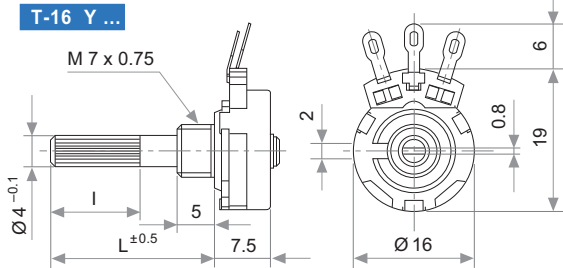
T-16 X ...



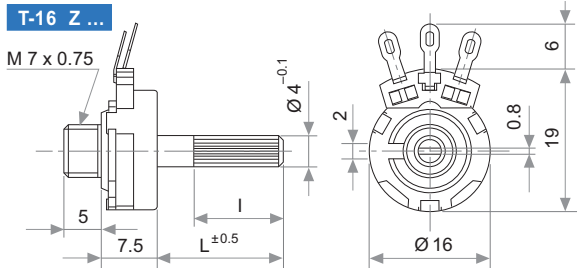
T-16 W ...



T-16 Y ...

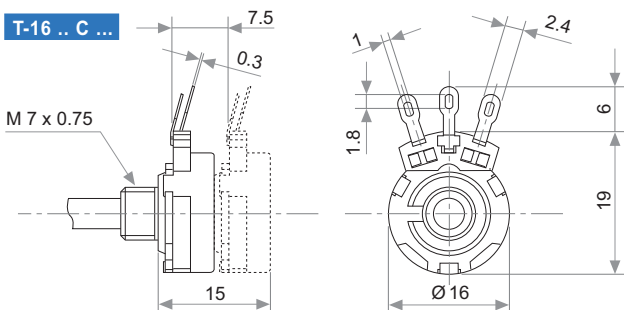


T-16 Z ...

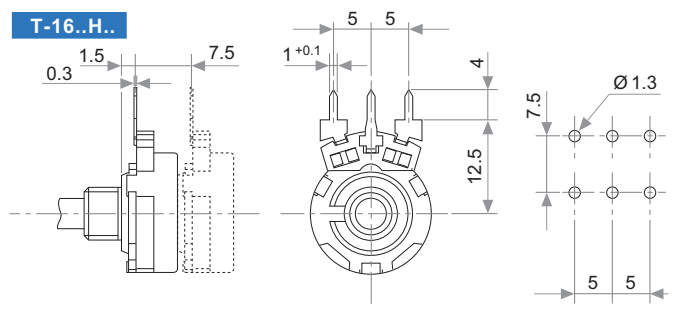


## TERMINALS

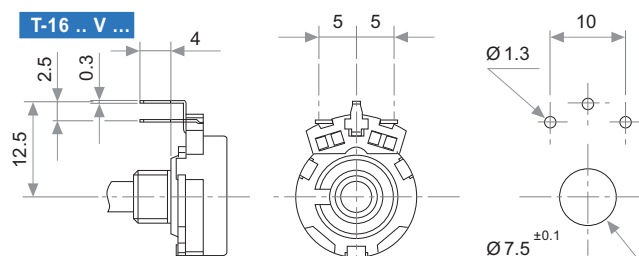
T-16 .. C ...



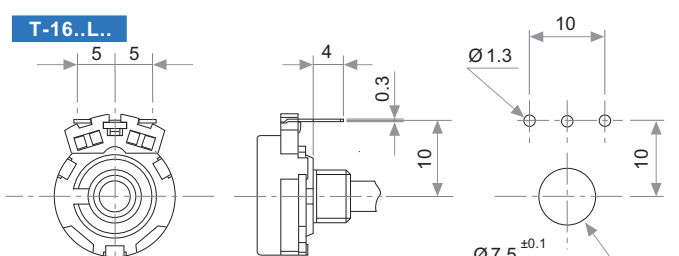
T-16..H..



T-16 .. V ...



T-16..L..



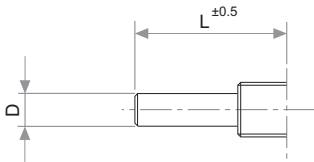
## PLASTIC SHAFTS

T-16 X / Y Without Switch				
T-16 X		T-16 Y		CODE
L	I	L	I	
2	—	—	—	P01
21	12	20.5	12	P02
24.5	15	24	15	P03
40	31	39.5	31	P04

T-16 W / Z Without Switch		
T-16 W & T-16 Z	CODE	
L	I	
9.5	5	P05
23.5	19	P06
40	35	P07

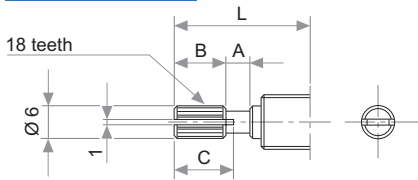
## METALIC SHAFTS

### PLAIN SHAFT



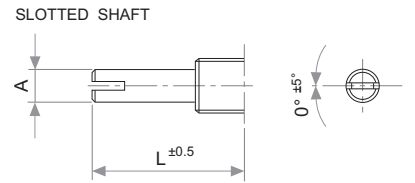
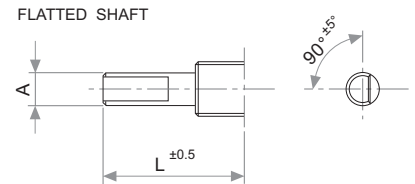
D	L	CODE
3	30	M03
4	40	M04
6	40	M06
6.25	40	M07
3/4	40/30	M05

### KNURLED SHAFT



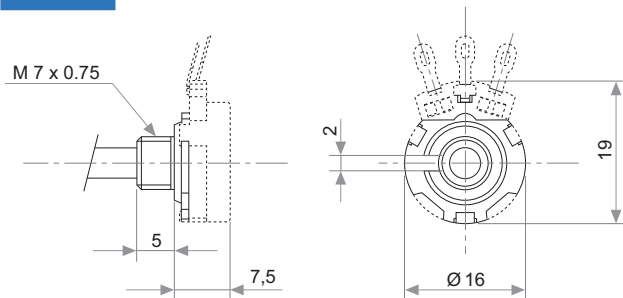
L	A	B	C	CODE
15	2	6	7	M11
20	2	10	11	M12
25	4	12	14	M13
30	4	12	14	M14
35	4	12	14	M15
40	4	12	14	M16

### UNDER DRAWING

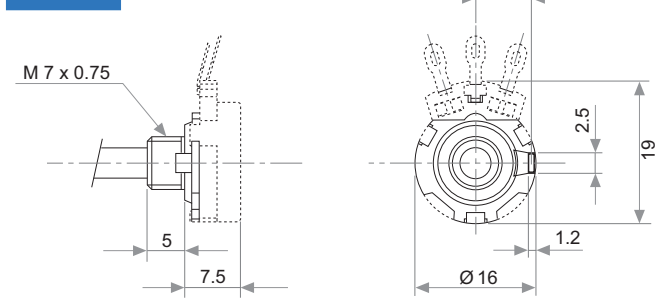


## BUSHINGS

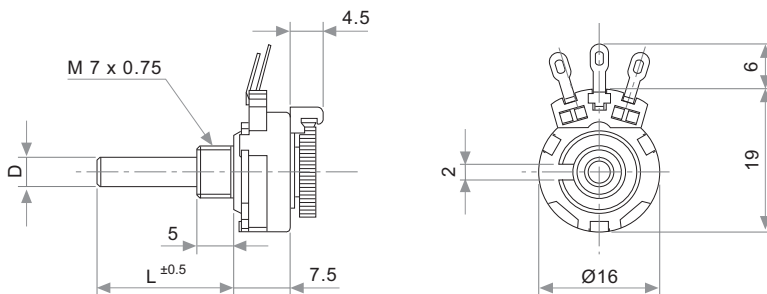
### T-16 .. N ...



### T-16 .. U ...



## DETENTS

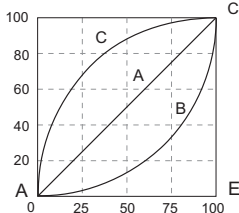


CODE	DETENTS
01 P.	1 detent (at 50%)
11 P.	11 detents
41 P.	41 detents

Only models with metallic shaft.

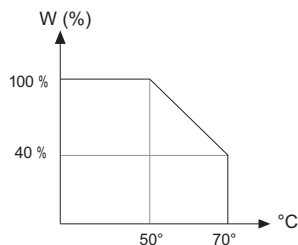
## TAPERS

Standard

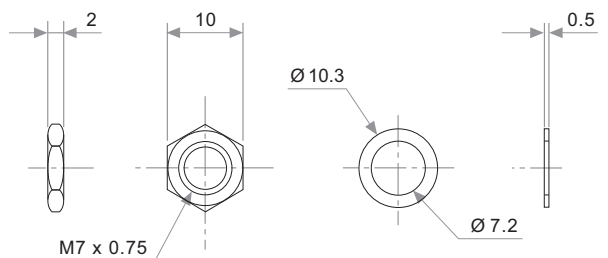


A: Lin.  
B: Log.  
C: Alog.

## POWER RATING CURVE



## NUT & WASHER

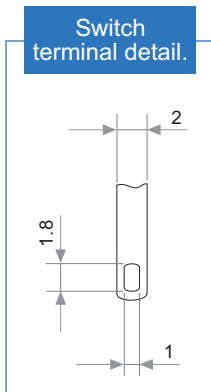
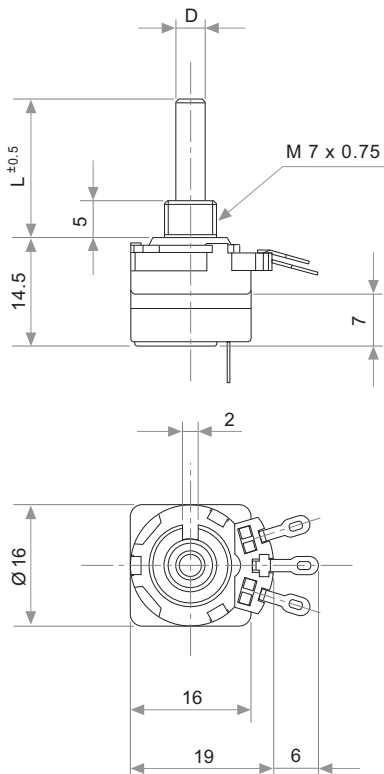


TESTS		TYPICAL VARIATIONS
ELECTRICAL LIFE	1.000 h.@ 50°C; 0.20 W	± 5 %
MECHANICAL LIFE : POT. SWITCH	25.000 (10–15 CPM) 10.000 (1A, 50 VAC)	± 3 % (Rn < 1 MΩ)
TEMPERATURE COEFFICIENT	-25°C; +70°C	± 300 ppm (Rn < 100 K)
THERMAL CYCLING	16 h. @ 85°C; 2h. @ -25°C	± 2.5 %
DAMP HEAT	500 h. @ 40°C @ 95% HR	± 5 %
VIBRATION (each plane X,Y,Z)	2 h. @ 20 g. 10 Hz ... 55 Hz.	± 2 %

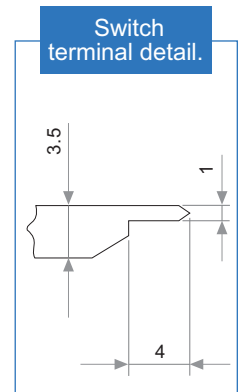
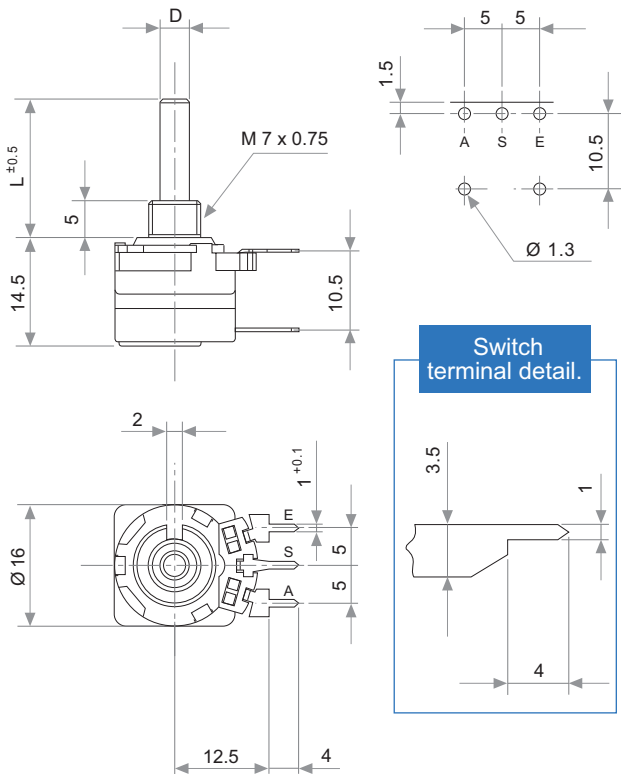
NOTE: Out of range values may not comply these results.

## SWITCH

T-16..C..C



T-16..H..I



## SWITCH SPECIFICATIONS

NOMINAL CURRENT	1A, 250 VAC
CONTACT RESISTANCE (Initial)	10mΩ
OPERATING TORQUE	1 to 3 Ncm (1.4 to 4.2 in-oz)
OPERATING ANGLE	30° ± 5°
TEST VOLTAGE	500 V

## PACKAGING

MODEL	PACKAGING
T 16 – L = 40 mm.	400 UNITS IN BOX
T 16 – L = 20 mm.	600 UNITS IN BOX
T 16 – c/i – Tandem	200 UNITS IN BOX

## **X-ON Electronics**

Largest Supplier of Electrical and Electronic Components

*Click to view similar products for [Amphenol manufacturer](#):*

Other Similar products are found below :

[000-1075](#) [000-11050](#) [000-12650](#) [000-14000](#) [000-15875](#) [000-16050](#) [000-16075](#) [000-16750](#) [000-18225](#) [000-18750](#) [000-27000](#) [000-27025](#)  
[000-27075](#) [000-27975](#) [000-28000](#) [000-2900](#) [000-29100](#) [000-32225](#) [000-34000](#) [000-34025](#) [000-34025-RFX](#) [000-34125](#) [000-34450](#) [000-34475](#) [000-34525](#) [000-35275](#) [000-35650-51](#) [000-35650-75](#) [000-36650-3RFX](#) [000-36775](#) [000-36800](#) [000-36800-RFX](#) [000-36825](#) [000-36875](#)  
[000-4400](#) [000-4500](#) [000-46650-51](#) [000-46650-51RFX](#) [000-46650-75RFX](#) [000-46650-93RFX](#) [000-47000](#) [000-4700-51](#) [000-47025](#) [000-49000](#) [000-49000-RFX](#) [000-5275](#) [000-53100](#) [000-53100-1004](#) [000-53150](#) [000-53225](#)