

FEATURES

- Carbon resistive element.
- High mechanical endurance.
- Upon request:
 - Detents
 - Stereo matching
 - Switch
 - Nut & washer

MECHANICAL SPECIFICATIONS

- Mechanical rotation angle: $300^\circ \pm 5^\circ$
- Electrical rotation angle: $280^\circ \pm 20^\circ$
- Torque: 0.5 to 1.5 Ncm.
(0.7 to 2.1 in-oz)
- Stop torque: > 40 Ncm. (> 56 in-oz)

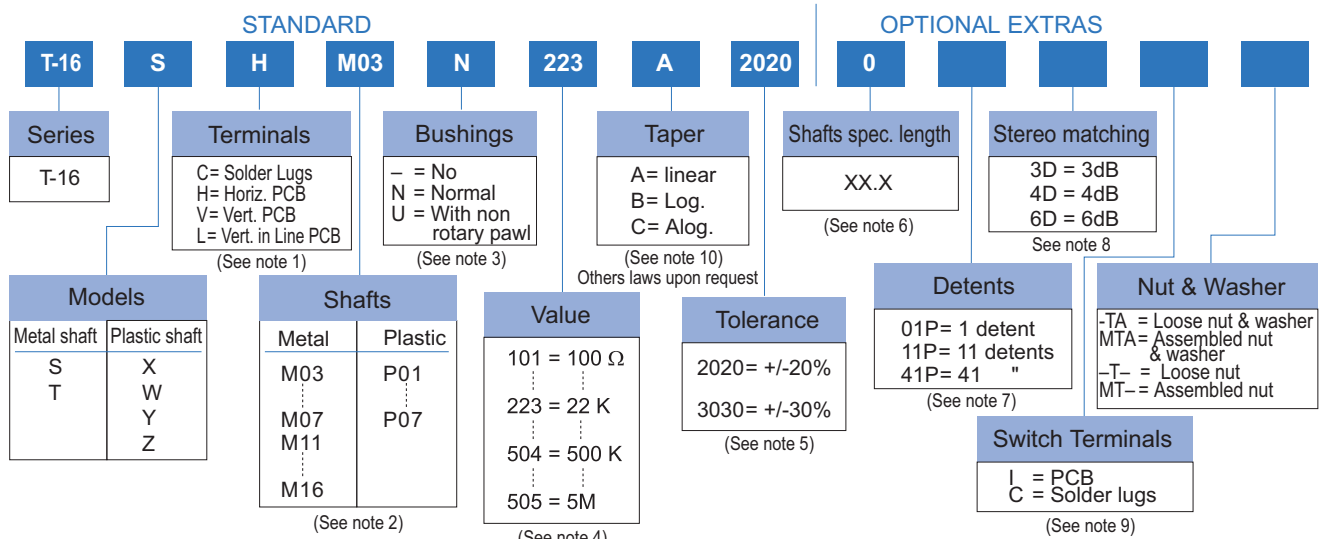
ELECTRICAL SPECIFICATIONS

- Range of values (*)
 $100\Omega \leq R_n \leq 5\text{ M}$ (Decad. 1.0 - 2.0 - 2.2 - 2.5 - 4.7 - 5.0)
- Tolerance (*): $100\Omega \leq R_n \leq 1\text{M}\Omega$ $\pm 20\%$
 $1\text{M}\Omega < R_n \leq 5\text{M}\Omega$ $\pm 30\%$
- Max. Voltage: 250 VDC (lin) 125 VDC (no lin)
- Nominal Power 50°C (122°F) (see power rating curve)
0.2 W (lin) 0.1 W (no lin)
- Taper (*) (Log. & Alog. only $R_n > 1\text{K}$) Lin ; Log; Alog.
- Residual resistance(*): $\leq 0.5\% R_n$ (5 Ω min.)
- Equivalent Noise Resistance: $\leq 3\% R_n$ (3 Ω min.)
- Operating temperature**: $-25^\circ\text{C} + 70^\circ\text{C}$ ($-13^\circ\text{F} + 158^\circ\text{F}$)

* Others upon request

** Up to 85°C depending on application

HOW TO ORDER



NOTES:

- (1) Terminals: Model T is not available with terminals "V" or "L".
- (2) Shafts: The codes indicate diameter and length. Shaft M05 only for double potentiometer.
- (3) Bushings: - = Only for potentiometer model X, W, U = Standard antirotation lugs (at 90° CW).
- (4) Value:
 - Code: $\frac{10}{1} \frac{100}{\Omega}$ → Number of zeros, 2 first digits of the value.
 - In model "T" with different values, ask by drawing.
- (5) Tolerance (non standard), upon request. Example code: $\frac{+15}{-20}$
- (6) Shafts length:
 - Only for special length and plain shafts (not knurled). Example: Shaft $\varnothing 6,25$ L= 24.5 M07 24.5 → Shafts length shafts
 - Flatted and slotted shafts, etc. will need drawings.
 - NOTE: Max. length 40 mm. (shafts 4, 6, 6.25)
- (7) Detents: - Not available for models with plastic shaft X, W, Y, Z. - Detents and switch are not compatible.
- (8) Stereo matching: Only available in tandem models and upon request.
- (9) Switch: Not available for models X, W, Y, Z, T.
- (10) Switch option not available with antilog taper.

NOTE: The information contained here should be used for reference purposes only.

HOW TO ORDER CUSTOM DRAWING

T-16 SH + DRAWING NUMBER (Max. 16 digits)

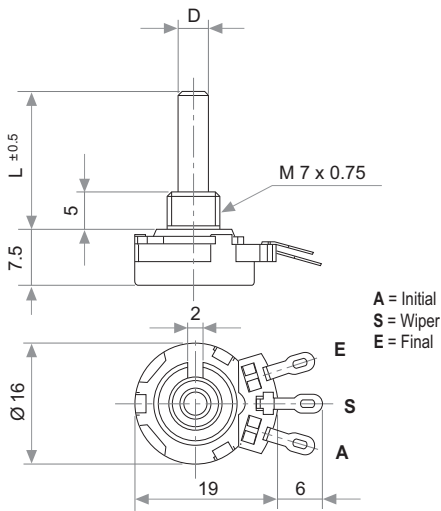
This way of ordering should be used for options which are not included in the "How to order" standard and optional extras.

STANDARD OPTIONS

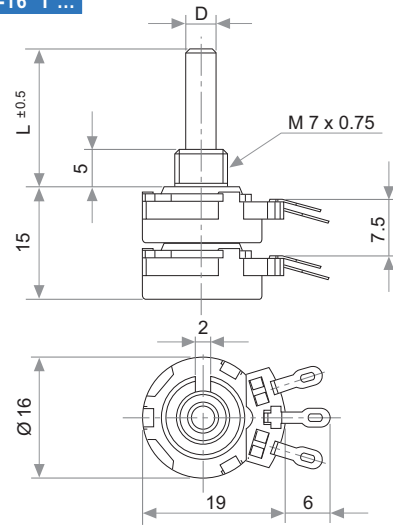
Shaft length 0 standard length
 Detents Not included
 Stereo matching Only for model "T" and upon request
 Switch No switch
 Nut & washer Without nut and washer

MODELS WITH METALIC SHAFTS

T-16 S ...

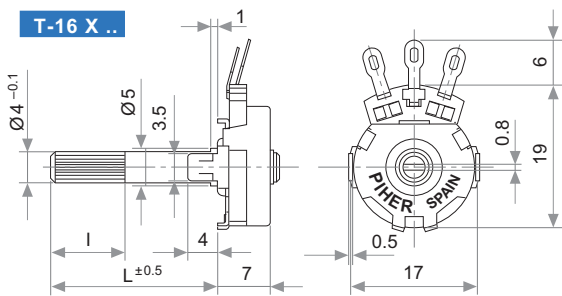


T-16 T ...

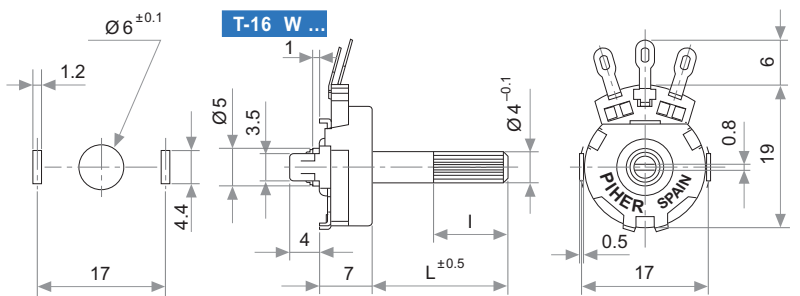


MODELS WITH PLASTIC SHAFTS

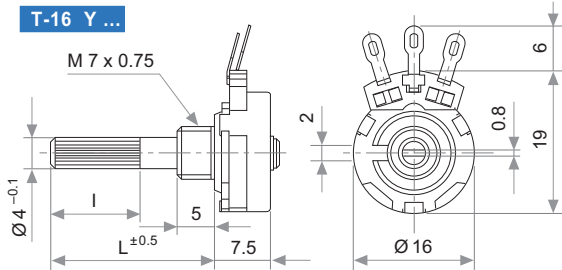
T-16 X ...



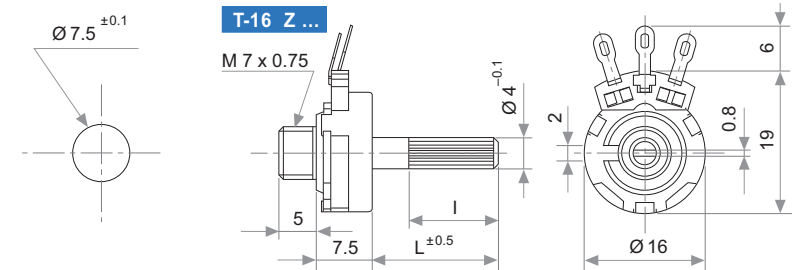
T-16 W ...



T-16 Y ...

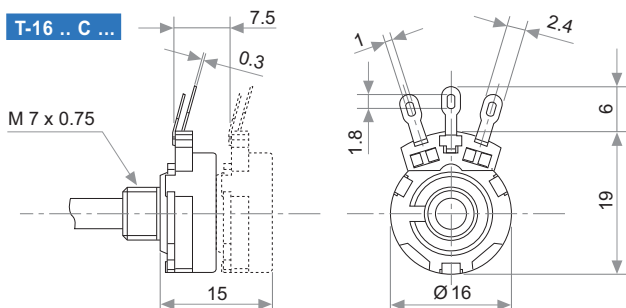


T-16 Z ...

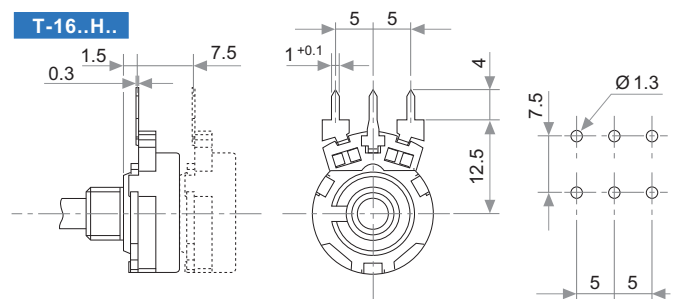


TERMINALS

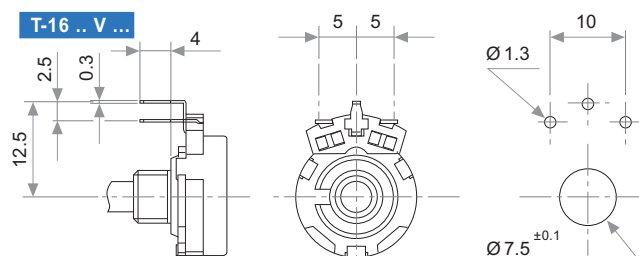
T-16 .. C ...



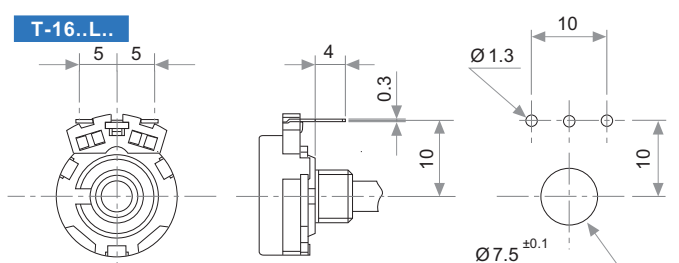
T-16..H..



T-16 .. V ...



T-16..L..



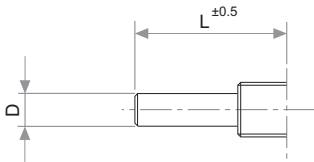
PLASTIC SHAFTS

T-16 X / Y		Without Switch		CODE
T-16 X		T-16 Y		
L	I	L	I	
2	—	—	—	P01
21	12	20.5	12	P02
24.5	15	24	15	P03
40	31	39.5	31	P04

T-16 W / Z		Without Switch	CODE
T-16 W	& T-16 Z		
L	I		
9.5	5		P05
23.5	19		P06
40	35		P07

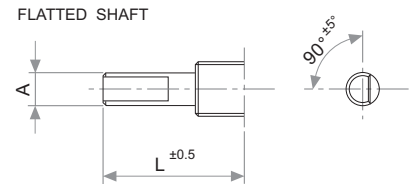
METALIC SHAFTS

PLAIN SHAFT

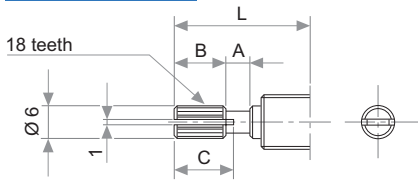


D	L	CODE
3	30	M03
4	40	M04
6	40	M06
6.25	40	M07
3/4	40/30	M05

UNDER DRAWING

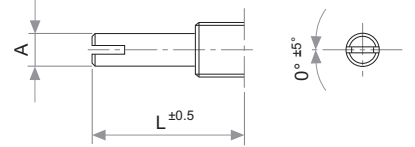


KNURLED SHAFT



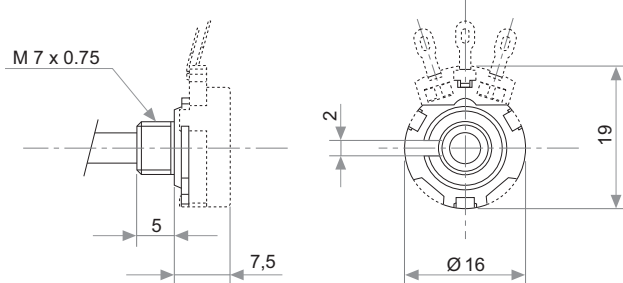
L	A	B	C	CODE
15	2	6	7	M11
20	2	10	11	M12
25	4	12	14	M13
30	4	12	14	M14
35	4	12	14	M15
40	4	12	14	M16

SLOTTED SHAFT

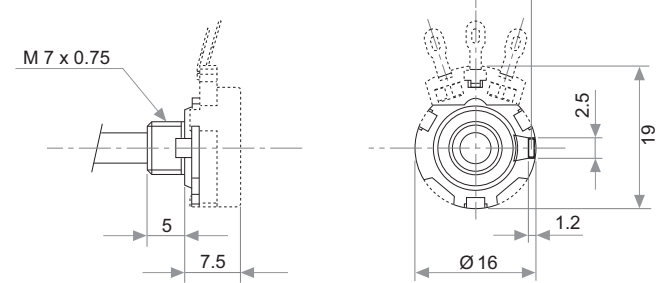


BUSHINGS

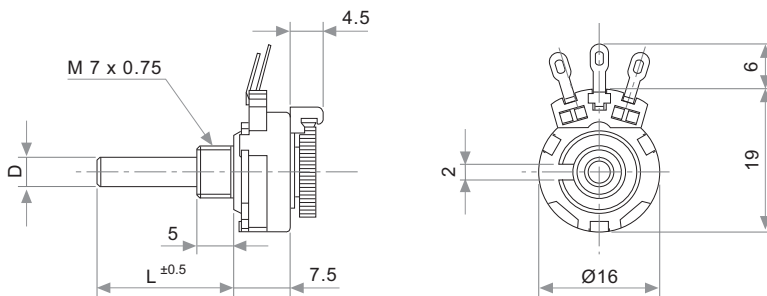
T-16 .. N ...



T-16 .. U ...



DETENTS

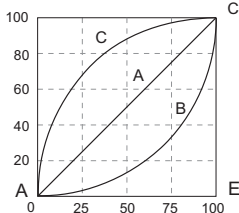


CODE	DETENTS
01 P.	1 detent (at 50%)
11 P.	11 detents
41 P.	41 detents

Only models with metallic shaft.

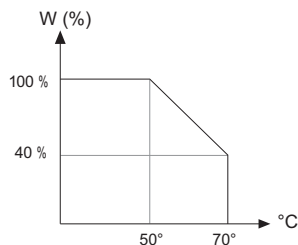
TAPERS

Standard

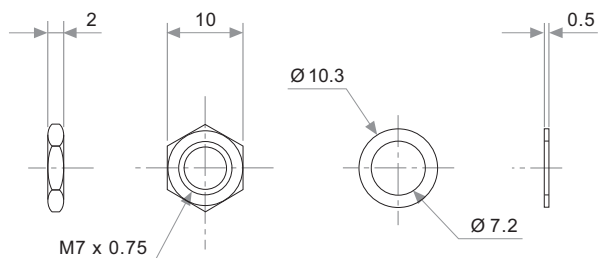


A: Lin.
B: Log.
C: Alog.

POWER RATING CURVE



NUT & WASHER

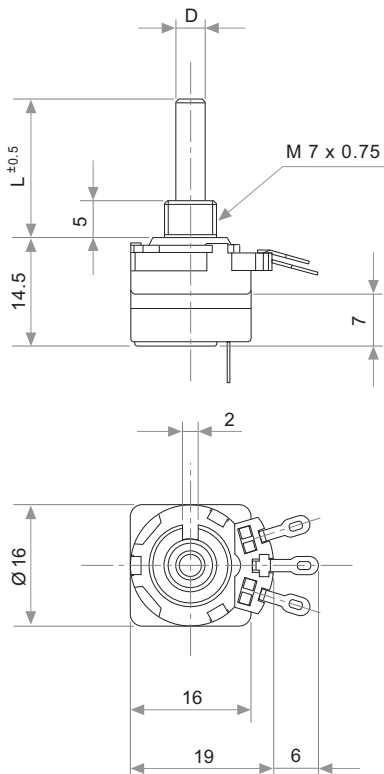


TESTS		TYPICAL VARIATIONS
ELECTRICAL LIFE	1.000 h.@ 50°C; 0.20 W	± 5 %
MECHANICAL LIFE : POT. SWITCH	25.000 (10–15 CPM) 10.000 (1A, 50 VAC)	± 3 % (Rn < 1 MΩ)
TEMPERATURE COEFFICIENT	-25°C; +70°C	± 300 ppm (Rn < 100 K)
THERMAL CYCLING	16 h. @ 85°C; 2h. @ -25°C	± 2.5 %
DAMP HEAT	500 h. @ 40°C @ 95% HR	± 5 %
VIBRATION (each plane X,Y,Z)	2 h. @ 20 g. 10 Hz ... 55 Hz.	± 2 %

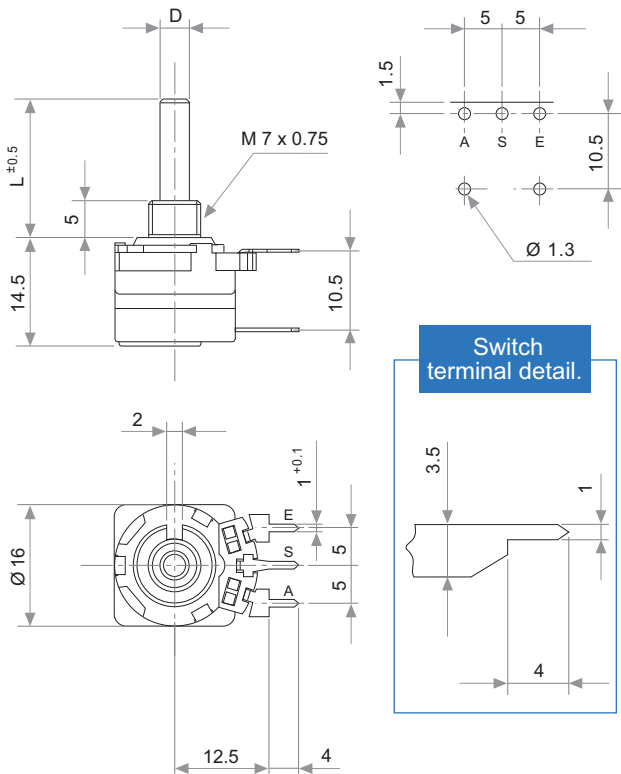
NOTE: Out of range values may not comply these results.

SWITCH

T-16..C..C



T-16..H..I



SWITCH SPECIFICATIONS

NOMINAL CURRENT	1A, 250 VAC
CONTACT RESISTANCE (Initial)	10mΩ
OPERATING TORQUE	1 to 3 Ncm (1.4 to 4.2 in-oz)
OPERATING ANGLE	30° ± 5°
TEST VOLTAGE	500 V

PACKAGING

MODEL	PACKAGING
T 16 – L = 40 mm.	400 UNITS IN BOX
T 16 – L = 20 mm.	600 UNITS IN BOX
T 16 – c/i – Tandem	200 UNITS IN BOX

X-ON Electronics

Largest Supplier of Electrical and Electronic Components

Click to view similar products for [Amphenol manufacturer](#):

Other Similar products are found below :

[135-2801-025](#) [151-2831-037](#) [159-2801-215](#) [TRX10GDP0311A1](#) [68000-236H](#) [10099114-001LF](#) [191-3005-068](#) [193-2829-034](#) [MA1RAE1701](#)
[193-2829-040](#) [PT05E14-5P-027](#) [PT05E128S027](#) [PT02E-14-19PX-\(025\)](#) [LJT06RT9-35S-014-LC](#) [C146-10B016-002-1](#) [LJT06RT-15-](#)
[35P\(023\)\(LC\)](#) [97-3108A-20-19S](#) [RJSNEGF88A8](#) [RJSNEGF84A8](#) [MS318110C](#) [UTXCFA4AM](#) [U77A111430LT](#) [1010026982](#) [10044002-](#)
[004LF](#) [10099115-002LF](#) [H4CPM4DI](#) [JPEPL5371CR](#) [10-405996-202](#) [89947-706LF](#) [89947-722LF](#) [PCL150107](#) [600964](#) [M12A-08PFFP-](#)
[SF8002](#) [61082-181402LF](#) [CS3106A-18-73S](#) [62GB16F0804SE](#) [62GB-5016-10-06SF](#) [62GB56TG1402PN044](#) [62GB56TG1404SN](#)
[CTV06RQF-17-22PA-LC](#) [CTV06RQF-19-18SC](#) [CTV06RQF-19-18SC-LC](#) [M39012/56-3006](#) [CTV06RQF-21-75S-LC](#) [CTV06RQF-23-6SD](#)
[M39012/61-3001](#) [CTV06RW-13-98SD-LC](#) [CTV06RW-15-19PA-LC](#) [CTV06RW-17-35PA\(LC\)](#) [CTV06RW-17-6JE](#)